

THIS DRAWING IS UNPUBLISHED.

RELEASED FOR PUBLICATION

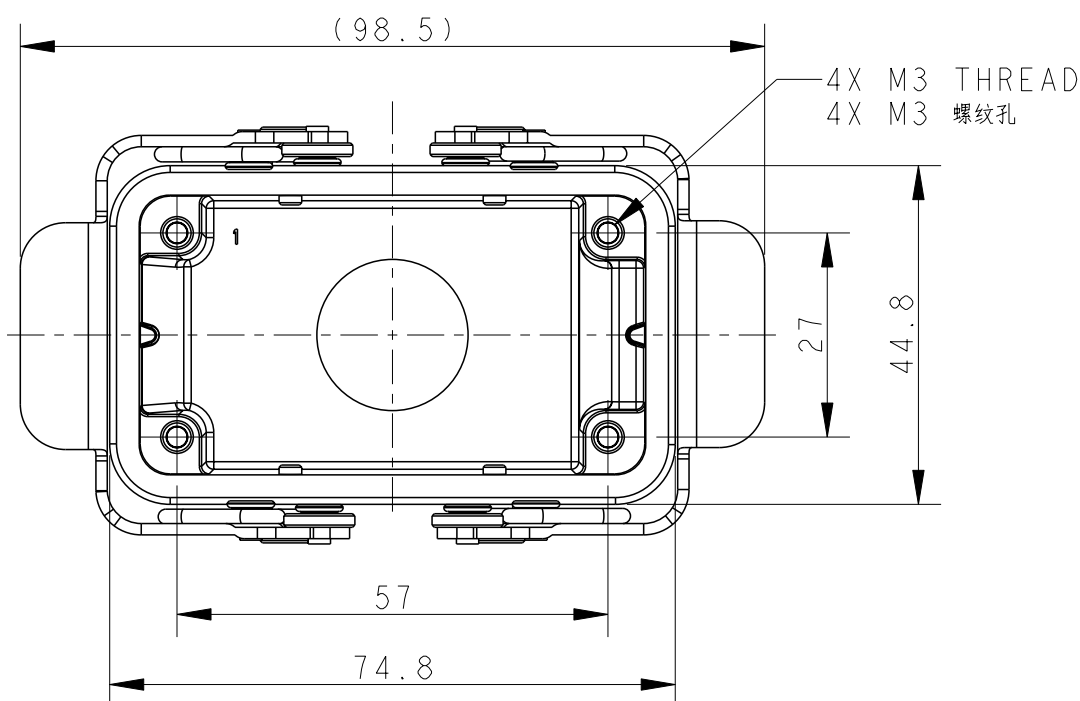
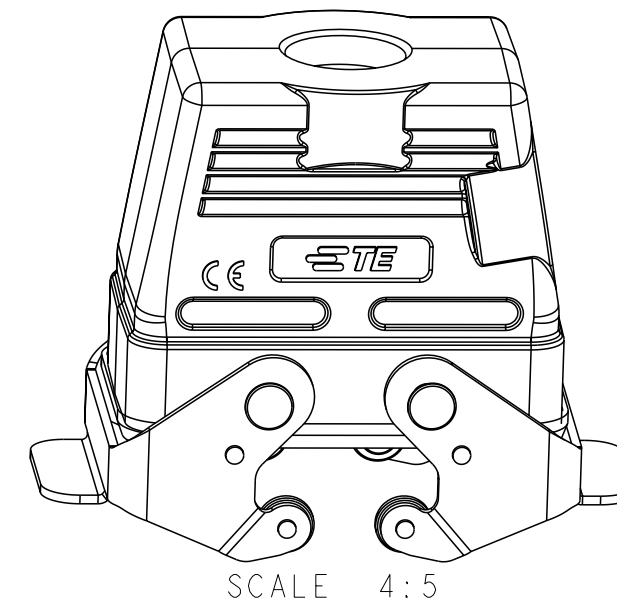
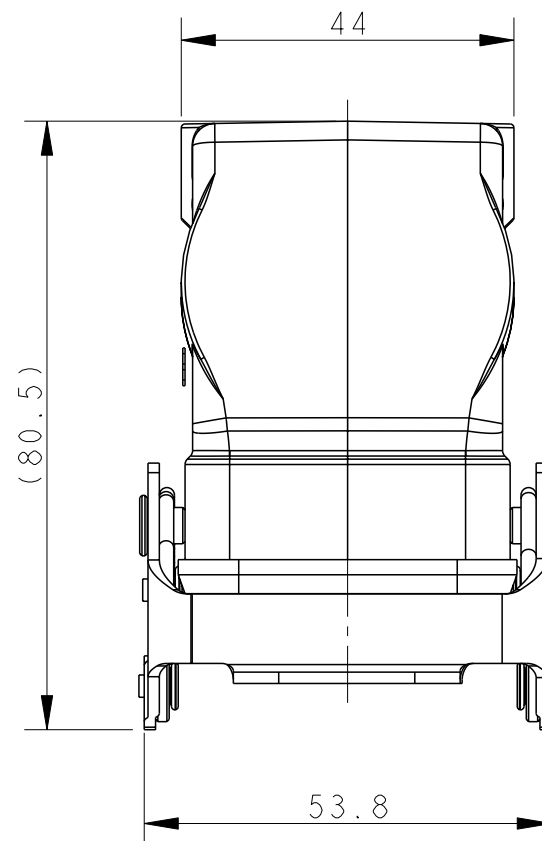
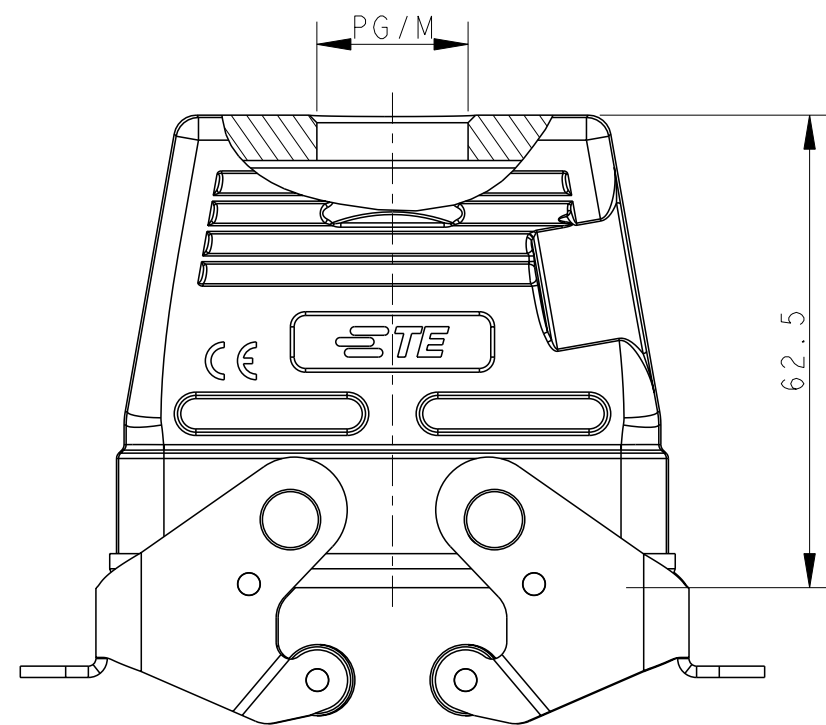
20

© COPYRIGHT 20 BY -

ALL RIGHTS RESERVED.

REVISIONS

P	LTR	DESCRIPTION	DATE	DWN	APVD
	A	INITIAL RELEASE	08JUL2015	DL	CW
	B	ECR-20-008181	21JUL2020	WQR	CW
	BI	ECR-21-103925	07JUN2021	WQR	CW



NOTES:

- 1. TECHNICAL CHARACTERISTICS:
 BODY MATERIAL: DIE CAST ALUMINIUM ALLOY
 SURFACE TREATMENT: POWDER-COATED, GRAY
 DEGREE OF PROTECTION: IP65 (MATED)

注释:

- 1. 技术参数:
 主体材料: 铝合金
 表面处理: 粉末喷涂, 灰色
 防护等级: IP65(配合)

T1710101116-000	H10B-TBFS-PG16	PG16
T1710101120-000	H10B-TBFS-M20	M20
T1710101125-000	H10B-TBFS-M25	M25
ASSEMBLY PART NUMBER	ASSEMBLY PART DESCRIPTION	PG/M

THIS DRAWING IS A CONTROLLED DOCUMENT.		DWN 08JUL2015 DAVID LI	TE Connectivity	
DIMENSIONS: mm		CHK 08JUL2015 CHRIS WANG		
TOLERANCES UNLESS OTHERWISE SPECIFIED:		APVD 08JUL2015 XU XIANG	NAME H10B-TBFS-PG/M	
		PRODUCT SPEC 108-137013	RESTRICTED TO	
MATERIAL TBD		APPLICATION SPEC 114-137013	SIZE A3	CAGE CODE -
FINISH -		WEIGHT -	DRAWING NO C-T17101011XX000	SCALE 1:1
		CUSTOMER DRAWING	SHEET 1	OF 1
			REV BI	

printed on 17 Jun 2021 10:52 (China Standard Time) from TE343646

A

A

D

D

C

B

单击下面可查看定价，库存，交付和生命周期等信息

[>>TE Connectivity\(泰科\)](#)