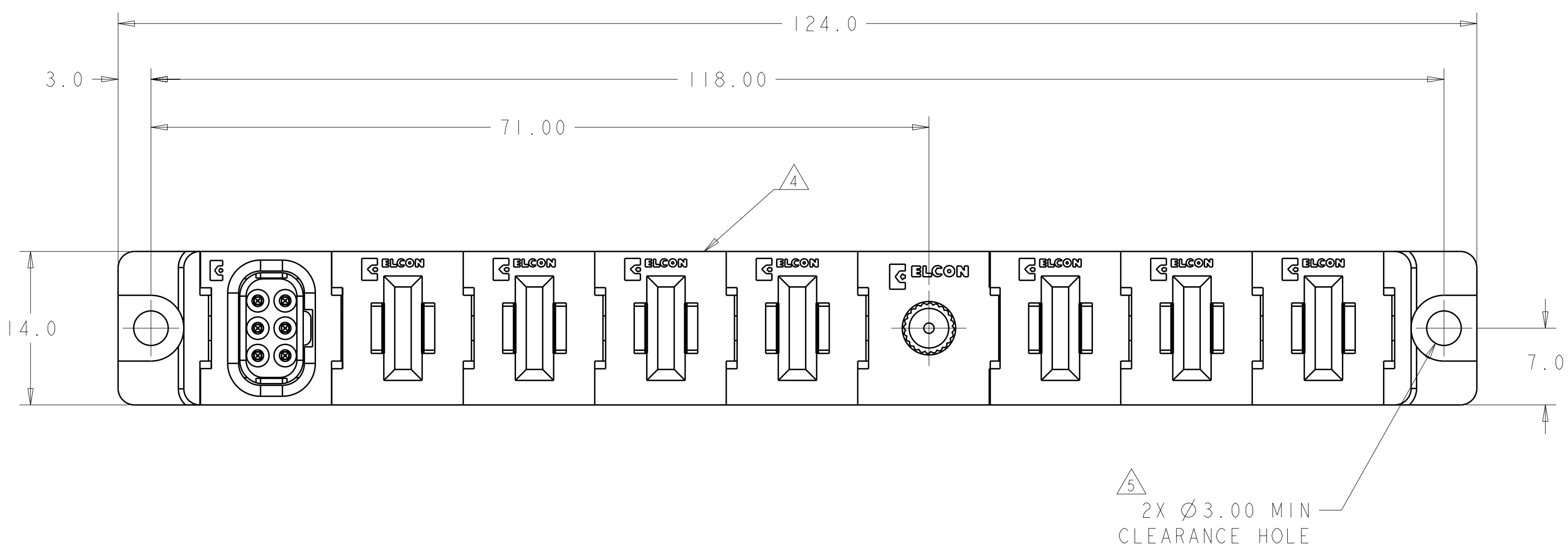


LOC	DIST	REVISIONS					
GP	00	P	LTR	DESCRIPTION	DATE	DWN	APVD
		A		NEW RELEASE	11SEP2007	RG	PD
		B		REV PER ECO-11-020831	13SEP2011	RG	MS



1. PART NUMBER CHANGES AND OR DESIGN CHANGES AFFECTING ITEM INTERCHANGEABILITY REQUIRE PRIOR TYCO ELECTRONICS APPROVAL AND AUTHORIZATION BY REVISION TO THIS DRAWING.

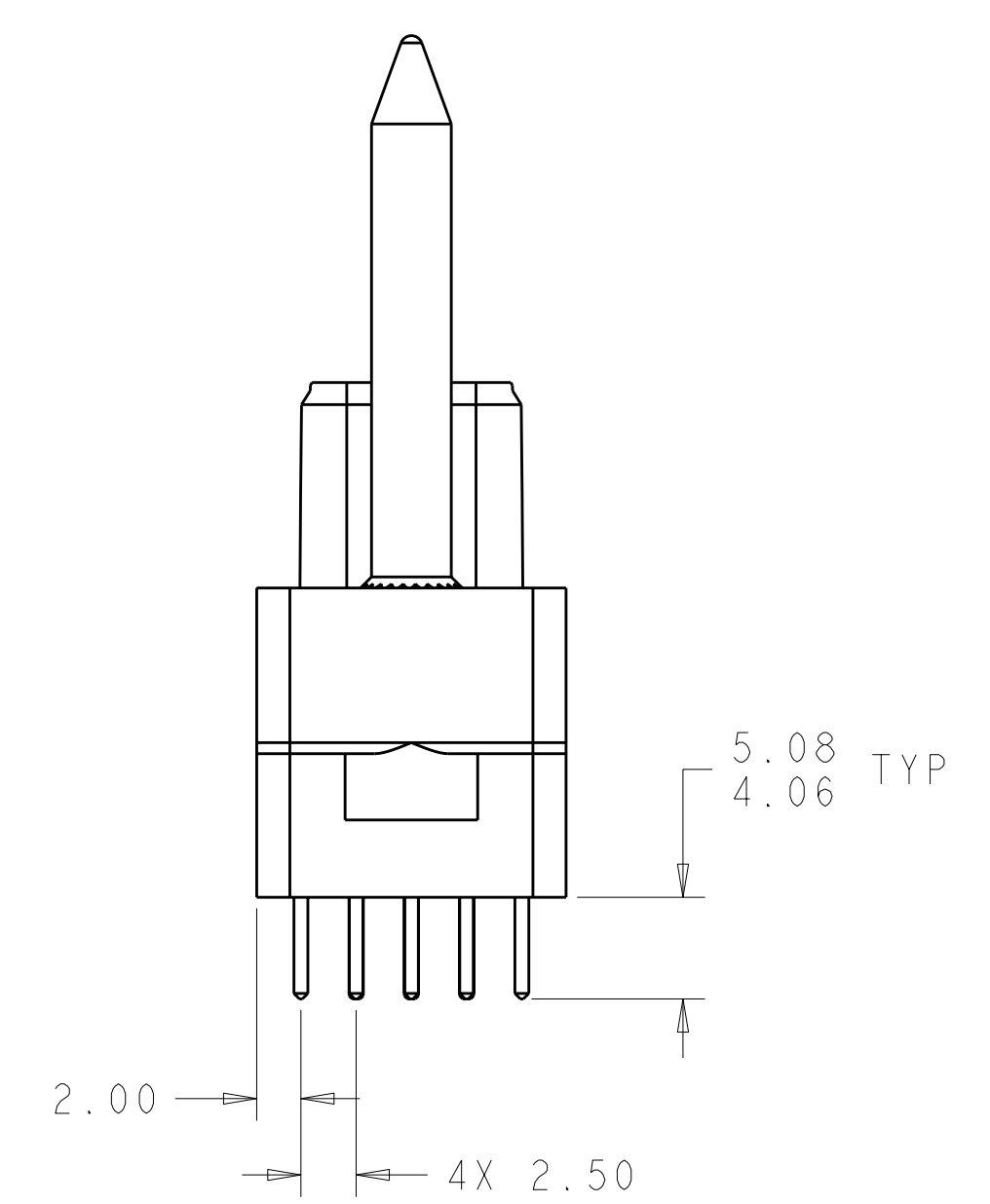
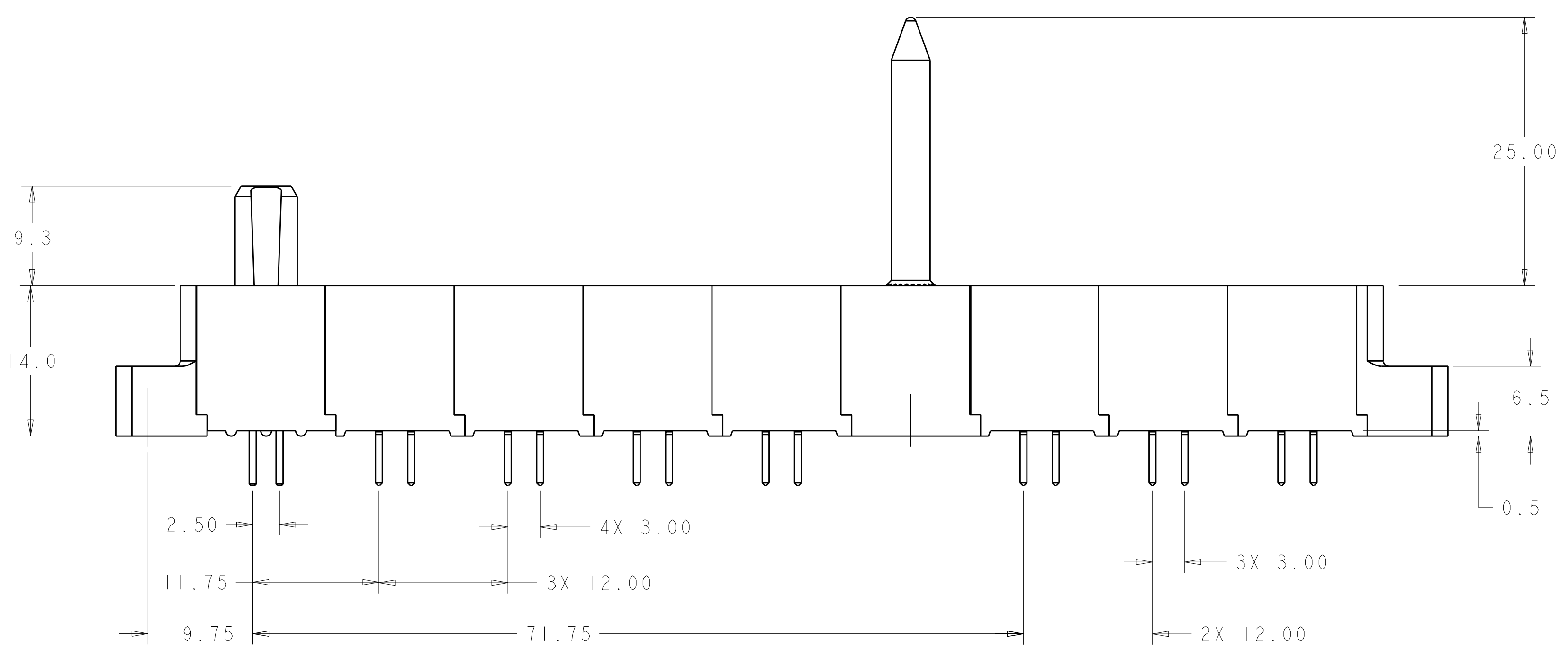
2 MATERIAL: INSULATORS - THERMOPLASTIC, GLASS REINFORCED, COLOR: BLACK UL94V-0 FLAMMABILITY RATED.  
 POWER CONTACTS - PHOSPHOR BRONZE ALLOY, COPPER ALLOY  
 SOLDER SIGNAL PIN - BRASS ALLOY  
 CROWN BAND-BERYLLIUM COPPER ALLOY  
 GUIDE PIN-BRASS ALLOY

3 FINISH: CONTACTS - GOLD PLATE 0.76µm MIN. THK., OVER NICKEL 1.27µm MIN. THK  
 SOLDER TAILS, TIN 3.05µm MIN. THK.  
 OVER NICKEL 1.27µm MIN. THK.  
 GUIDE PIN - NICKEL PLATE 1.27µm MIN THK.

4 ITEMS PROVIDED TO THIS SPECIFICATION TO BE PERMANENTLY IDENTIFIED PER THE FOLLOWING IDENTIFIER LABEL

YEAR 1 WEEK 1  
 TYCO ELECTRONICS P/N DATE CODE (e.g. 0106)  
 XXXXXXX-X XXXX

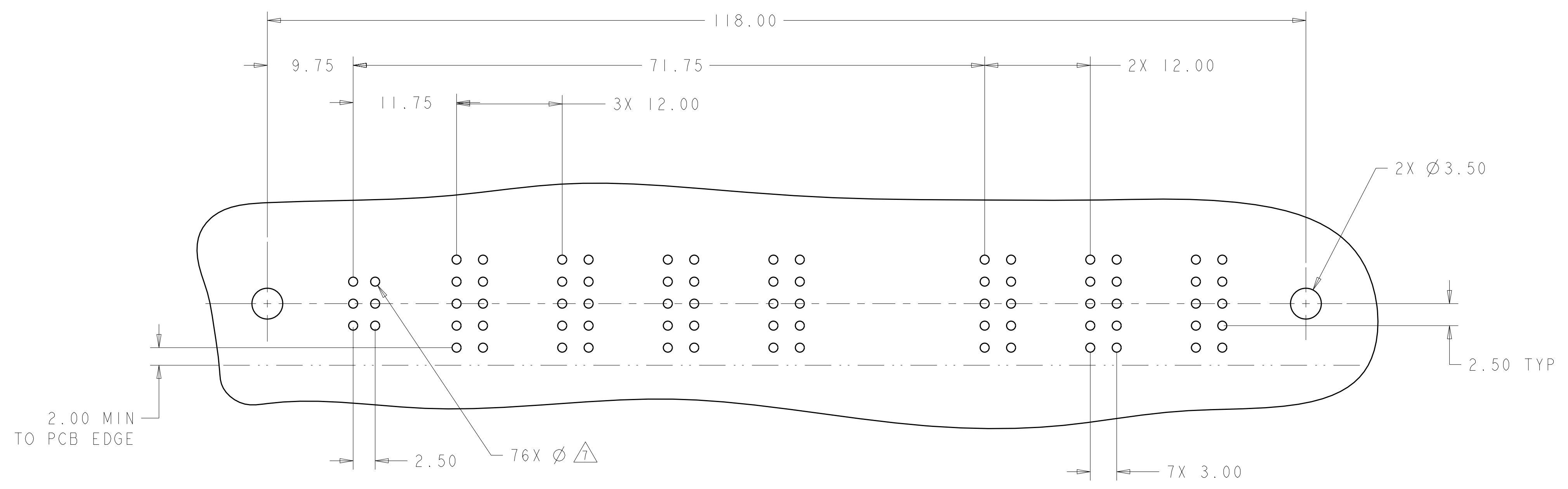
5 MOUNTING FLANGES ACCEPT M3 OR 4-40 SCREWS (USER SUPPLIED).



ELCON FLATPAQ

AS SHOWN		6646317-1	
DESCRIPTION		PART NUMBER	
<small>THIS DRAWING IS UNPUBLISHED. RELEASED FOR PUBLICATION 20 BY TYCO ELECTRONICS CORPORATION, ALL RIGHTS RESERVED.</small> DIMENSIONS: mm TOLERANCES UNLESS OTHERWISE SPECIFIED: 0 PLC ±.5 1 PLC ±.5 2 PLC ±.25 3 PLC ±.25 4 PLC ±.25 ANGLES ±.3 FINISH: - MATERIAL: - WEIGHT: - CUSTOMER DRAWING		DWN: R. GRZYBOWSKI CHK: P. DAMATO APVD: S. FLICKINGER NAME: S. FLICKINGER PRODUCT SPEC: - APPLICATION SPEC: - SIZE: A CAGE CODE: 100779 DRAWING NO: C-6646317 RESTRICTED TO: - SCALE: 3:1 SHEET: 1 OF 3 REV: B	
Tyco Electronics Harrisburg, PA 17105-3608		SOCKET CONNECTOR, STRAIGHT SOLDER TAILS FLATPAQ	

LOC	DIST	REV	DATE	BY	APPD
GP	00				
DESCRIPTION			DATE	BY	APPD
SEE SHEET 1					



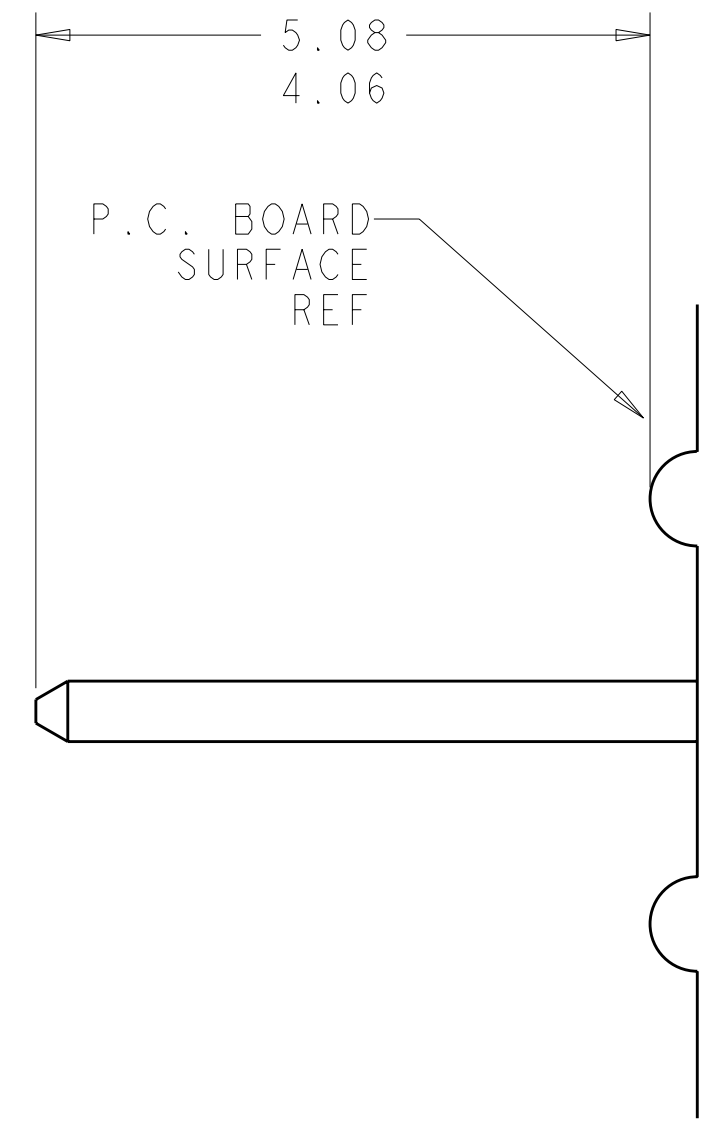
PRINTED CIRCUIT LAYOUT  
 COMPONENT SIDE

CONNECTOR	CATALOG MODULE #	QTY	SIZE NO.	CONTACT QTY	MATING PIN	MAX. CURRENT (PER CONTACT)	CONTACT SPACING	VOLTAGE RATING
SOCKET	FP116	4	8	4	1.25 X 7.00	35 amps	12.00	250 VOLTS
	FP313	1	8	6	.64 SQ.	3 amps	2.50	125 VOLTS
	FP503	2	GUIDE PIN, PASSIVE					
	FP500	1	MOUNTING FLANGE, LEFT					
	FP501	1	MOUNTING FLANGE, RIGHT					

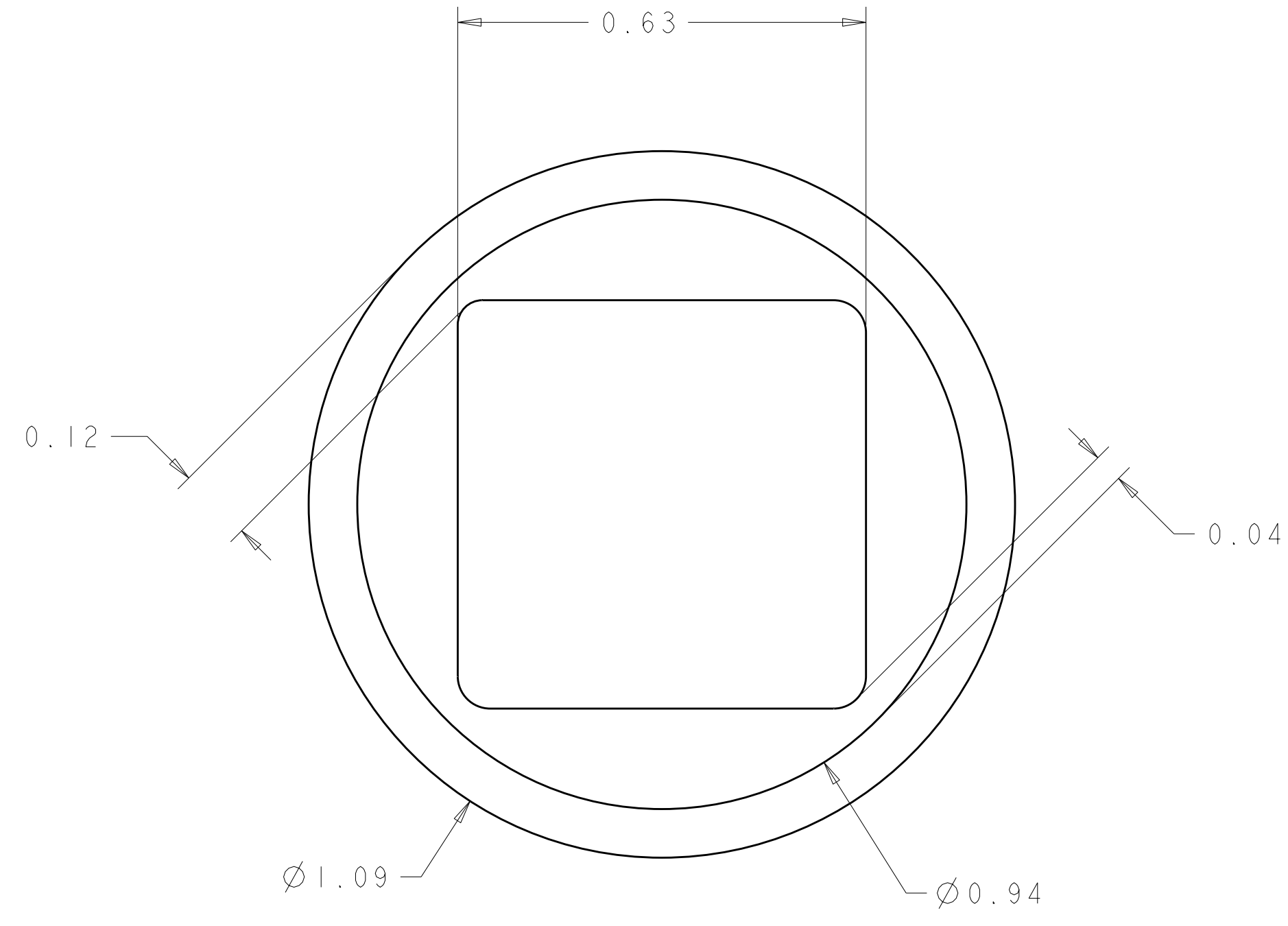
ELCON FLATPAQ

DIMENSIONS: mm 		TOLERANCES UNLESS OTHERWISE SPECIFIED: 0 PLC ±.5 1 PLC ±.5 2 PLC ±.25 3 PLC ±.5 4 PLC ±.5 ANGLES ±.3 FINISH		DWN R. GRZYBOWSKI I1SEPT07 CHK P. DAMATO I1SEPT07 APVD S. FLICKINGER I1SEPT07 NAME PRODUCT SPEC APPLICATION SPEC WEIGHT CUSTOMER DRAWING		Tyco Electronics Harrisburg, PA 17105-3608 SOCKET CONNECTOR, STRAIGHT SOLDER TAILS FLATPAQ SIZE CAGE CODE DRAWING NO. RESTRICTED TO A100779C-6646317 SCALE 3:1 SHEET 2 OF 3 REV B	
-----------------------	--	--	--	---	--	--	--

LOC	DIST	REVISIONS			
P	LTB	DESCRIPTION	DATE	DWN	APVD
GP	00	SEE SHEET 1	-	-	-



6. SOLDER PIN DETAIL  
SCALE 10 : 1



△ SOLDER TERMINATION AREA  
 SCALE 40:1  
 RECOMMENDED PRINTED CIRCUIT SOLDER HOLE  
 FINISHED HOLE: Ø1.02 [.040] ±.08 [.003]  
 DRILLED HOLE: Ø1.15 [.0453] ±.013 [.0005]  
 COPPER PLATE: .025 [.0010] MIN  
 TIN PLATE: .008 [.0003] MIN. (PER SURFACE)

ELCON FLATPAQ

<small>THIS DRAWING IS UNPUBLISHED. RELEASED FOR PUBLICATION 20. © COPYRIGHT 20 BY TYCO ELECTRONICS CORPORATION, ALL RIGHTS RESERVED.</small>		DWN R. GRZYBOWSKI I1SEPT07 CHK P. DAMATO I1SEPT07 APVD S. FLICKINGER I1SEPT07	Tyco Electronics Harrisburg, PA 17105-3608
DIMENSIONS: mm 		TOLERANCES UNLESS OTHERWISE SPECIFIED: 0 PLC ±.5 1 PLC ±.5 2 PLC ±.25 3 PLC ±.25 4 PLC ±.25 ANGLES ±.3 FINISH	NAME: SOCKET CONNECTOR, STRAIGHT SOLDER TAILS FLATPAQ SIZE: A   00779   C=6646317 SCALE: 3:1 SHEET 3 OF 3 REV B
MATERIAL: - FINISH: -		WEIGHT: - CUSTOMER DRAWING	RESTRICTED TO: -

单击下面可查看定价，库存，交付和生命周期等信息

[>>TE Connectivity\(泰科\)](#)