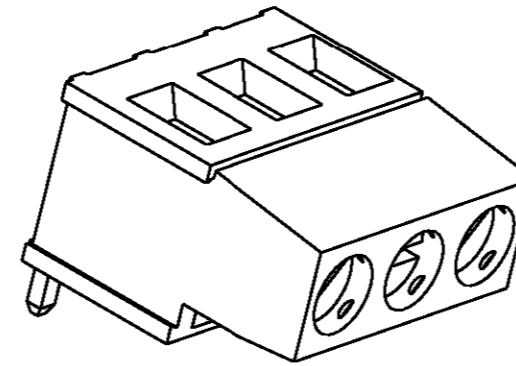
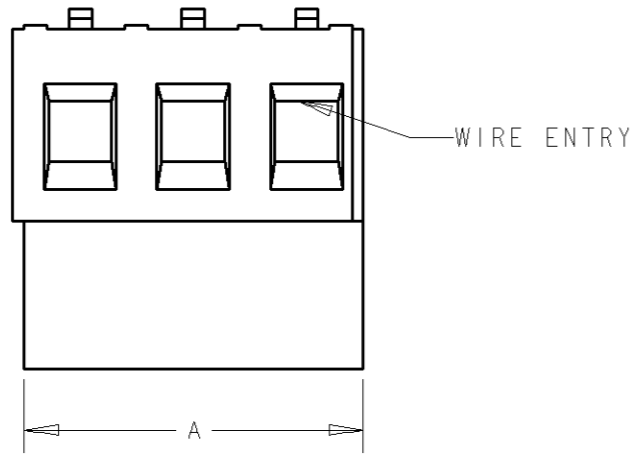


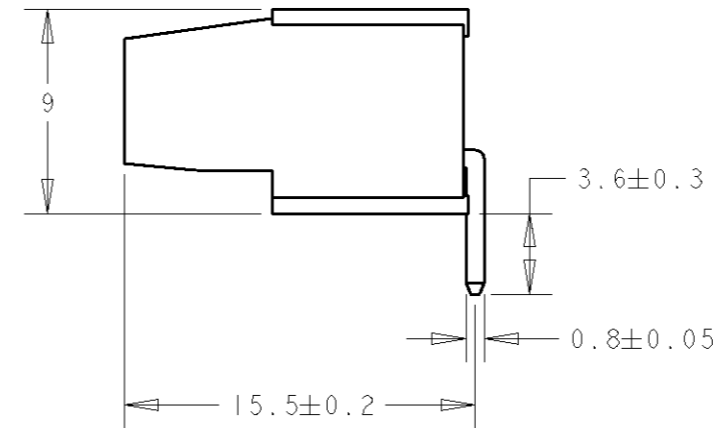
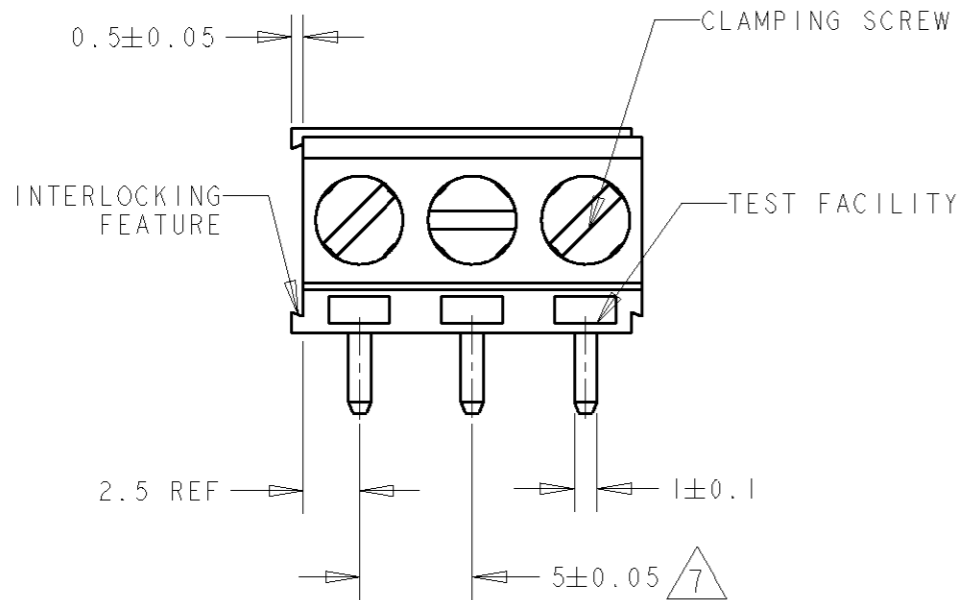
THIS DRAWING IS UNPUBLISHED. RELEASED FOR PUBLICATION 20
 © COPYRIGHT 20 BY TYCO ELECTRONICS CORPORATION. ALL RIGHTS RESERVED.

LOC	DIST	REVISIONS			
P	LTR	DESCRIPTION	DATE	DWN	APVD
FT	0	A	RELEASED	16MAR2001	EZ DB

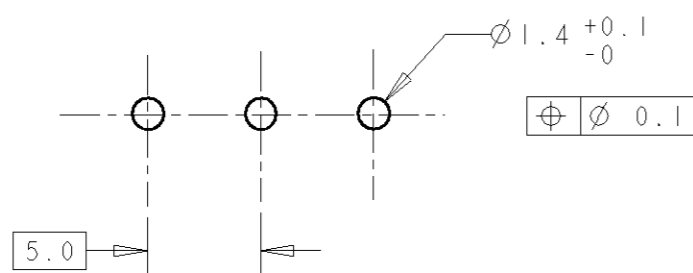


282850-3 AS SHOWN

125	25	2-796684-5
120	24	2-796684-4
115	23	2-796684-3
110	22	2-796684-2
105	21	2-796684-1
100	20	2-796684-0
95	19	1-796684-9
90	18	1-796684-8
85	17	1-796684-7
80	16	1-796684-6
75	15	1-796684-5
70	14	1-796684-4
65	13	1-796684-3
60	12	1-796684-2
55	11	1-796684-1
50	10	1-796684-0
45	9	796684-9
40	8	796684-8
35	7	796684-7
30	6	796684-6
25	5	796684-5
20	4	796684-4
15	3	796684-3
10	2	796684-2
DIM. A	No. OF POS	PART NUMBER



RECOMMENDED PCB LAYOUT



<small>THIS DRAWING IS A CONTROLLED DOCUMENT FOR TYCO ELECTRONICS CORPORATION IT IS SUBJECT TO CHANGE AND THE CONTROLLING ENGINEERING ORGANIZATION SHOULD BE CONTACTED FOR THE LATEST REVISION.</small>		DWN 16MAR2001 E. ZANOLINI CHK 16MAR2001 D. BIEVENOUR APVD 16MAR2001 D. BIEVENOUR		BUCHANAN Tyco Electronics Harrisburg, PA 17105-3608	
DIMENSIONS: mm		TOLERANCES UNLESS OTHERWISE SPECIFIED: 0 PLC ±- 1 PLC ±.3 2 PLC ±.25 3 PLC ±- 4 PLC ±- ANGLES ±2		NAME TERMINAL BLOCK, PCB MOUNT TOP ENTRY WIRE, STACKING W/ INTERLOCK, 5mm PITCH	
MATERIAL		FINISH		PRODUCT SPEC - APPLICATION SPEC - WEIGHT -	
		CUSTOMER DRAWING		SIZE A3 CAGE CODE 00779 DRAWING NO C-796684 RESTRICTED TO -	
		SCALE 3:1 SHEET 1 OF 2 REV A			

4

3

2

1

THIS DRAWING IS UNPUBLISHED.

RELEASED FOR PUBLICATION

20

© COPYRIGHT 20

BY TYCO ELECTRONICS CORPORATION. ALL RIGHTS RESERVED.

LOC

DIST

REVISIONS

FT

0

P

LTR

DESCRIPTION

DATE

DWN

APVD

-

SEE SHEET 1

-

-

-

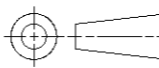


MATERIALS AND FINISH
HOUSING: PA 6-6, UL 94-V0, COLOR BLUE.
CLAMP: BRASS, NICKEL PLATED.
TERMINAL: BRASS, TIN PLATED.
CLAMPING SCREW: M3, BRASS, NICKEL PLATED.

- 2 SUITABLE FOR 1,6-2,4mm PC BOARD THICKNESS.
- 3 END-TO-END STACKABLE W/INTERLOCK WITHOUT LOSS OF CENTERLINE SPACING.
- 4 WIRE SIZE RANGE
SOLID WIRE: 0,03-2,5mm² (13AWG).
STRANDED WIRE: 0,03-1,5mm² (15AWG).
- 5 RECOGNIZED UNDER THE COMPONENT PROGRAM OF UNDERWRITERS LABORATORIES INC. FILE N° E60677.
- 6 IMQ CERTIFICATE WITH SURVEILLANCE IN CONFORMITY WITH IEC 998-1/998-2-1.



NOT CUMULATIVE TOLERANCE.

THIS DRAWING IS A CONTROLLED DOCUMENT FOR TYCO ELECTRONICS CORPORATION IT IS SUBJECT TO CHANGE AND THE CONTROLLING ENGINEERING ORGANIZATION SHOULD BE CONTACTED FOR THE LATEST REVISION.		DWN E. ZANOLINI 6MAR2001	Tyco Electronics Harrisburg, PA 17105-3608		
DIMENSIONS: mm		CHK D. BIEVENOUR 6MAR2001	NAME TERMINAL BLOCK, PCB MOUNT TOP ENTRY WIRE, STACKING W/ INTERLOCK, 5mm PITCH		
TOLERANCES UNLESS OTHERWISE SPECIFIED:		APVD D. BIEVENOUR 6MAR2001			
		PRODUCT SPEC -	SIZE A3		
MATERIAL -		APPLICATION SPEC -	CAGE CODE 00779	DRAWING NO C-796684	RESTRICTED TO -
FINISH -		WEIGHT -	SCALE 3:1		SHEET 2 OF 2
CUSTOMER DRAWING			REV A		

单击下面可查看定价，库存，交付和生命周期等信息

[>>TE Connectivity\(泰科\)](#)