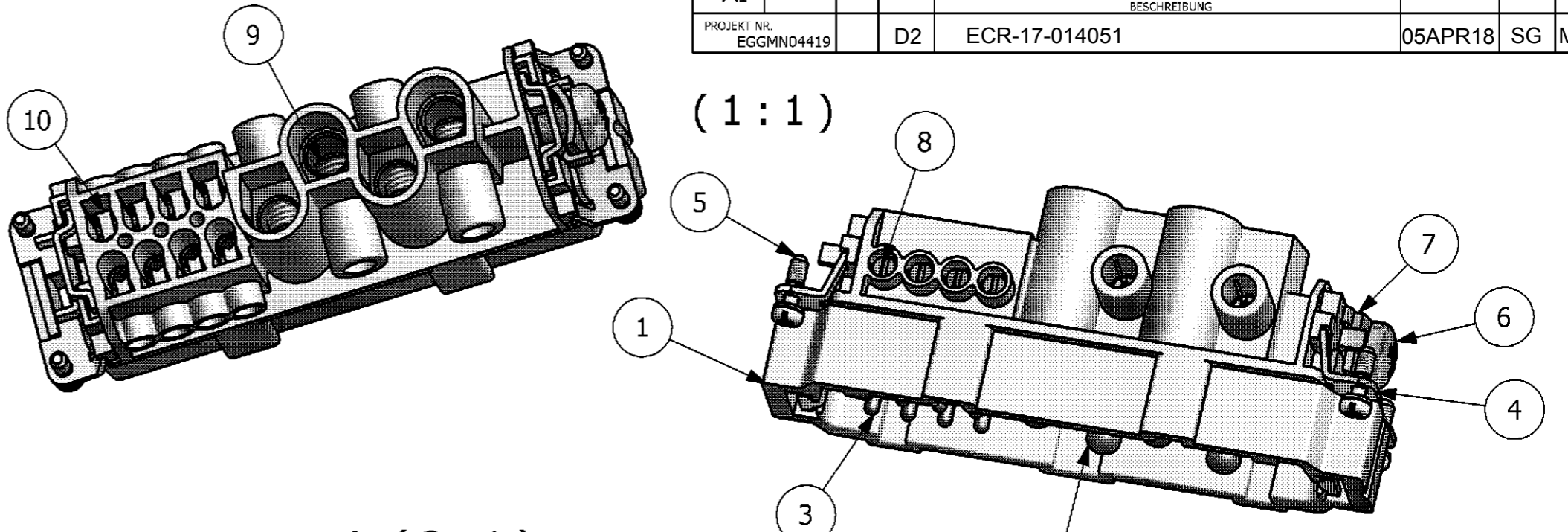
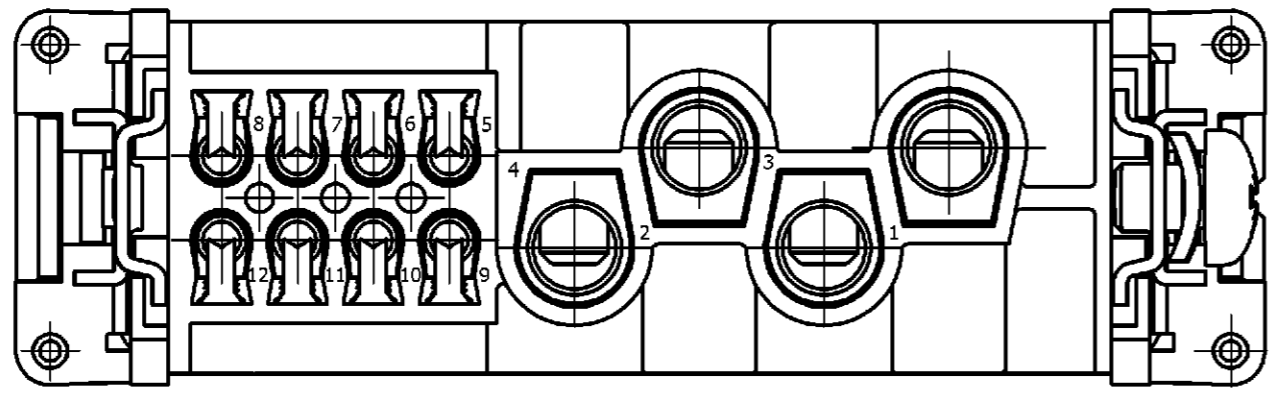
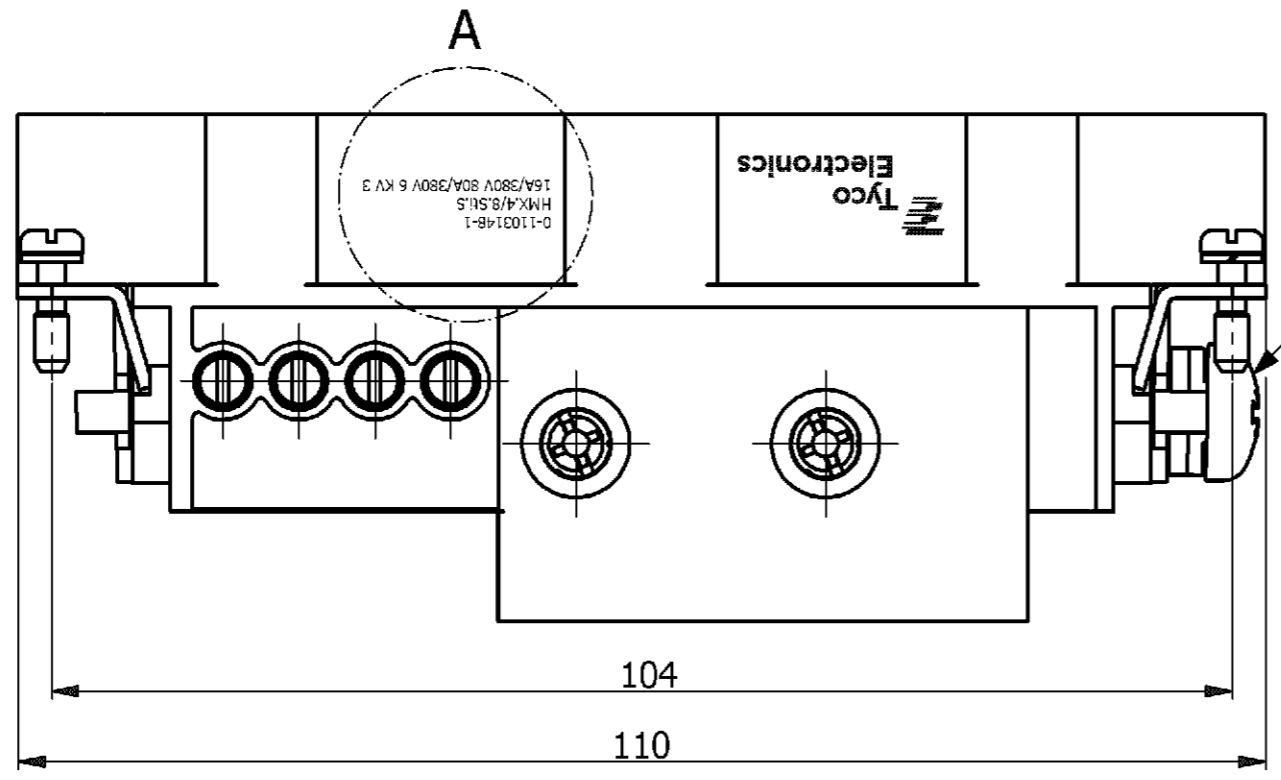
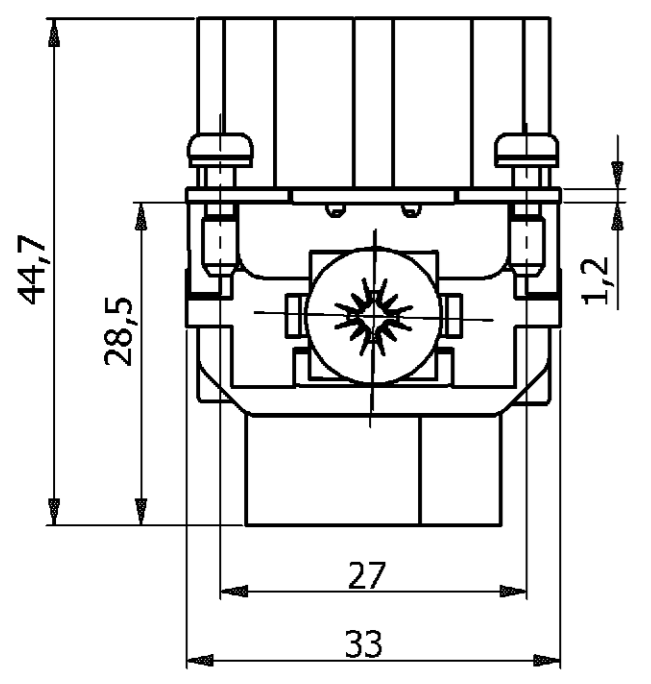


LOC	DIST	REVISIONS ÄNDERUNGEN					
AI	-	P	LTR	DESCRIPTION BESCHREIBUNG	DATE	DWN	APVD
PROJEKT NR. EGGMN04419		D2		ECR-17-014051	05APR18	SG	MKO

CONTACT ARRANGEMENT
VIEW FROM TERMINATION SIDE



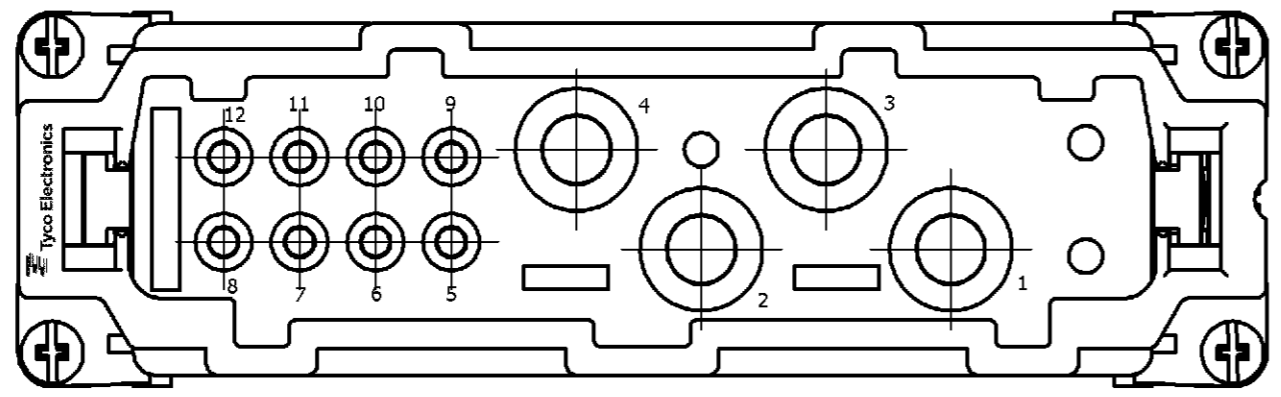
(1:1)



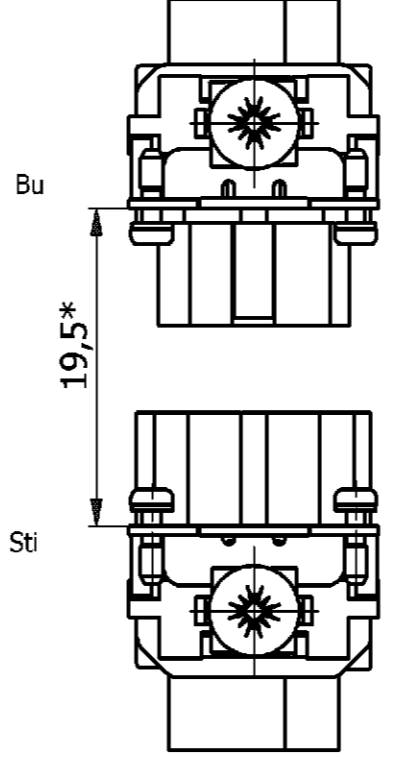
A (3:1)

0-1103148-1
HMX.4/8.Sti.S
16A/380V 6 KV 3
80A/380V 6 KV 3

CONTACT ARRANGEMENT
VIEW FROM CONNECTING SIDE



* distance for guaranteed contact 21 mm max.

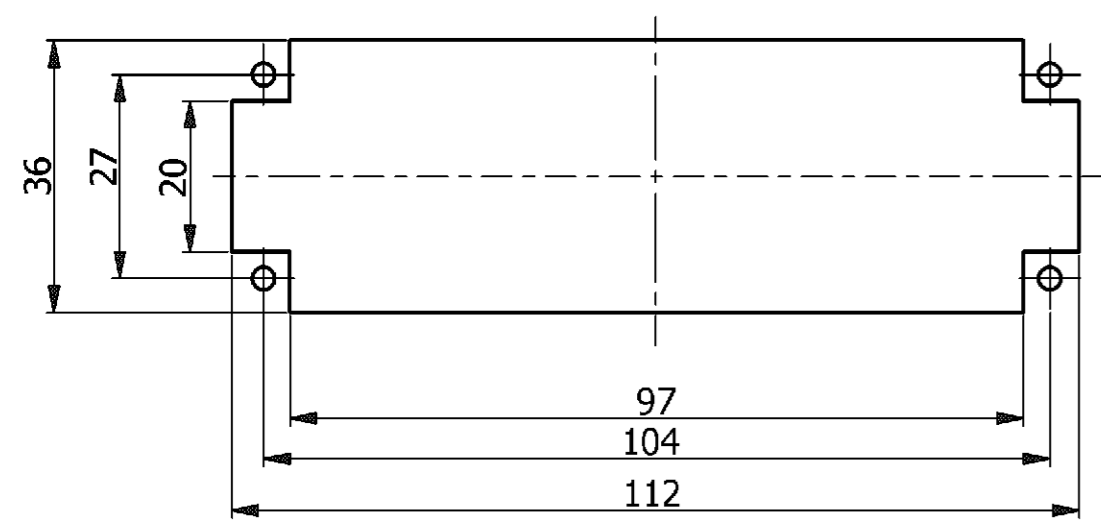


NOTES

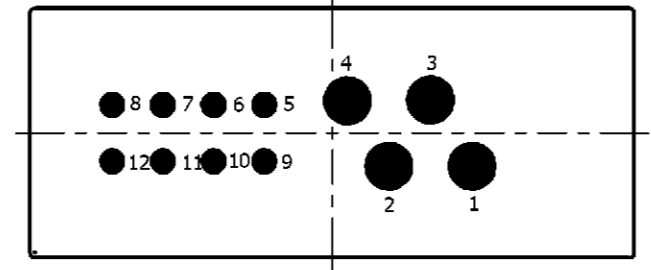
- POWER CONTACT: 1 TO 4
OUTER DIMENSIONS OF INSULATION: MAX. Ø10,3 MM
- SIGNAL CONTACT: 5 TO 12
OUTER DIMENSIONS OF INSULATION: MAX. Ø5,2 MM
- GROUNDING CONTACT
- SUITABLE HOOD SIZE 8: SERIES HB; HD; EMV AND HIP
- STANDARDS:
DIN EN 61984; DIN EN 60664-1
- PACKAGING:
5 PIECES IN A CARTON
- SUPERSEDED BY T2100122101-000

0-1 AS SHOWN
ORDERING TEXT: HMX.4/8.Sti.S

Panel cut-out for contact insert
when used without housing



CONTACT ARRANGEMENT
VIEW FROM TERMINATION SIDE



QTY	DESCRIPTION	MATERIAL	SURFACE	COLOR	NOTE	ITEM
8	SIGNAL WIRE PROTECTION STRIP	CuSn6	---	---	---	10
4	THREADED PIN	6,8	SURFACE DIN EN 12540 Fe/Ni 5b	BLUE	M6	9
8	CONTACT SCREW WITH SLOT	Cu Zn 40Pb3	---	BLUE	---	8
1	CLAMP TAB	STEEL	NICKEL PLATED	BLUE	---	7
1	CYLINDER SCREW , M5	STEEL	NICKEL PLATED	---	---	6
4	FIXING SCREW	STEEL	NICKEL PLATED	---	M3X10,5	5
2	GROUNDING CONTACT-PIN	Cu Zn37 F38	Cu/Ni 5b	---	---	4
8	PIN CONTACT (SIGNAL)	BRASS	SILVER PLATED	---	---	3
4	PIN CONTACT(POWER)	BRASS	SILVER PLATED	---	---	2
1	MALE INSERT HMX.4.8	PBT-GF30	---	LIGHT GREY	---	1

0-1 HMX.4/8.Sti.S

TE Connectivity

MALE INSERT ASSEMBLY
HMX.4/8.STI.S

1103148

SCALE: 1:1

单击下面可查看定价，库存，交付和生命周期等信息

[>>TE Connectivity\(泰科\)](#)