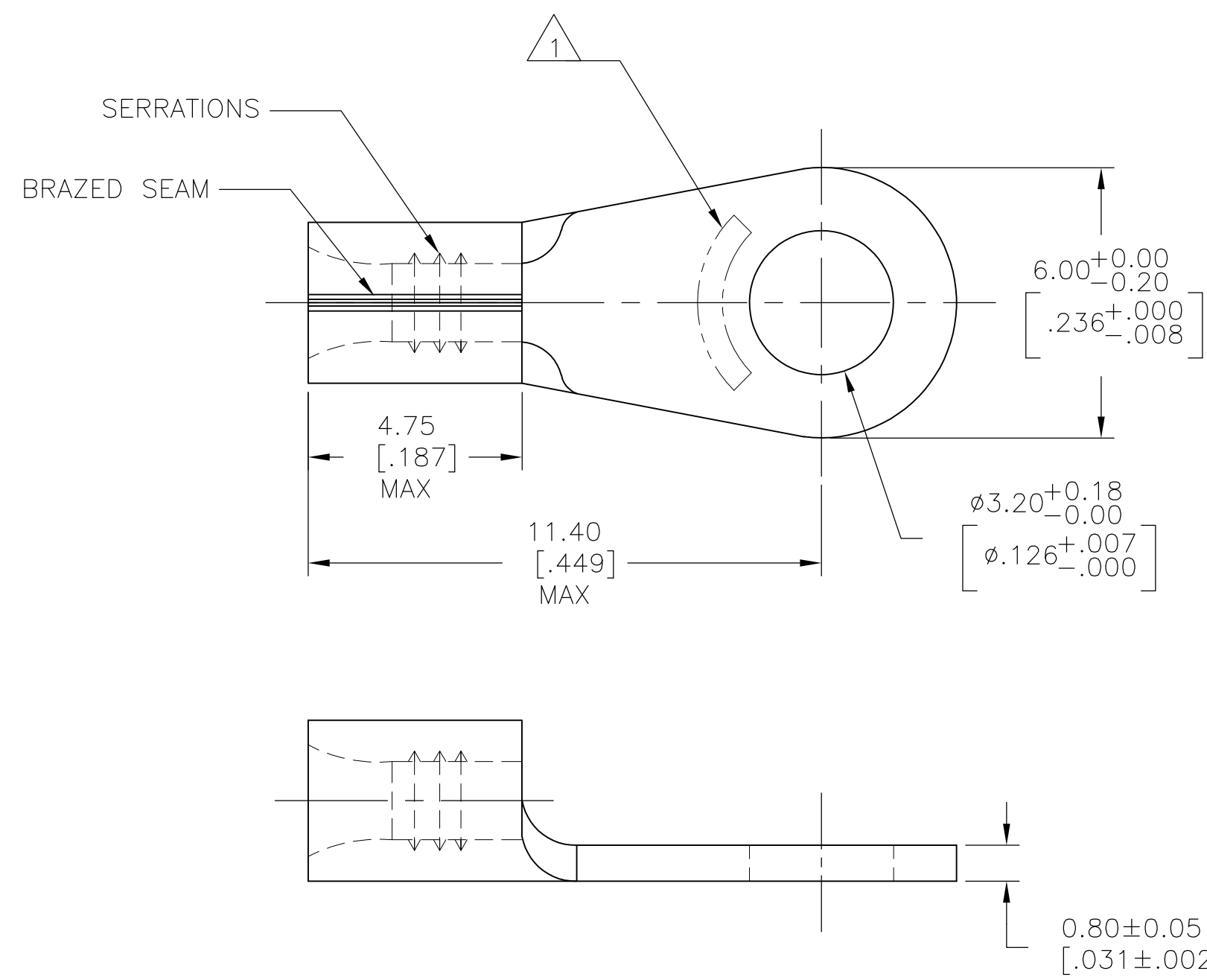


THIS DRAWING IS UNPUBLISHED. RELEASED FOR PUBLICATION
 © COPYRIGHT - By - ALL RIGHTS RESERVED.

LOC	DIST	REVISIONS					
G	01	P	LTR	DESCRIPTION	DATE	DWN	APVD
		D1		REDRAWN PER ECO-14-019282	31DEC2014	NK	DR



- △ 1 STAMP "AMP 3-1" APPROX AS SHOWN.
- △ 2 MATERIAL: COPPER PER ASTM B152, ANNEALED
- △ 3 FINISH: 0.0030[.000120] MIN EXT. THK. PER ASTM B545.

1000	LOOSE PIECE	165291
QTY	PACKAGE TYPE	PART NUMBER

THIS DRAWING IS A CONTROLLED DOCUMENT.		DWN	24DEC2014	TE Connectivity		
		CHK	24DEC2014			
		APVD	24DEC2014			
		NAME	ROHDE DANIEL F			
DIMENSIONS: mm [INCHES]		TOLERANCES UNLESS OTHERWISE SPECIFIED:		RING TONGUE STUD M3		
		0 PLC	± -	PRODUCT SPEC		
		1 PLC	± -	APPLICATION SPEC		
		2 PLC	± -	SIZE		
		3 PLC	± -	CAGE CODE		
		4 PLC	± -	DRAWING NO		
		ANGLES	± -	RESTRICTED TO		
		FINISH	△ 3	A3 00779 C-165291		
TYPE -DIN- SOLISTRAND		MATERIAL		CUSTOMER DRAWING		
WIRE RANGE 0.5-1.0 mm2 (987-1974 CMA)		MATERIAL △ 2		SCALE 8:1		
				SHEET 1 OF 1		
				REV D1		

单击下面可查看定价，库存，交付和生命周期等信息

[>>TE Connectivity\(泰科\)](#)