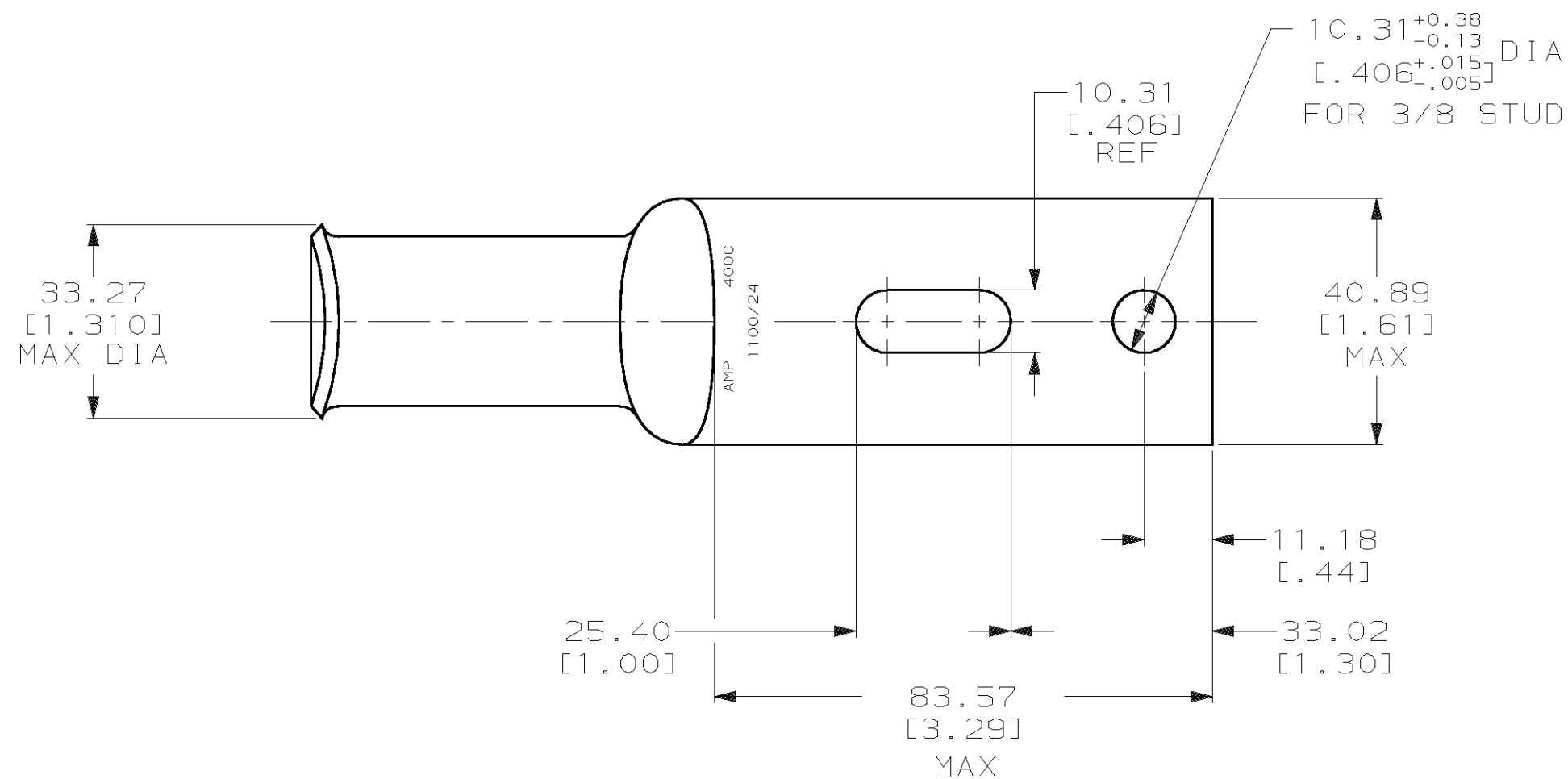
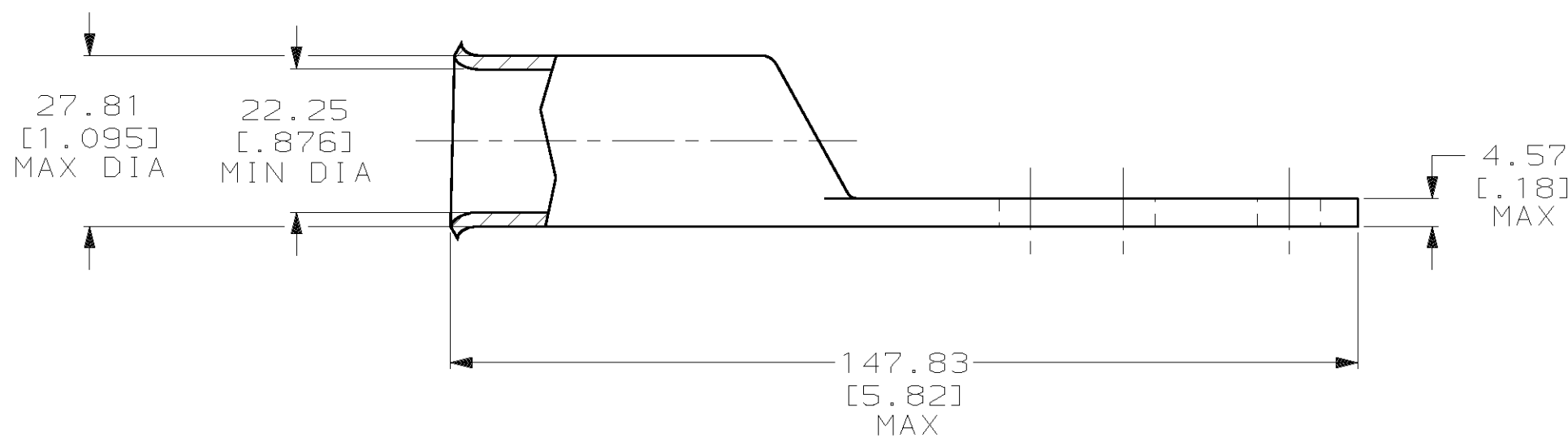


THIS DRAWING IS UNPUBLISHED. RELEASED FOR PUBLICATION .19
 © COPYRIGHT 19 BY AMP INCORPORATED. ALL INTERNATIONAL RIGHTS RESERVED.

LOC		DIST		P		F		ZONE		LTR		REVISIONS		DATE	APPD
G		86								C		REV PER 0G3A-0561-01		07OCT02	JR/MS



△ TIN PL 0.00381 [.000150] MIN THK PER MIL-T-10727



276963

276963-1

PART NO

DO NOT SCALE PRINT.
 UNLESS SPECIFIED
 DIMENSIONS IN mm [INCHES]
 TOLERANCES ON :
 2 PLC DEC ± 0.51 [.020]
 3 PLC DEC ± -
 ANGLES ± -

MATERIAL
 ANNEALED COPPER
 ASTM B-75

FINISH



DR 03/09/90
 DK SCHRUM

CHK 24JAN95
 MS FEHER

APPD 24JAN95
 WJ VOCKROTH

APPD 24JAN95
 TL SHUTTER

PRODUCT SPEC
 108-30200

APPLICATION SPEC

-

WEIGHT -

AMP AMP INCORPORATED
 Harrisburg, Pa. 17105

NAME

TERMINAL, AMPPOWER,
 WIRE SIZE: 400 MCM

SIZE

C

CAGE CODE

00779

DRAWING NO

276963

SCALE

1:1

SHEET

1 OF 1



单击下面可查看定价，库存，交付和生命周期等信息

[>>TE Connectivity\(泰科\)](#)