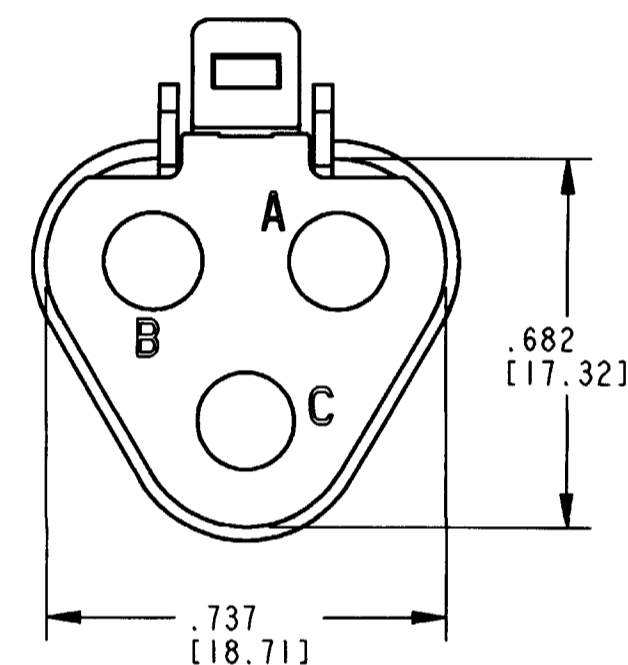
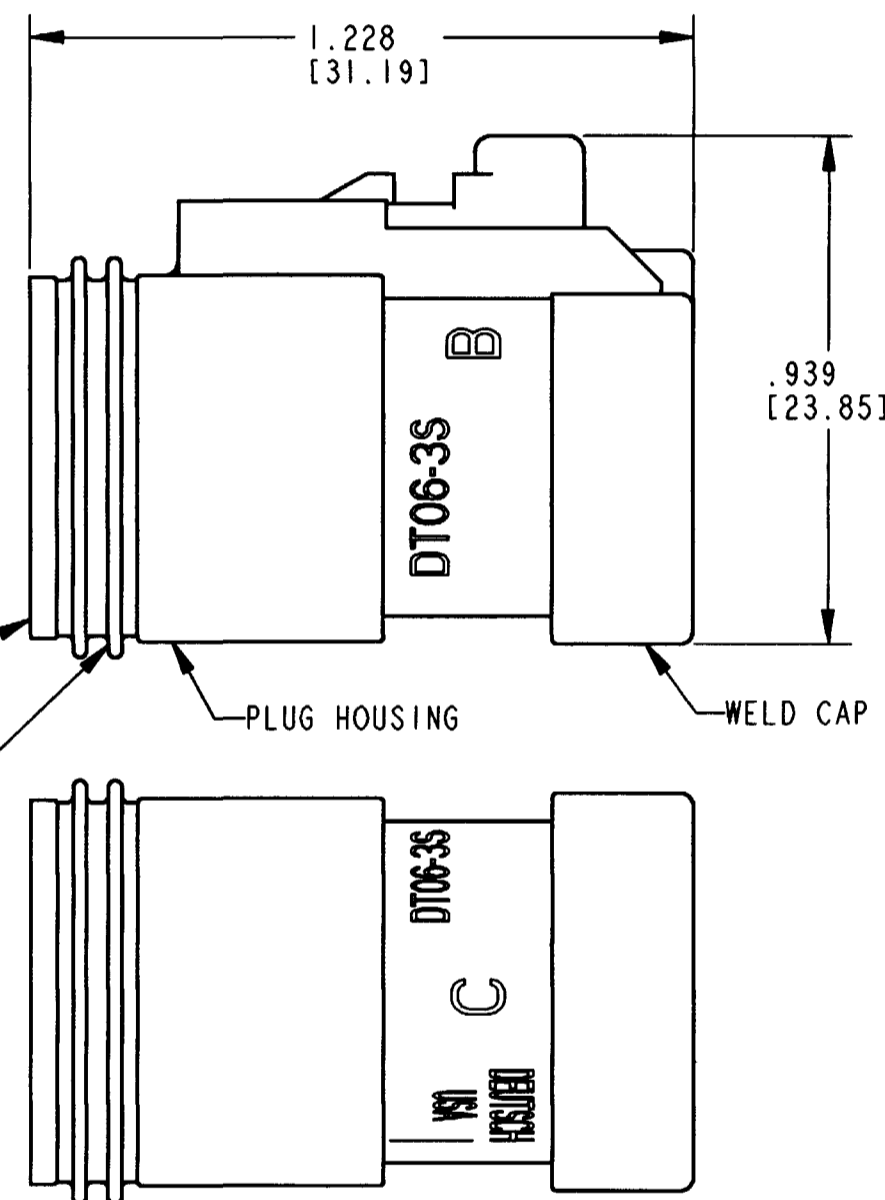
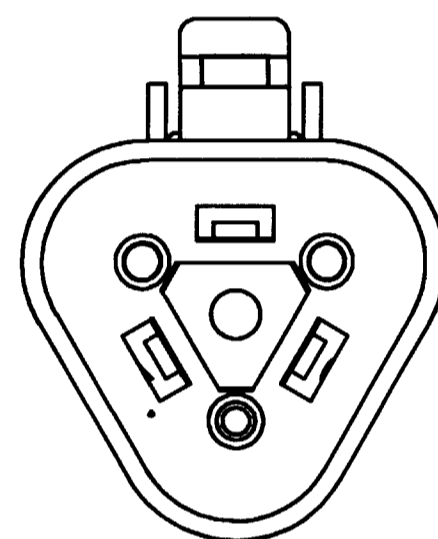


3D VIEW



REV	DT06-3S-EP10
NC	

REVISIONS			
SYM	DESCRIPTION	DATE	APPROVED
NC	NEW RELEASE PER E.O. P17961	12-3-02	ROK

6. RESISTOR CHARACTERISTICS: 120 OHMS ±10 PERCENT, .4 WATTS MINIMUM.
5. THIS CONNECTOR CAN PASS THROUGH A ONE INCH HOLE.
4. THIS PLUG MATES WITH THE DT04-3P-\*\*\*\* RECEPTACLE. (\*\*\*\* = J1939 MODIFICATIONS.) CONSULT FACTORY FOR MODIFICATIONS.
3. FOR CONTACTS AND WIRE PERFORMANCE AND APPLICATION CHARACTERISTICS SEE ENVELOPE DRAWING 0425-015-0000 AND 0425-017-0000.
2. DIMENSIONS ARE ±.025[0.63] UNLESS OTHERWISE SPECIFIED.
1. DIMENSION ARE IN INCHES [MILLIMETERS].
- NOTES:

SIGNATURE & DATE	
DR	X. SANCHEZ 11NOV02
CHK	A. Kolina 11/2/02
PE	Joseph Johnson 11/2/02
APPD	Strand 12-2-02
SCALE	3:1 WT

3 WAY PLUG  
D.T. SERIES  
(TERMINATING PLUG)  
-EP10 MOD  
COLOR: BLACK  
ENVELOPE

CP	MATL CODE
<b>The Deutch Company</b> DEUTSCH I.P.D. 3850 INDUSTRIAL AVE. HEMET, CALIF. 92545	
<b>B</b>	<b>DT06-3S-EP10</b>
DWG SIZE	CODE 11139 SHEET   OF

单击下面可查看定价，库存，交付和生命周期等信息

[>>TE Connectivity\(泰科\)](#)