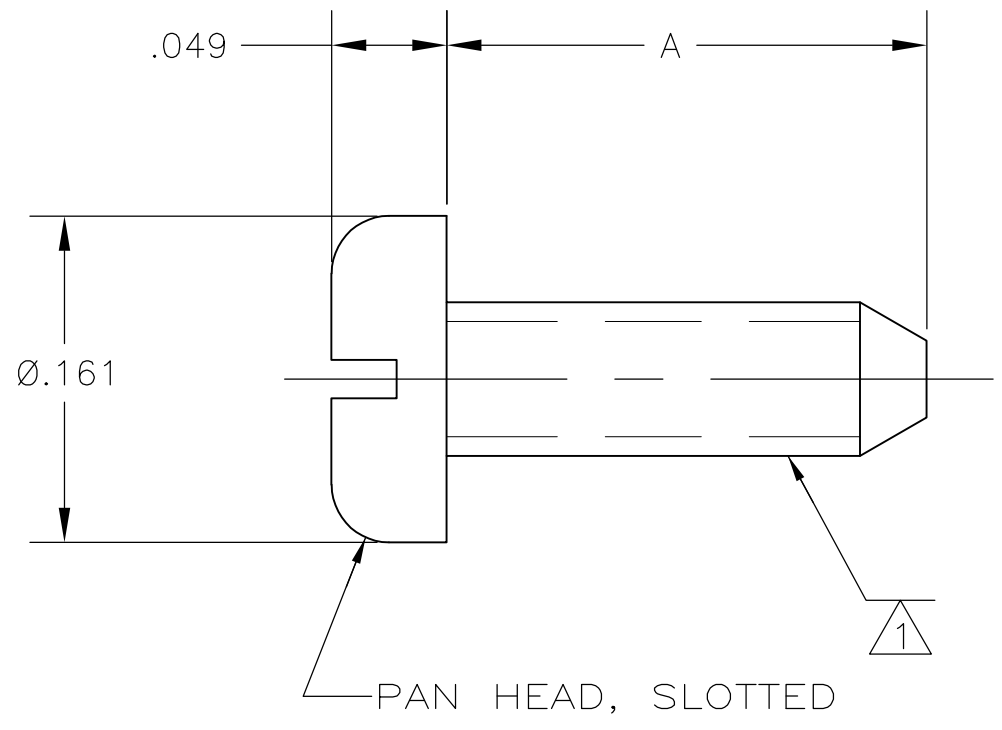


THIS DRAWING IS UNPUBLISHED. RELEASED FOR PUBLICATION
 © COPYRIGHT - By - ALL RIGHTS RESERVED.

LOC	DIST	REVISIONS					
		P	LTR	DESCRIPTION	DATE	DWN	APVD
AJ	16		P	REVISED PER ECO-11-005030	11MAR11	RK	HMR



- ① #2-56 SPECIAL THREAD-ROLLING SCREW THREAD
- ② CARBON STEEL PER AISI 1019-1022
- ③ ZINC PLATE

.250 MAX	9-221108-1
.312 MAX	9-221108-0
.250 MAX	221108-4
.312 MAX	221108-2
A DIM	PART NO

THIS DRAWING IS A CONTROLLED DOCUMENT.		DWN M SYKES 02JUN2006	STE TE Connectivity			
DIMENSIONS: INCHES 		CHK DK SCHRUM 02JUN2006				
TOLERANCES UNLESS OTHERWISE SPECIFIED: 0 PLC ± - 1 PLC ± - 2 PLC ± - 3 PLC ± .008 4 PLC ± - ANGLES ± -		APVD JT LIPPERT 02JUN2006	NAME			
MATERIAL		PRODUCT SPEC	SCREW, SELF TAPPING			
FINISH		APPLICATION SPEC	SIZE	CAGE CODE	DRAWING NO	RESTRICTED TO
②		WEIGHT	A3	00779	C-221108	-
③		CUSTOMER DRAWING		SCALE	SHEET	REV
				NTS	1 OF 1	P

单击下面可查看定价，库存，交付和生命周期等信息

[>>TE Connectivity\(泰科\)](#)