

P	LTR	DESCRIPTION	DATE	DWN	APVD
A7		REVISED PER ECO-09-024717	06NOV09	KK	AEG
B		ECR-16-001983	18MAY2016	GCM	JB
C		ECR-16-014579	25APR2017	GCM	JB
C1		ECR-20-002488	18SEP2020	SB	MKO

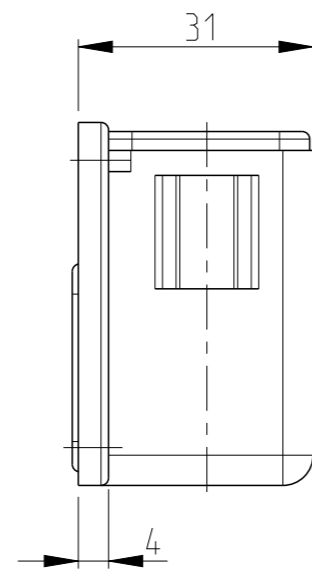
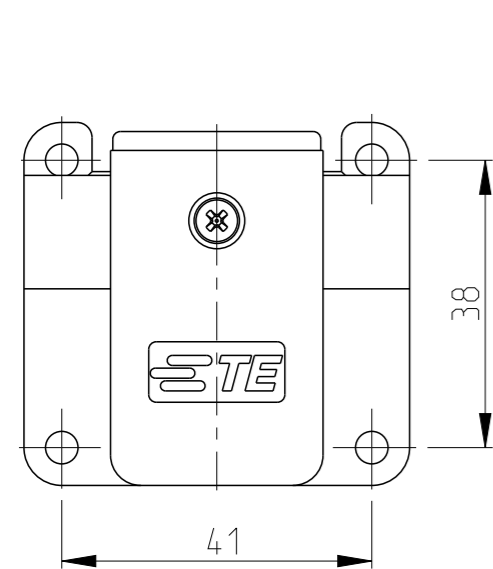
Notes

- 1 SUITABLE HOUSINGS: SERIES HIP, SIZE 1
CUSTOMER DRAWING 1102600, 1106408, 1106200
- 2 STANDARDS:
DIN EN 61984, DIN EN 60664-1
- 3 PN 0-3 WITHOUT PROFILE SEAL ON CONNECTING SIDE
- 4 TOOL:
PHILLIPS SCREWDRIVER PH1.
- 5 VARNISH ON INSIDE AREA NOT NECESSARY
- 6 PACKAGING:
10 SETS IN A CARTON,
- 7 OBSOLETE PARTS: OBSOLETE CIS STREAMLINING PER
D.RENAUD/D.SINISI

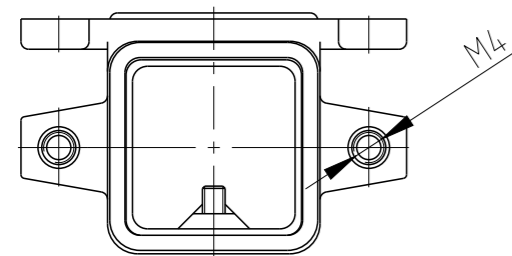
7	OBSELETE	0-1102602-3	HIP-K.3/4.SGF.SO
7	OBSELETE	0-1102602-1	HIP-K.3/4.SGF.GELB
		2-1102602-5	HIP-K.3/4.SGF
	OBSELETE	1-1102602-5	HIP.3/4.SGF
		PART NO.	ORDERING TEXT

3	7	OBSELETE	OBSELETE	DESCRIPTION	MATERIAL	COLOR/SURFACE	NOTE	ITEM	
1	1	1	1	0 - RING	NBR	BLACK	3.0x1.0	7	
1	1	1	1	SCREW COUNTERSUNK RAISED HEAD	STAINL. STEEL V2A	-	M3x8 PH1 DIN EN ISO 7047	6	
1	2	2	2	PROFILE SEAL	FKM	BLACK	SERIES EMV / HIP	5	
-	1	-	-	ANGLED BULKHEAD HOUSING	ALU	YELLOW	SERIES HIP-K	3	
1	-	1	-	ANGLED BULKHEAD HOUSING	ALU	BLACK	SERIES HIP-K	2	
-	-	-	1	ANGLED BULKHEAD HOUSING	ALU	GREY	SERIES HIP	1	
0-3	0-1	2-5	1-5						
				PN/QTY	DESCRIPTION	MATERIAL	COLOR/SURFACE	NOTE	ITEM

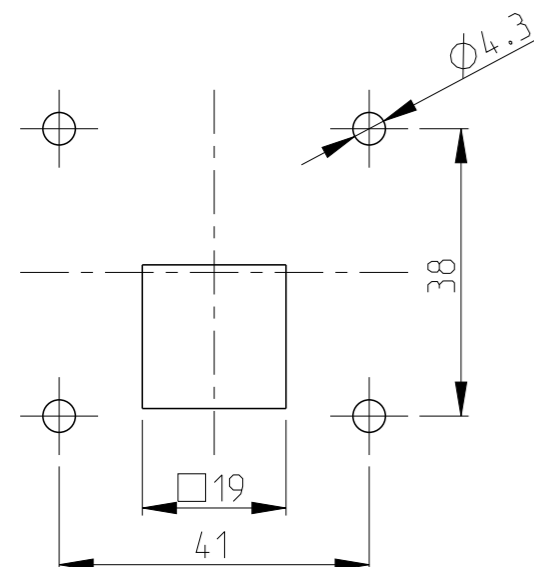
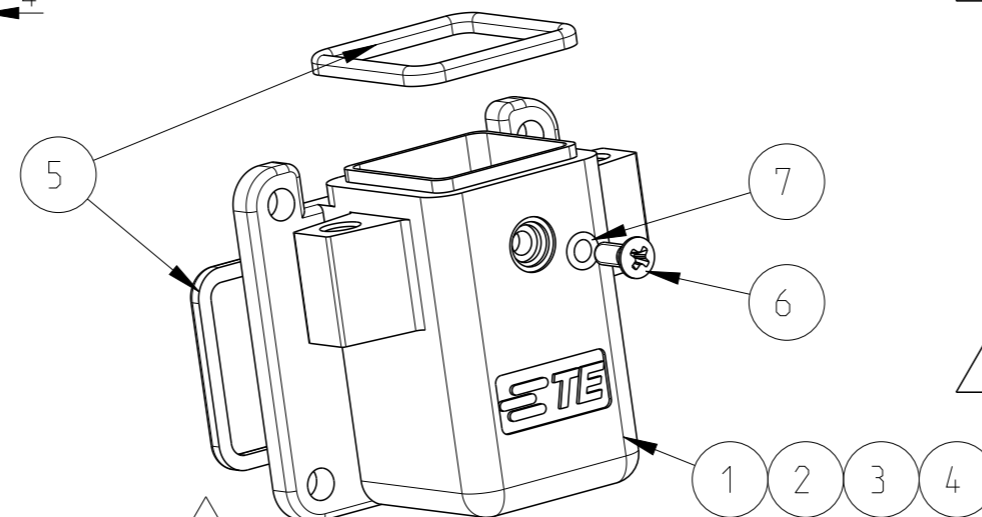
PARTS LIST (PER ONE UNIT)



PN 1-5 AS SHOWN



PANEL-CUT-OUT



THIS DRAWING IS A CONTROLLED DOCUMENT.

DIMENSIONS: mm	TOLERANCES UNLESS OTHERWISE SPECIFIED:
	0 PLC ±
	1 PLC ±
	2 PLC ±
	3 PLC ±
	4 PLC ±
	ANGLES ±1°
MATERIAL	FINISH
-	-

DWN	V.GLUMM	19AUG2009
CHK	H.Braun	19AUG2009
APVD	T.Schnurpfeil	19AUG2009
PRODUCT SPEC	-	-
APPLICATION SPEC	-	-
WEIGHT	-	-
CUSTOMER DRAWING		



NAME
ANGLED BULKHEAD HOUSING ASS'Y
BOTTOM ENTRY, SERIES HIP, SIZE 1

SIZE	CAGE CODE	DRAWING NO	RESTRICTED TO
A3	00779	C=1102602	
SCALE	1:1	SHEET	1 OF 1
REV	C1		

单击下面可查看定价，库存，交付和生命周期等信息

[>>TE Connectivity\(泰科\)](#)