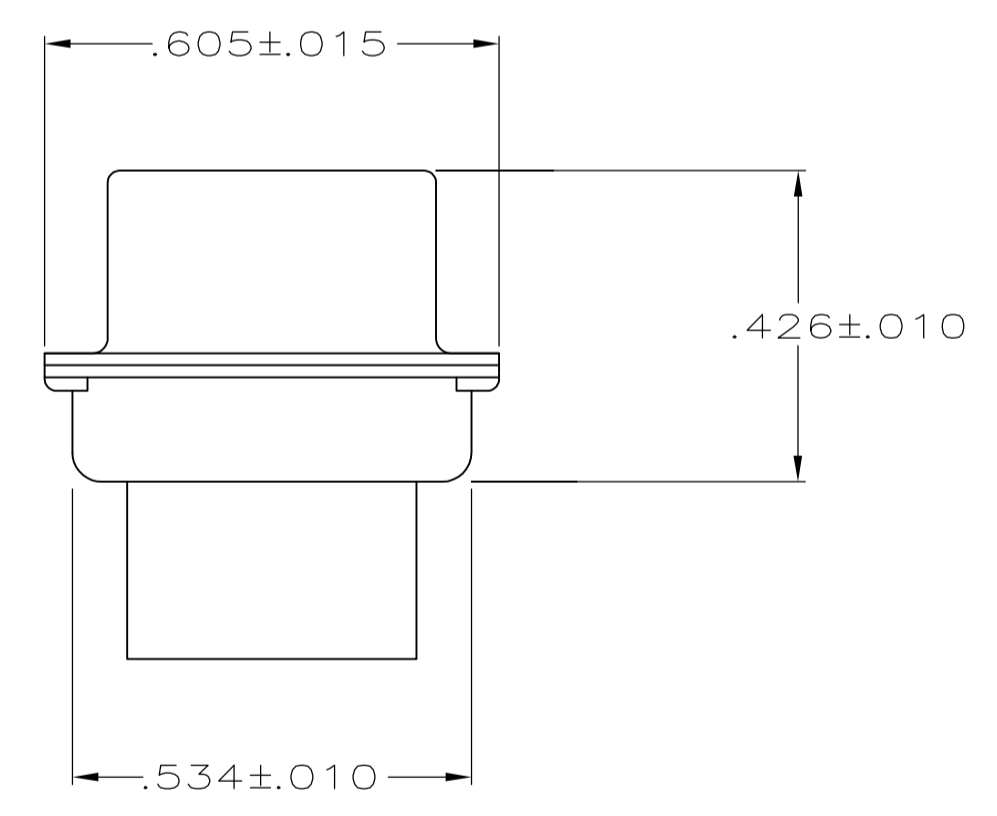
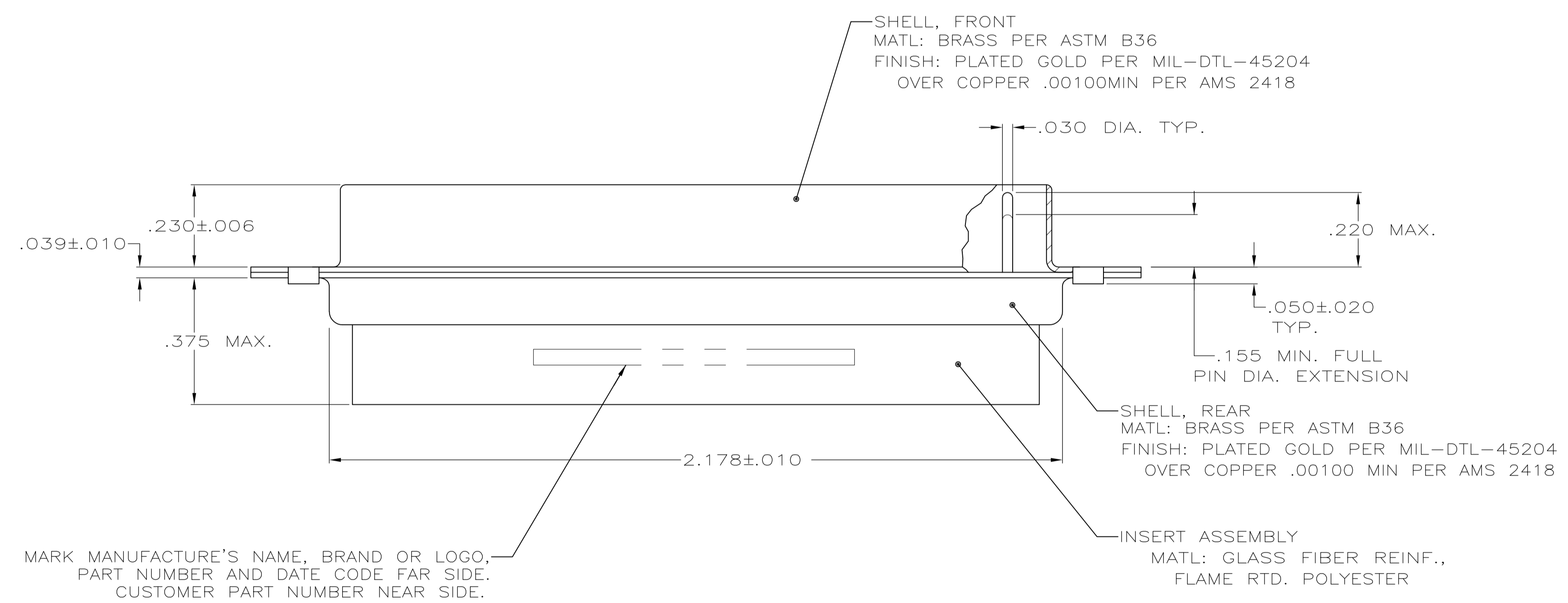


1. THIS PLUG WILL MATE WITH ANY 50 POSN., SIZE 5 RECEPTACLE IN THE AMPLIMITE SERIES.
  2. MAXIMUM WIRE INSULATION USED WITH THIS CONNECTOR IS .068 DIA.
  3. BE-CU RETENTION CLIPS ARE INCLUDED IN INSERT.
  4. CONNECTOR SUPPLIED WITHOUT CONTACTS; SHOWN FOR ILLUSTRATION ONLY.
- △ UL/CSA DESIGNATION STAMPED IN THIS AREA.



1A01-007PHW	1-211622-1
2A014-005-001	211622-5
1A01-010PHA	211622-1
CUSTOMER PART NO	PART NO

THIS DRAWING IS A CONTROLLED DOCUMENT.		DWN T. SHUEY 11-17-87	Tyco Electronics Corporation Harrisburg, PA 17105-3608
DIMENSIONS: INCHES		CHK F.C. RALLEW III 11-30-87	
TOLERANCES UNLESS OTHERWISE SPECIFIED:		APVD F.C. RALLEW III 11-30-87	NAME PLUG ASSEMBLY, AMPLIMITE 50 POSITION, SIZE 5, SERIES 109, NON-MAGNETIC
0 PLC ± -		PRODUCT SPEC	
1 PLC ± -		APPLICATION SPEC	RESTRICTED TO
2 PLC ± -		SIZE A1	CAGE CODE 00779
3 PLC ± .005		DRAWING NO 211622	REV E
4 PLC ± -		WEIGHT	SCALE 4:1
ANGLES ± 0°30'		CUSTOMER DRAWING	SHEET 1 OF 1

单击下面可查看定价，库存，交付和生命周期等信息

[>>TE Connectivity\(泰科\)](#)