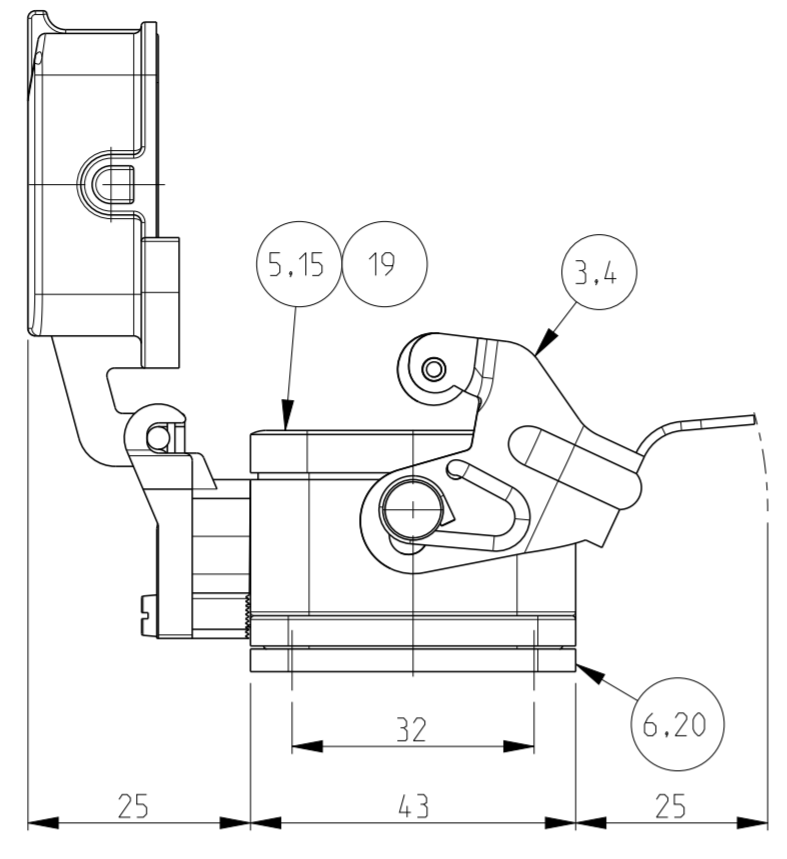
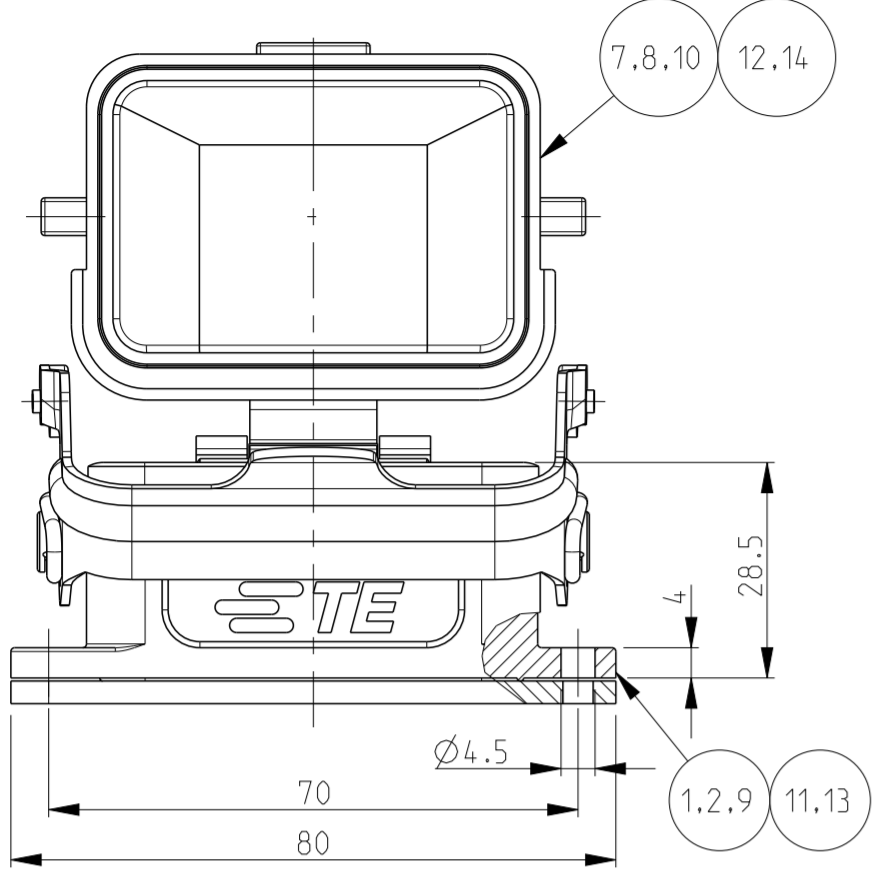


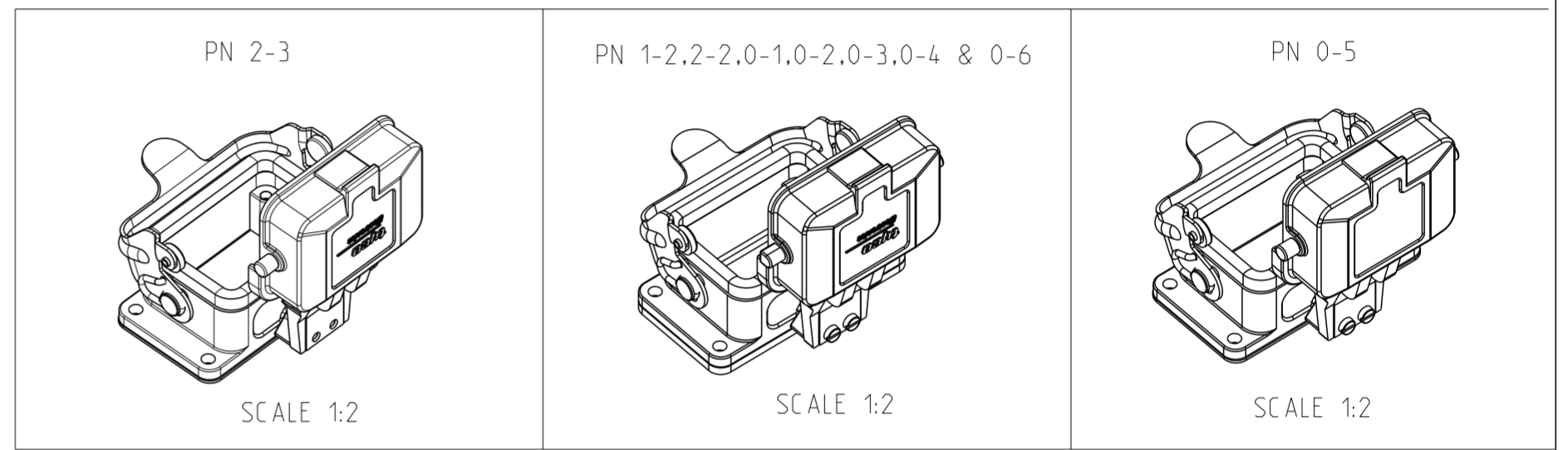
THIS DRAWING IS UNPUBLISHED. RELEASED FOR PUBLICATION .1997
COPYRIGHT 1997 BY - ALL RIGHTS RESERVED.

REVISIONS					
P	LTR	DESCRIPTION	DATE	DWN	APVD
	B3	ECR-17-013084	29MAR2018	SG	MKO

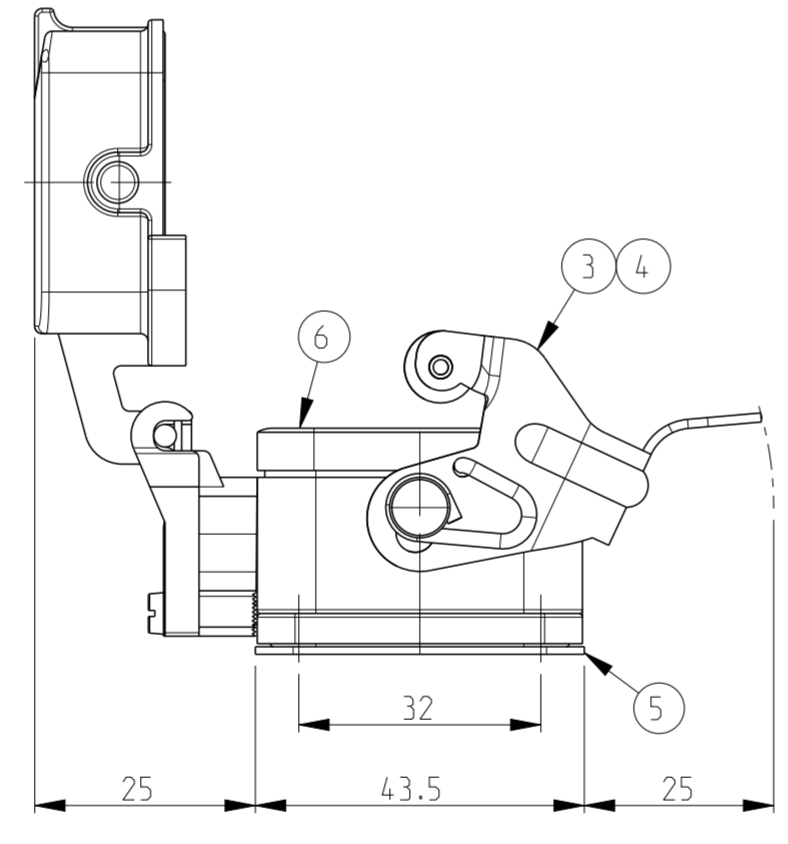
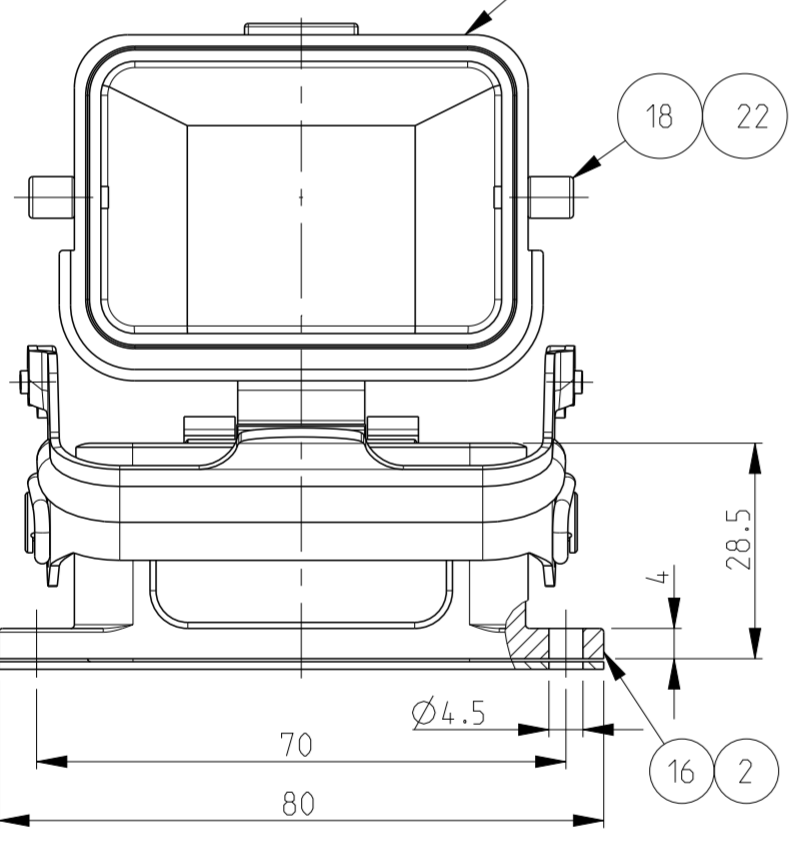
PN 1-2.2-2.0-1.0-2.0-3.0-4 & 0-6



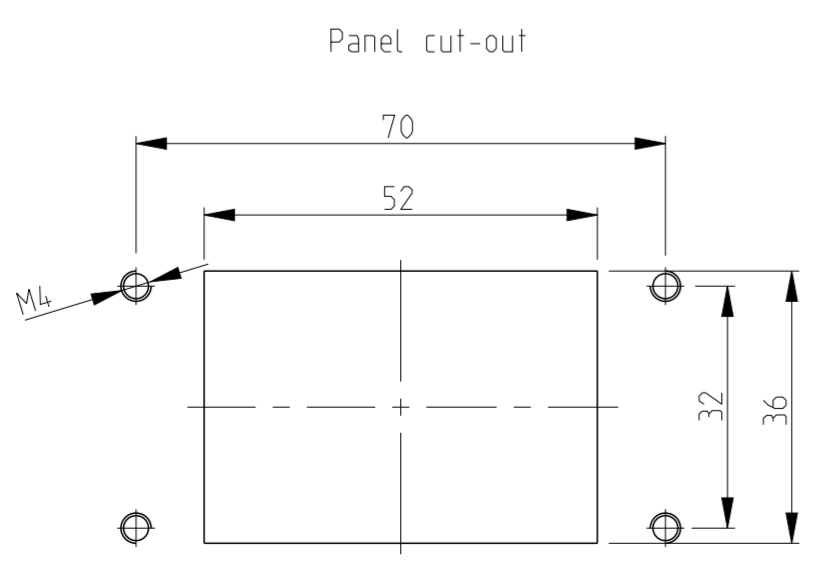
- NOTES.
- Material:Housing:Aluminium Diecasting Alloy
Seals :Neoprene: Viton
 - Surface: Varnish-Grey/fire-red /alu-colored
-Aluminium Oxide +
Varnish Black
Chromital TCP-Passivation
 - Varnish on the inside not necessary
 - Packaging
Quantity 5 Pieces in a box
 - Without TE product sign
 - Special Packaging
Quantity 50 Pieces in a Kanban box



PN 0-5 (Without logo), 2-3 (With logo)



QTY	DESCRIPTION	MATERIAL	SURFACE	COLOR	ITEM NO	NOTES								
2	LB Clip bolt	Stainless steel			22									
1	Cover HB-K	Aluminium	Aluminium oxide	Black	21									
1	Flange seal	Viton		Black	20									
1	Profile seal	Viton		Grey	19									
1	LB Clip bolt	Steel	Zinc plated	Blue	18									
1	Cover HB	Aluminium		Grey	17	Without TE logo								
1	Surface mounted housing bottom entry HB	Aluminium		Grey	16	Without TE logo								
1	Profile seal	Neoprene		Black	15	Conductive								
1	Cover HB-EMV	Aluminium	SEE NOTE	Black	14									
1	Surface mounted housing bottom entry HB-EMV	Aluminium	SEE NOTE	Black	13									
1	Cover HB	Aluminium		Borning ried	12									
1	Surface mounted housing bottom entry HB	Aluminium		Borning ried	11									
1	Cover HB	Aluminium	Aluminium oxide	Alu-colored	10									
1	Surface mounted housing bottom entry HB	Aluminium	Aluminium oxide	Alu-colored	9									
1	Cover HB	Aluminium	Aluminium oxide	Black	8									
1	Cover HB	Aluminium		Grey	7									
1	Flange seal	Neoprene		Black	6									
1	Profile seal	Neoprene		Black	5									
1	LB-Side clip HB	Stainless steel	Blank		4									
1	LB-Side clip HB	Steel	Zinc plated	Blue	3									
1	Surface mounted housing bottom entry HB-K	Aluminium	Aluminium oxide	Black	2									
1	Surface mounted housing bottom entry HB	Aluminium		Grey	1									
2-30-6	0-5	0-4	0-3	0-2	0-1	2-2	1-2	DESCRIPTION	MATERIAL	SURFACE	COLOR	ITEM NO	NOTES	
								HB.6.AGD-LB						
								HB-K.6.AGD-LB						
								HB-K.6.AGD-LB						
								HB.6.AGD-LB.KM						
								HB.6.AGD-LB.KM						
								HB-EMV.6.AGD-LB						
								HB.6.AGD-LB						
								HB.6.AGD-LB.V						
								HB-K.6.AGD-LB						



THIS DRAWING IS A CONTROLLED DOCUMENT.

DWN: Schneider 23.09.1999
CHK: Schweiger 23.09.1999
APVD: -

NAME: Surface mounted housing bottom entry HB.6.AGD-LB

PRODUCT SPEC: 108-74001/74003
APPLICATION SPEC: 114-74004/74005

SIZE: A2 CAGE CODE: 00779 DRAWING NO: C-1102246 RESTRICTED TO: -

WEIGHT: - SCALE: 1:1 SHEET: 1 OF 1 REV: B3

CUSTOMER DRAWING

单击下面可查看定价，库存，交付和生命周期等信息

[>>TE Connectivity\(泰科\)](#)