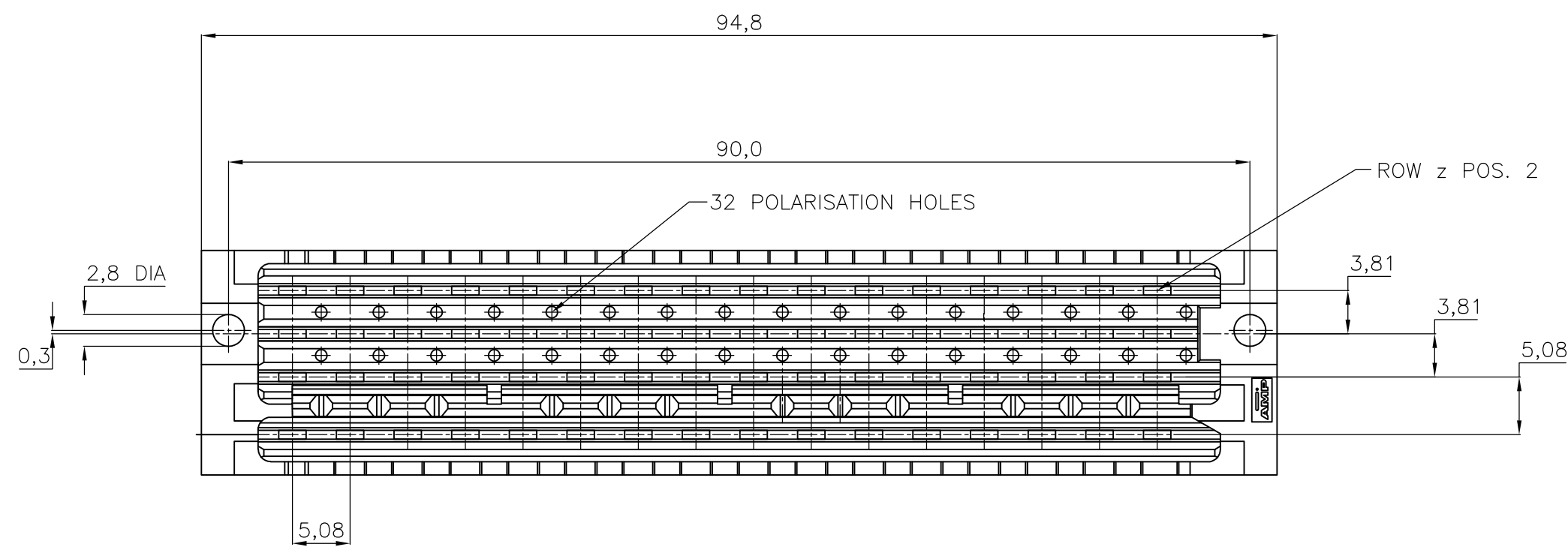


THIS DRAWING IS UNPUBLISHED. RELEASED FOR PUBLICATION  
 © COPYRIGHT BY TYCO ELECTRONICS CORPORATION. ALL RIGHTS RESERVED.

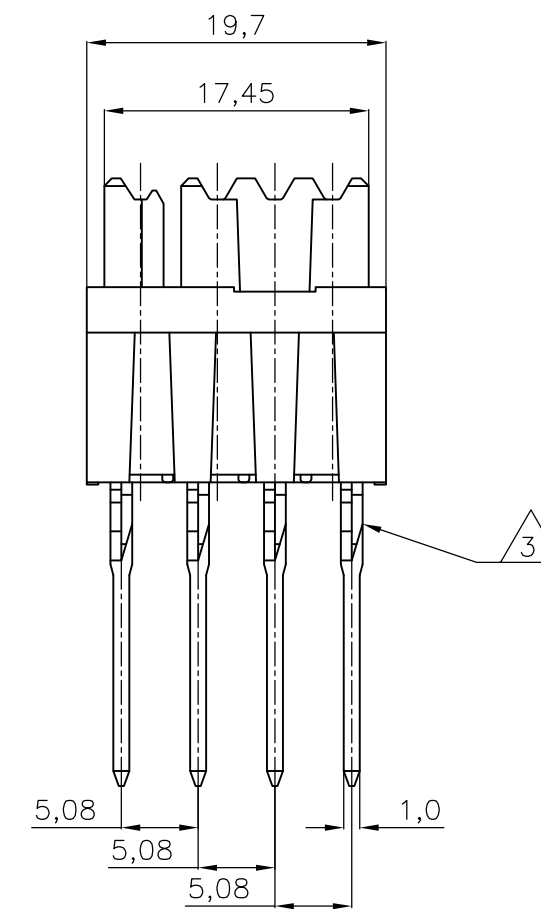
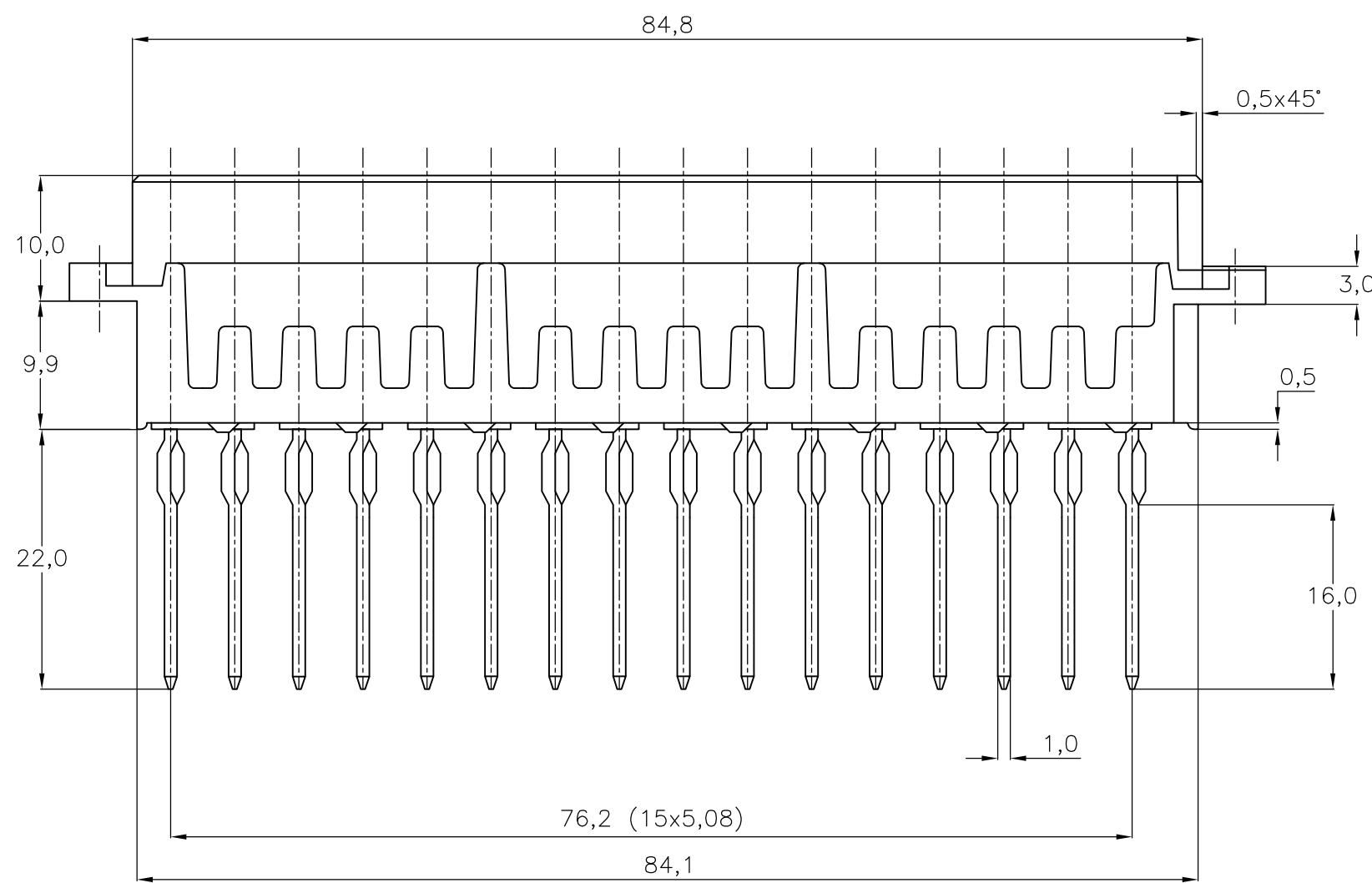
LOC		DIST		REVISIONS			
P	LTR	DESCRIPTION	DATE	DWN	APVD		
	A	-	-	-	-		
	B	-	-	-	-		
	C	ECR-07-011431	05-06-07	BSV	MKO		



NOTES:

- 1 MATERIAL:
  - HOUSING: G.F. THERMOPL. POLYESTER 94-V0
  - COLOUR : GREY
  - CONTACTS: PHOSPHORBRONZE
- 2 PLATING CONTACT :
  - 1 : 1,25 um Au OVER 1,25 um Ni AT CONTACT AREA,
  - REMAINDER 2,0um Sn OVER 1,25 um Ni
  - 4 : SAME AS -1 ONLY 0,8u Au AT CONTACT AREA
  - 7 : SAME AS -1 ONLY 2,0u Au AT CONTACT AREA
  - 8 : SAME AS -1 ONLY 0,2u Au AT CONTACT AREA
- 3 FOR PCB THICKNESS 2,4-3, 2.

P.C.B. HOLE DIM. ACTION PIN	
DRILLED HOLE	:1,75 ±1,25 mm
FIN. HOLE	:1,54 to 1,69 mm
AFTER REFLOW	:1,51 to 1,69 mm
Cu-thks	:0,025 to 0,075 mm
Sn-thks	:0,004 to 0,010 mm



ROW	z	b	d	f																	
P	OS	32	30	28	26	24	22	20	18	16	14	12	10	8	6	4	2				

AN ASTERISK „X” DENOTES A CONTACT.

OBSOLETE	SEE NOTE	SEE NOTE	167771-8
OBSOLETE	2	1	167771-7
			167771-4
			167771-1
	FINISH	MATERIAL	PARTNUMBER

THIS DRAWING IS A CONTROLLED DOCUMENT.		DWN	29JAN91	Tyco Electronics Corporation	
		CHK	04FEB91	's-Hertogenbosch, Nederland	
		APVD	04FEB91	NAME	
		PRODUCT SPEC		4x16 POS. TYPE G FEMALE WITH ACTION-PIN	
		APPLICATION SPEC		CONNECTOR PER DIN 41612	
		WEIGHT	-	SIZE	RESTRICTED TO
		CUSTOMER DRAWING		A2 00779	-
		SCALE	NTS	SHEET	1 OF 1
		REV	C		

单击下面可查看定价，库存，交付和生命周期等信息

[>>TE Connectivity\(泰科\)](#)