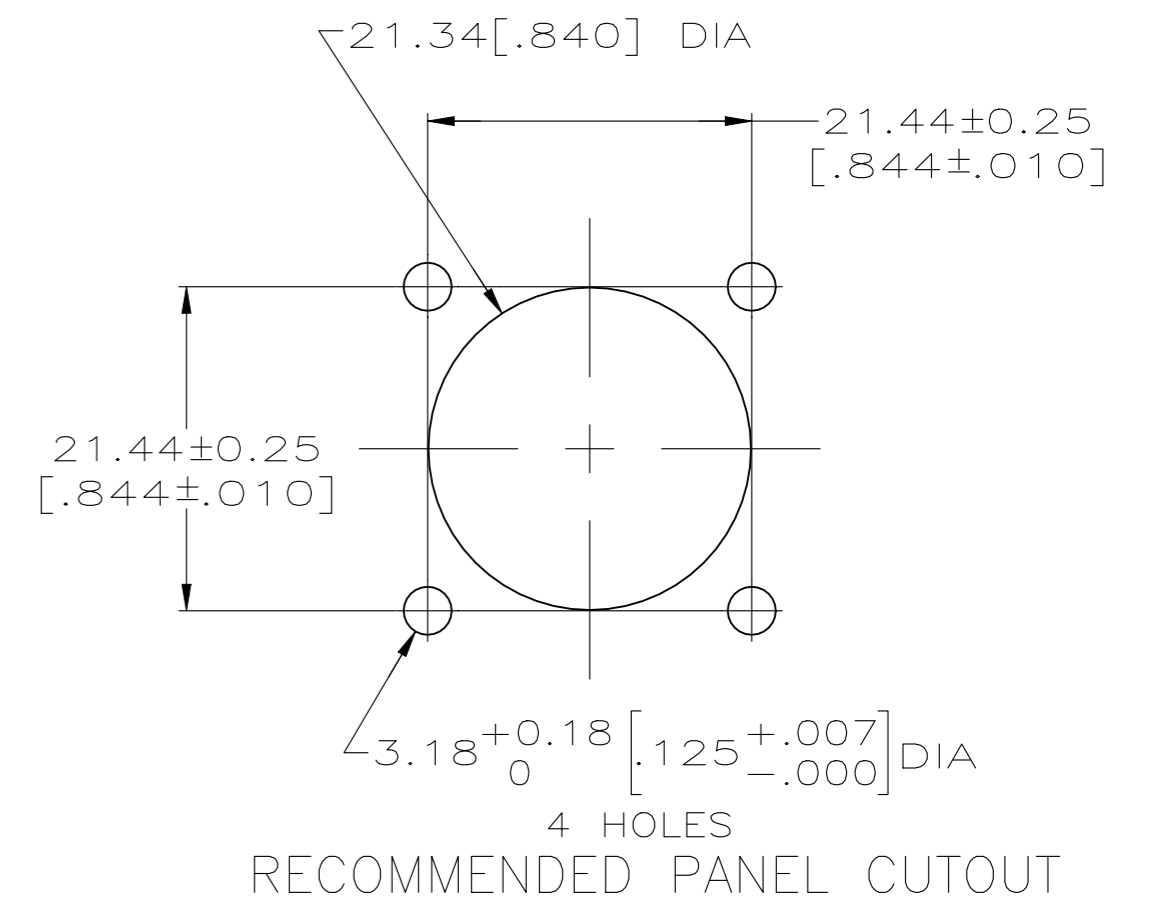
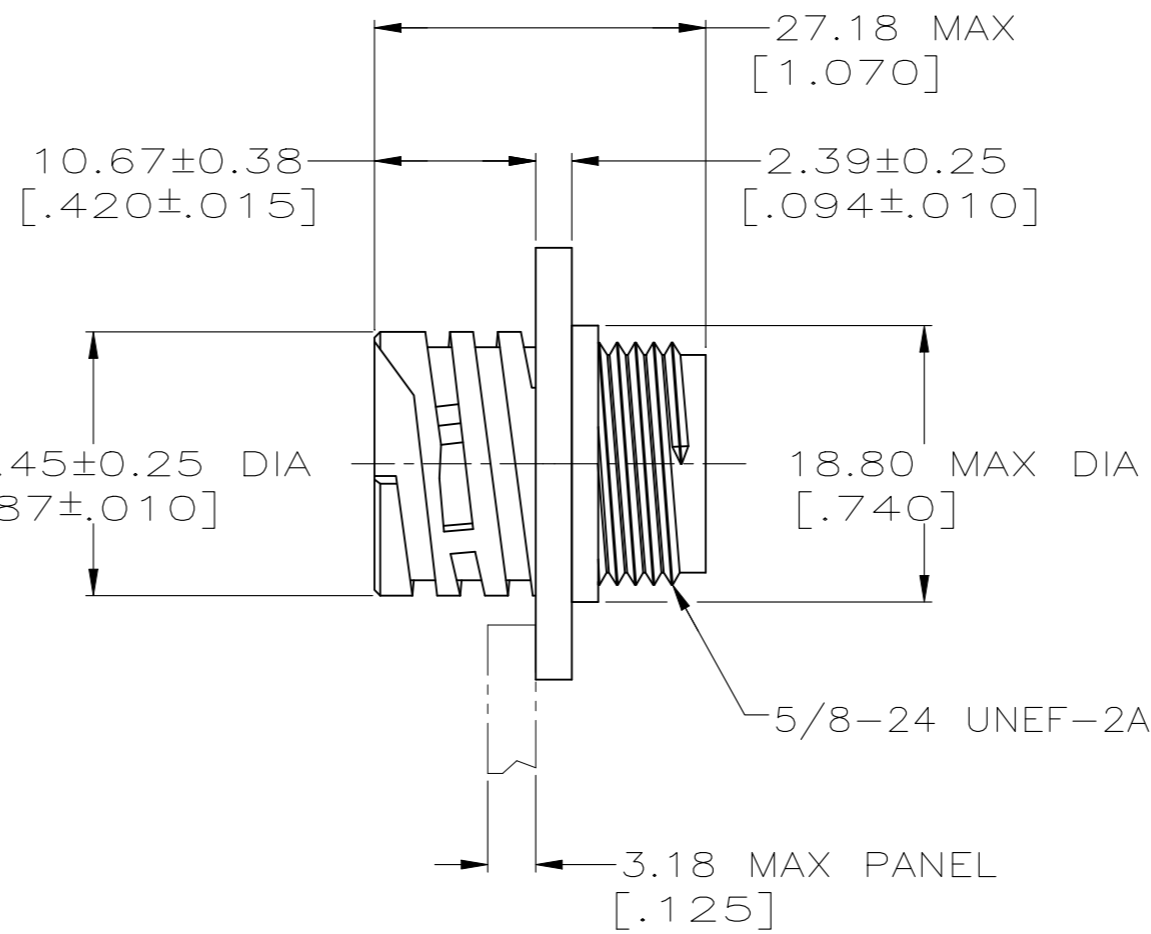
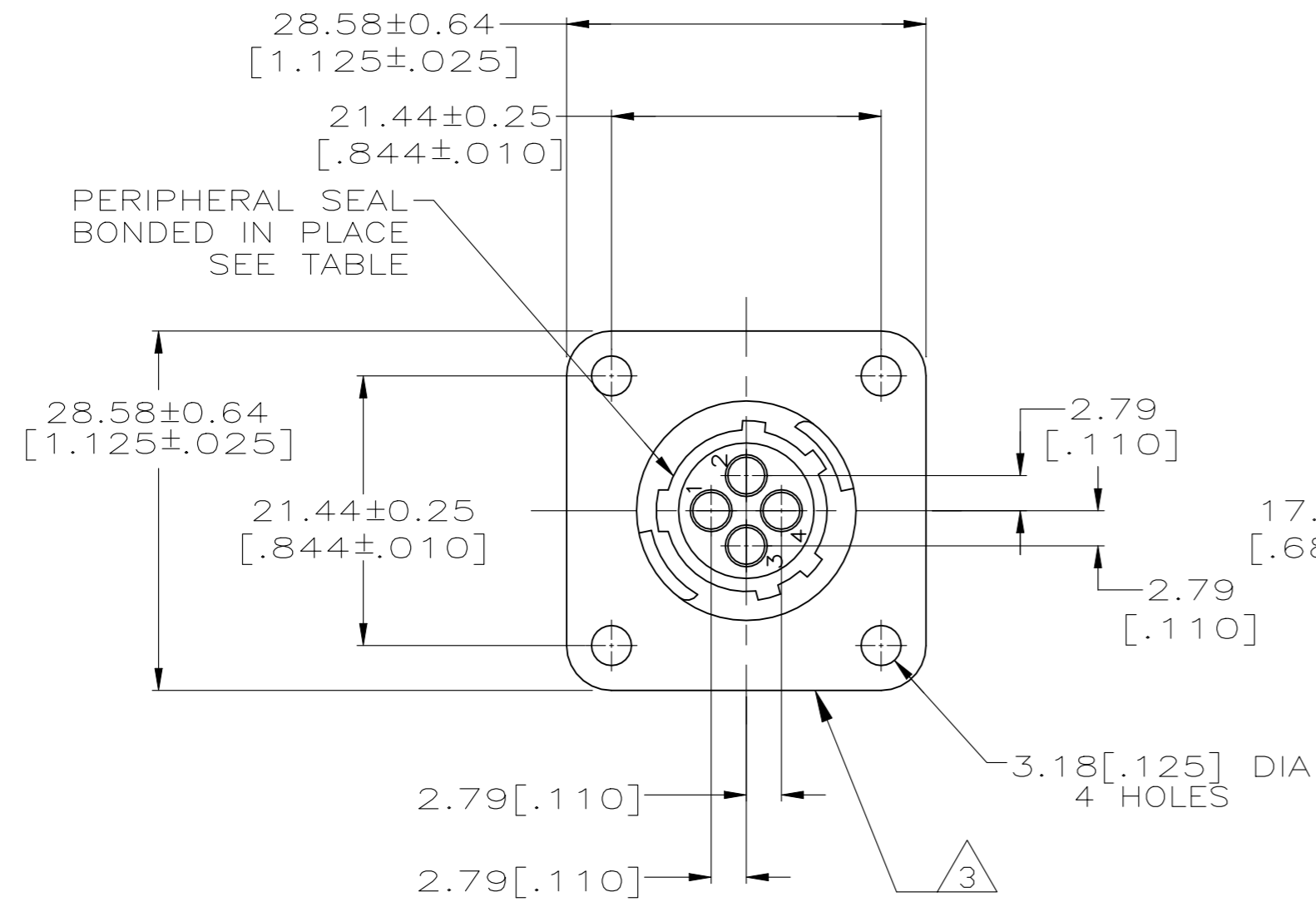
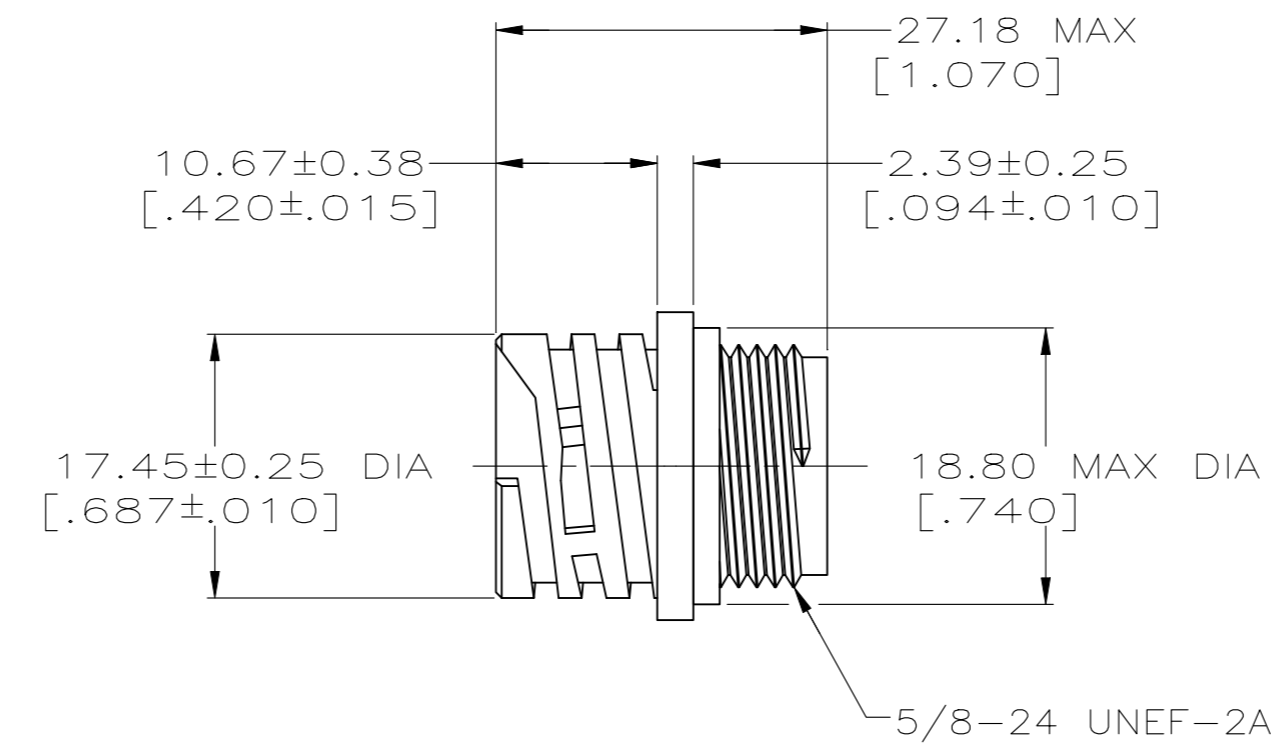
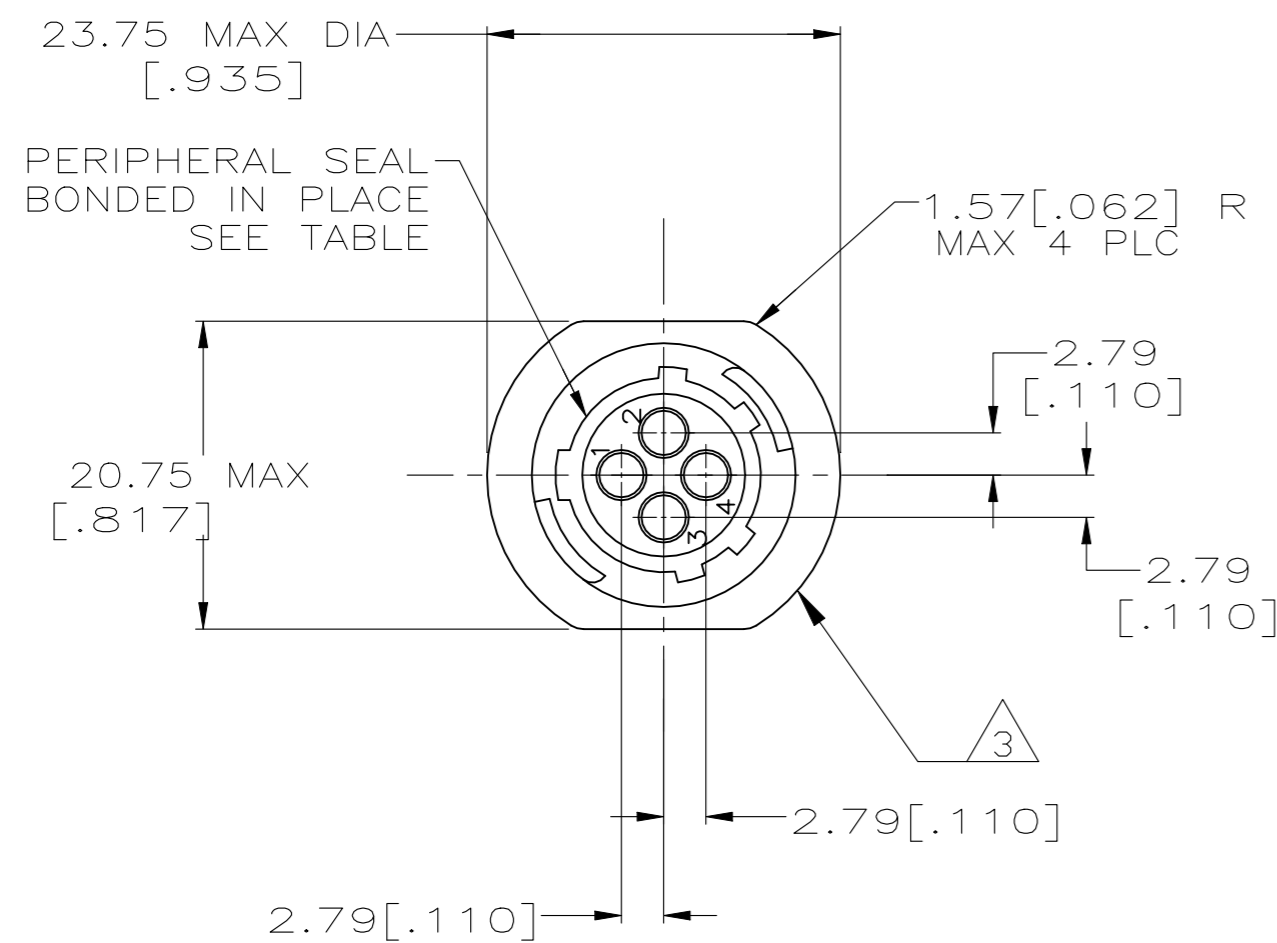


REVISIONS					
P	LTR	DESCRIPTION	DATE	DWN	APVD
L		REVISED PER ECO-21-006945	28OCT2021	RK	MZ



DETAIL A



DETAIL B

OBsolete	SMALL PACK	NO	A	206430-5
	STANDARD	YES	B	206430-4
	STANDARD	YES	A	206430-3
	STANDARD	NO	B	206430-2
	STANDARD	NO	A	206430-1
	PACKAGING	PERIPHERAL SEAL	SEE DETAIL	PART NO

- 1 CAVITY IDENTIFICATION ON FRONT AND REAR FACE.
- 2 WILL ACCEPT FOUR (4) MULTIMATE SOCKET CONTACTS.
- 3 TE LOGO AND PART NUMBER LOCATED ON ANY FLANGE EDGE

THIS DRAWING IS A CONTROLLED DOCUMENT.

DIMENSIONS: INCHES	TOLERANCES UNLESS OTHERWISE SPECIFIED:	DWN W.LENKER 09/09/92	TE Connectivity RECEPTACLE HOUSING, REVERSE SEX, SHELL SIZE 11, CPC
	0 PLC ± -	CHK R.STONE 08/11/93	
	1 PLC ± -	APVD A.FRANTUM 08/13/93	
	2 PLC ± 0.13 [.005]	PRODUCT SPEC 108-10024	
MATERIAL NYLON, BLACK	FINISH -	WEIGHT -	NAME SIZE CAGE CODE DRAWING NO RESTRICTED TO A2 00779 C=206430 -
CUSTOMER DRAWING		SCALE 2:1	SHEET 1 OF 1

单击下面可查看定价，库存，交付和生命周期等信息

[>>TE Connectivity\(泰科\)](#)