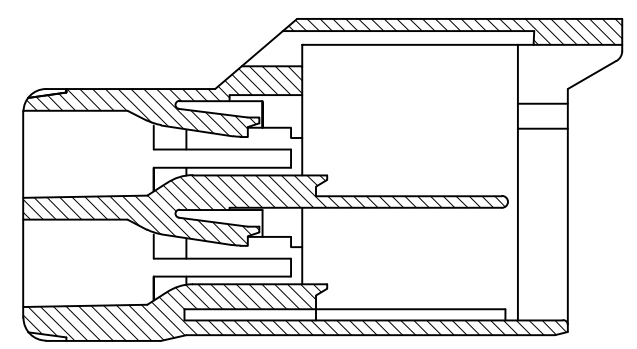
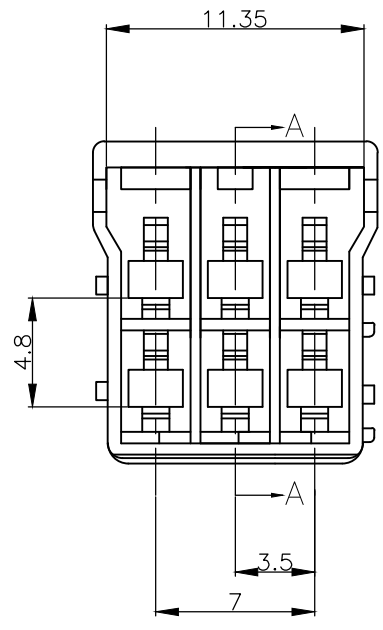
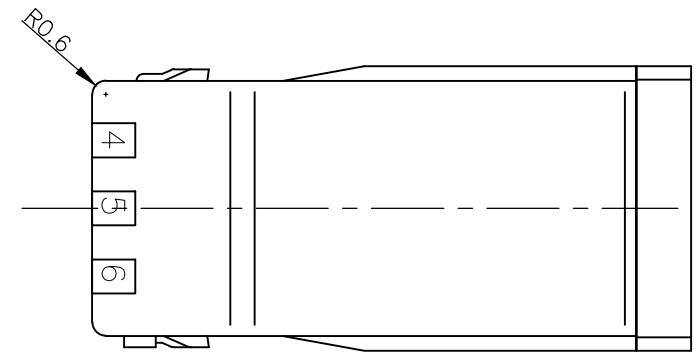
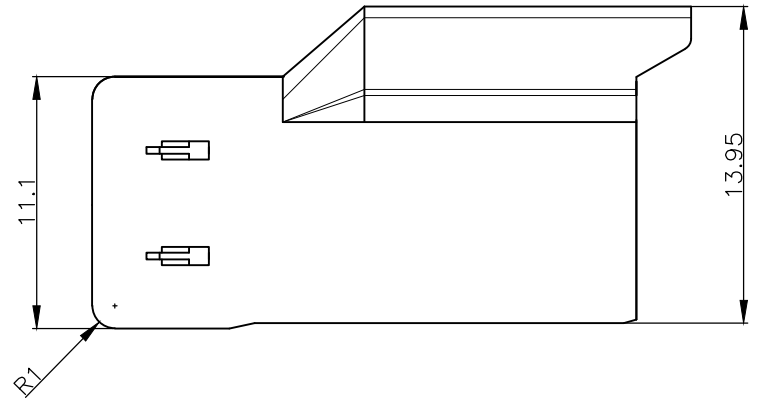
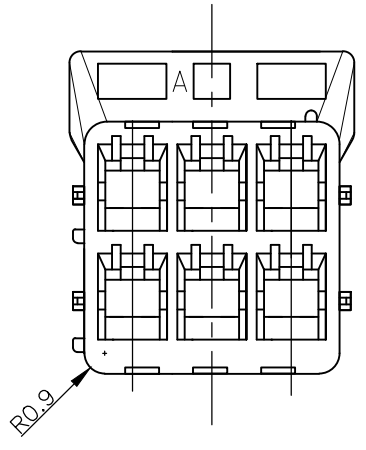
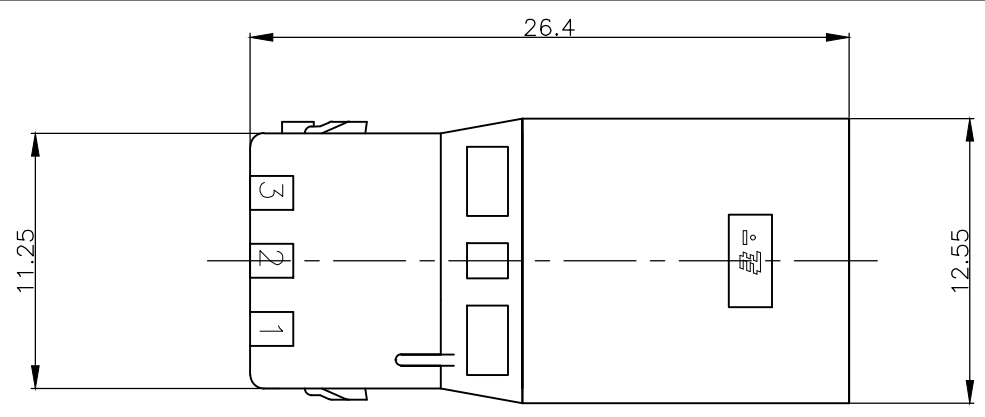


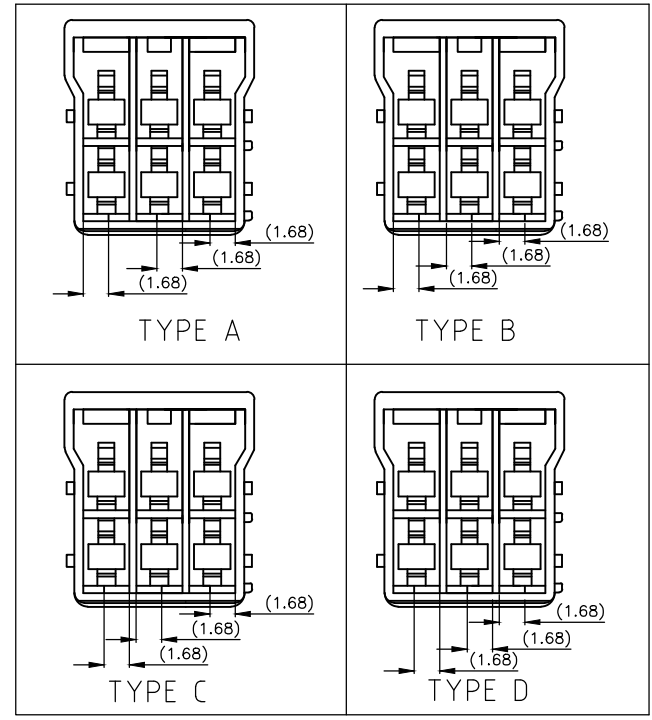
THIS DRAWING IS UNPUBLISHED. RELEASED FOR PUBLICATION
 © COPYRIGHT - TE Connectivity Ltd. ALL RIGHTS RESERVED.

REVISIONS 変更					
P	LTR	DESCRIPTION	DATE	DWN	APVD
	A1	REVISED PER ECR-20-006615	08MAY2020	SC	D.Z



断面 A-A


KEYING TYPE



3-1565084-4	D	YELLOW	3-1565088-4
2-1565084-3	C	BLUE	2-1565088-3
1-1565084-2	B	RED	1-1565088-2
1565084-1	A	NATURAL	1565088-1
MATING HSG P/N	KEYING TYPE	COLOR	P/N

注) 1.一般公差:±0.25
 △材料:66ナイロン ガラス無(UL94V-0)
 △かん合相手製品型番
 プラグハウジング: TABLE参照のこと
 タブコンタクト: 1565080-1,1612335-1
 4. 適応プレート型番: 1565090-1

NOTES)
 1.GENERAL TOLERANCE:±0.25
 △MATERIAL:66 NYLON NON-GLOSS FILLED (UL94V-0)
 △MATING CONN. P/N
 PLUG HOUSING:SEE TABLE
 TAB CONTACT ;1565080-1,1612335-1
 4. APPLICABLE PLATE P/N :1565090-1

THIS DRAWING IS A CONTROLLED DOCUMENT.		DWN A.OISHI 30 MAY. '02	 TE Connectivity		
DIMENSIONS: 単位: 耗 mm		CHK M.SHINDO 30 MAY. '02			
TOLERANCES UNLESS OTHERWISE SPECIFIED: 一般公差		APVD M.SHINDO 30 MAY. '02	NAME 名称 GRACE INERTIA CONNECTOR 3.5 6POS CAP HOUSING(2ROW)		
0 PLC ± - 1 PLC ± - 2 PLC ± - 3 PLC ± - 4 PLC ± - ANGLES ± -		PRODUCT SPEC 製品規格 108-5810	APVD M.SHINDO 30 MAY. '02		
MATERIAL 材料 SEE NOTE 2		FINISH 仕上 -	APPLICATION SPEC 取付適用規格 114-5306		
		WEIGHT -	NAME 名称 グレイス・イナーシャ・コネクタ 3.5 6極 キャップハウジング		
		CUSTOMER DRAWING		SIZE A3	CAGE CODE 00779
				DRAWING NO 番号 C-1565088	RESTRICTED TO -
				SCALE 尺度 -	SHEET 1 OF 1
				REV A1	

单击下面可查看定价，库存，交付和生命周期等信息

[>>TE Connectivity\(泰科\)](#)