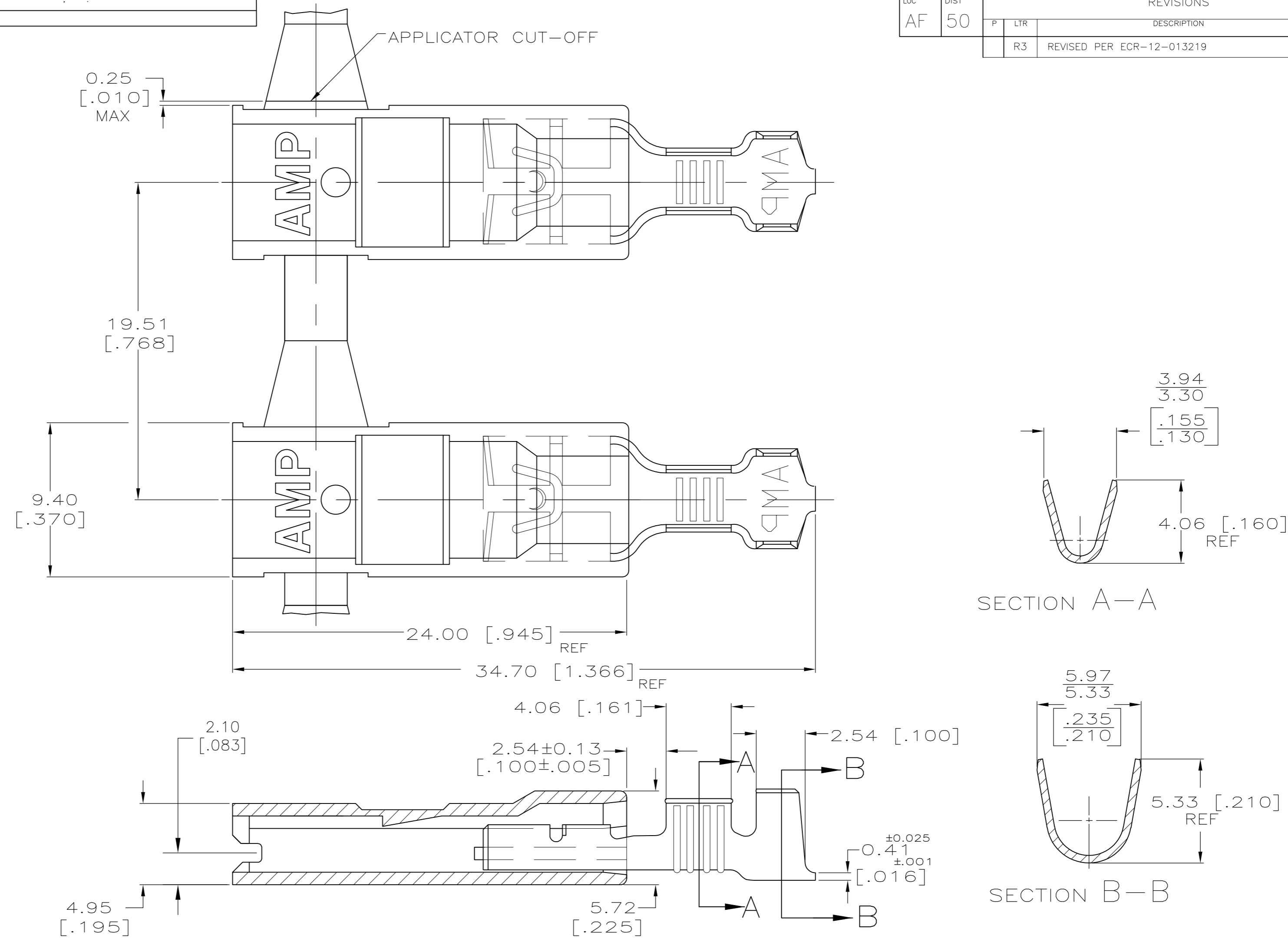


THIS DRAWING IS UNPUBLISHED. RELEASED FOR PUBLICATION
 © COPYRIGHT - By - ALL RIGHTS RESERVED.

LOC		DIST		REVISIONS			
P	LTR	DESCRIPTION	DATE	DWN	APVD		
AF	50	R3	REVISED PER ECR-12-013219	08JAN13	KH	KR	



- 1 LOW-INSERTION FASTON TERMINALS, BASE P/N 63306, ARE USED IN THIS PRODUCT.
- 2 TIN PLATE PER .002032 [.000080] MIN PER MIL-T-10727.
- 3 MATERIAL: HOUSING - 6/6 NYLON
TERMINAL - BRASS
- 4 FINISH: HOUSING - COLOR, NATURAL
TERMINAL - SEE TABLE

OBSELETE	BULK	TIN PLATE	INSULATION RANGE	WIRE SIZE	MATING TAB THK ±0.025 [±.001]	PART NO.
	BULK	2 TIN PLATE	2.79-4.32	0.8-2.0 mm ² [18-14]	0.813 [.032]	5-520963-2
	BULK	PLAIN	[.110-.170] DIA			5-520963-1
	STANDARD	2 TIN PLATE				520963-2
	STANDARD	PLAIN				520963-1
	PACKAGING	TERMINAL FINISH				

THIS DRAWING IS A CONTROLLED DOCUMENT.		DWN	JR RUTH	6/27/89	 TE Connectivity
		CHK	MS FEHER	6/27/89	
		APVD	R KUZO	6/27/89	
		PRODUCT SPEC	108-1285		
		APPLICATION SPEC	114-2124		NAME
		MATERIAL	3		SIZE
		FINISH	4		CAGE CODE
					DRAWING NO
					RESTRICTED TO
					SCALE
					SHEET
					REV

单击下面可查看定价，库存，交付和生命周期等信息

[>>TE Connectivity\(泰科\)](#)