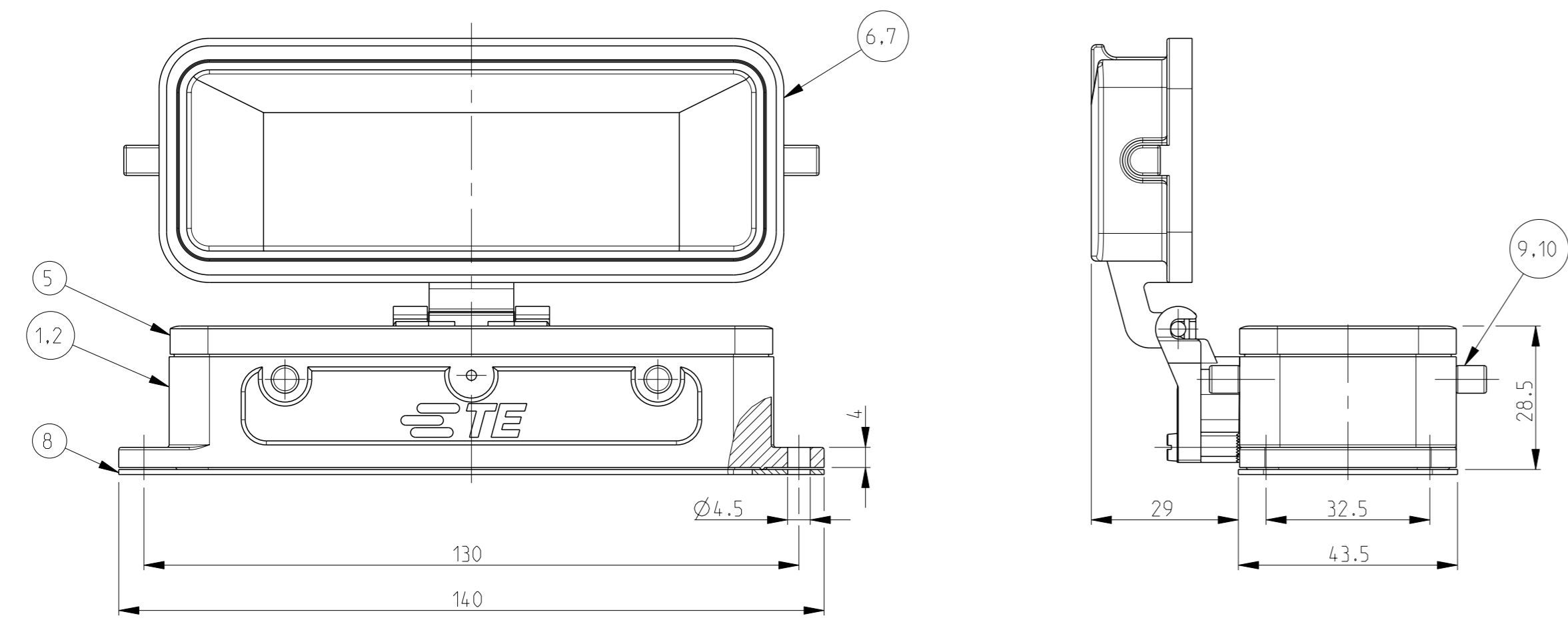
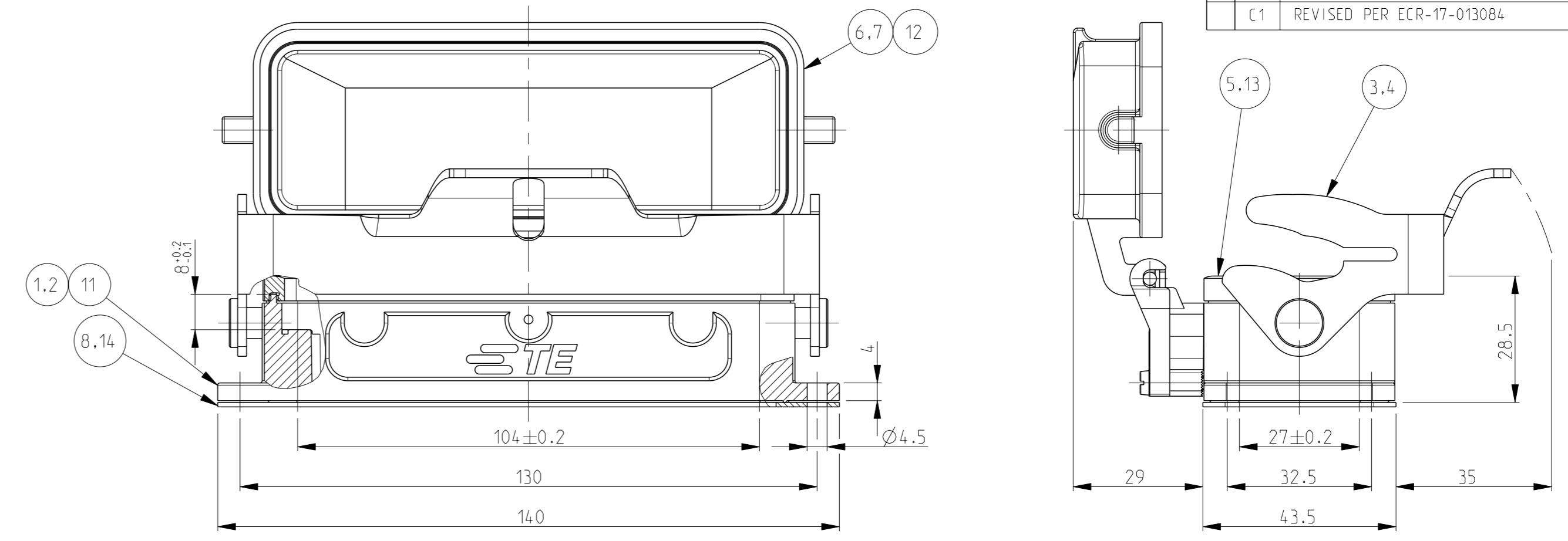


PN 1-6 & 2-6

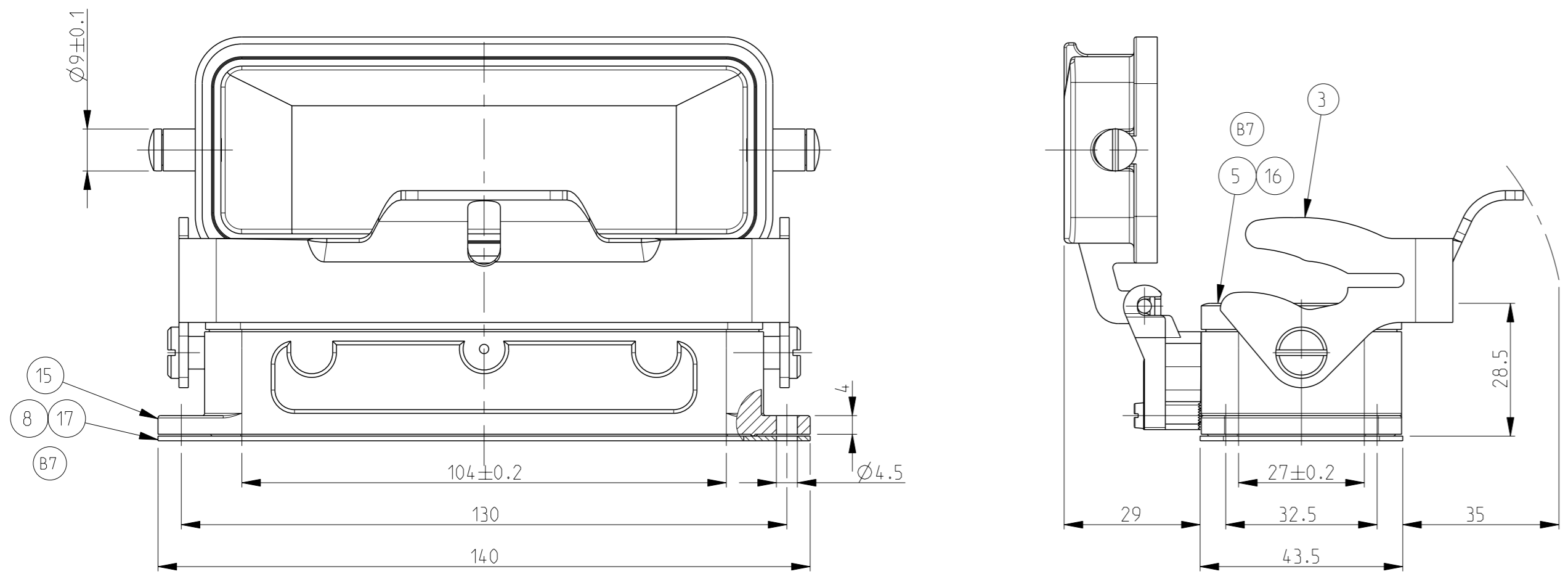


PN 1-2.2-2.0-2 & 0-3

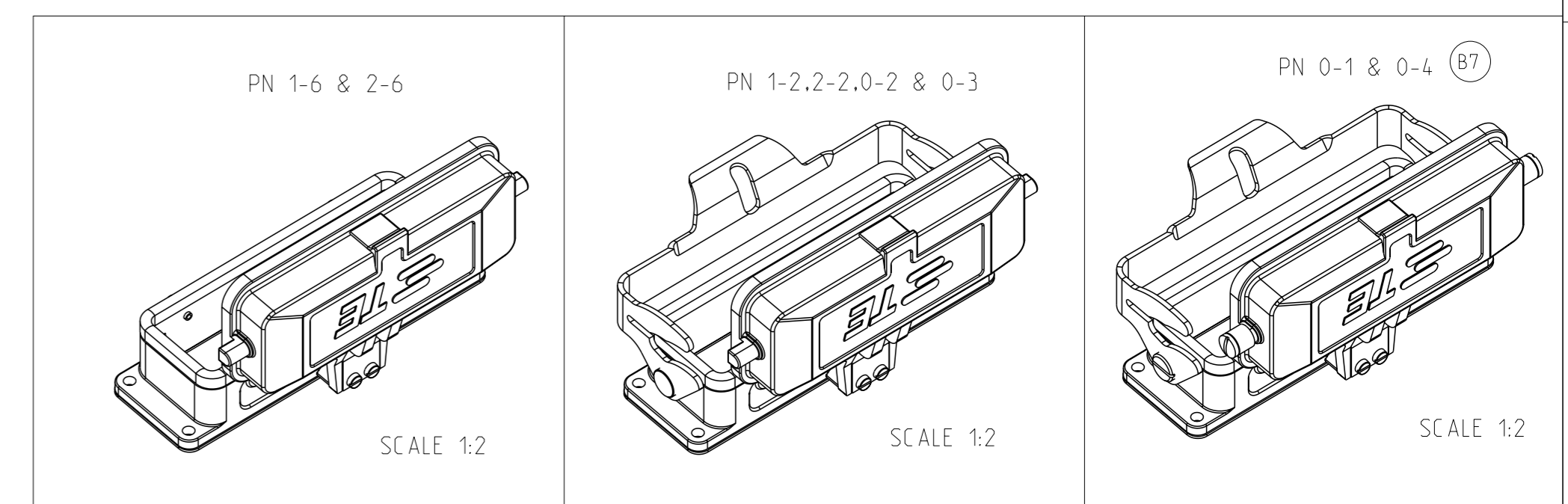


REVISIONS				
#	CL#	DESCRIPTION	DATE	OWN APVD
B7		RELEASED AS PER ECR 08-031365	15-JAN-09	CJ TS
B6		RELEASED AS PER ECR-07-030418	17-12-07	SP TS
C		ECR-15-015721	18FEB2016	GCM JB
C1		REVISED PER ECR-17-013084	10JAN2018	SRG MKO

PN 0-1 & 0-4 (B7)

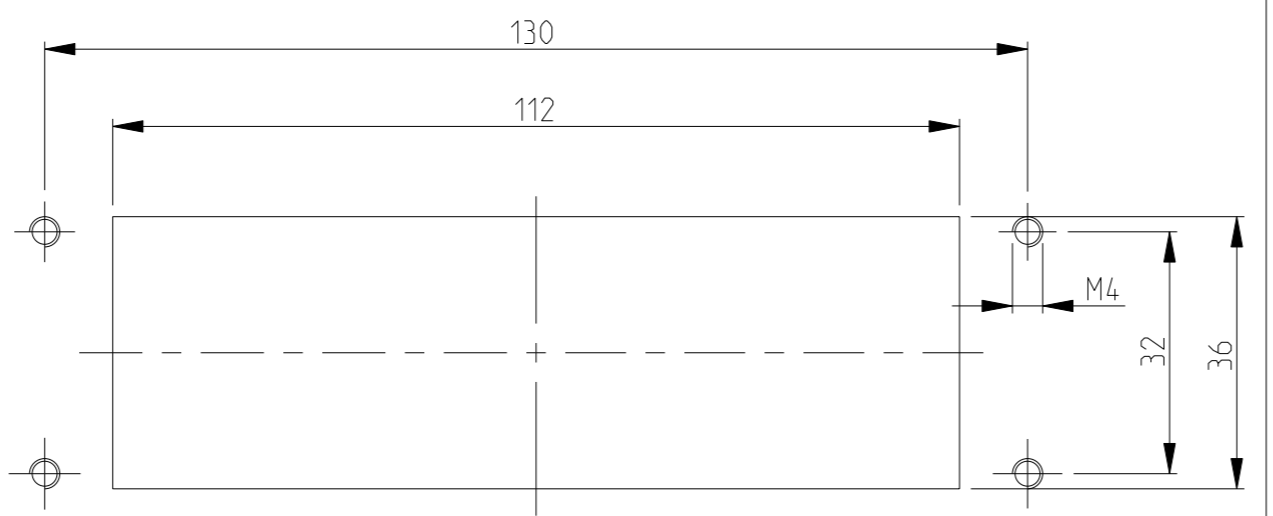
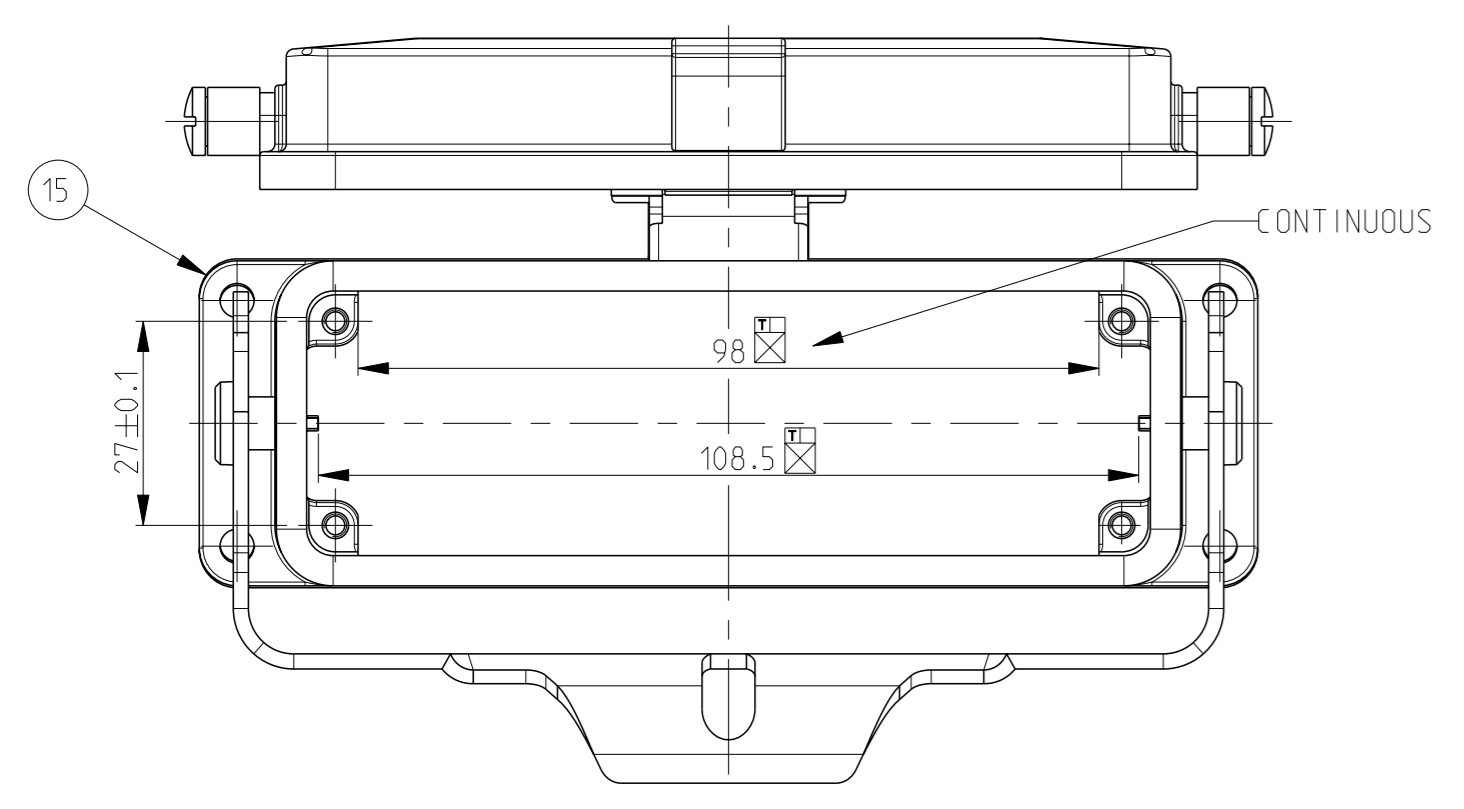


- NOTES
- 1 MATERIAL: HOUSING-ALUMINIUM DIECASTING ALLOY  
SEALS: NEOPRENE
  - 2 SURFACE: VARNISH -ALUMINIUM OXIDE +  
VARNISH BLACK  
-GREY
  - 3 VARNISH ON THE INSIDE NOT NECESSARY
  - 4 WITHOUT TE LOGO
  - 5 PACKAGING QUANTITY: 5 PIECES IN A BOX



LANDING MILLED OFF

PANEL CUT-OUT



QTY	DESCRIPTION	MATERIAL	SURFACE	COLOR	ITEM NO	REMARKS
1	FLANGE SEAL	VITON		BLACK	17	
1	PROFILE SEAL	VITON		BLACK	16	
1	SURFACE MOUNTED HOUSING BOTTOM ENTRY HB	ALUMINIUM		GREY	15	
1	FLANGE SEAL	NEOPRENE		BLACK	14	CONDUCTIVE
1	PROFILE SEAL	NEOPRENE		BLACK	13	CONDUCTIVE
1	COVER HB	ALUMINIUM	Chromit AL PASSIVATION	BLACK	12	
1	SURFACE MOUNTED HOUSING BOTTOM ENTRY HB	ALUMINIUM	Chromit AL PASSIVATION	BLACK	11	
4	VS-CLIP BOLT	STAINLESS STEEL	BLANK		10	
1	VS-CLIP BOLT	STEEL	ZINC PLATED	BLUE	9	
1	FLANGE SEAL	NEOPRENE		BLACK	8	
1	COVER HB-K	ALUMINIUM	ALUMINIUM OXIDE	BLACK	7	
1	COVER HB	ALUMINIUM		GREY	6	
1	PROFILE SEAL	NEOPRENE		BLACK	5	
1	LB-SIDE CLIP	STAINLESS STEEL	BLANK		4	
1	LB-SIDE CLIP	STEEL	ZINC PLATED	BLUE	3	
1	SURFACE MOUNTED HOUSING BOTTOM ENTRY HB-K	ALUMINIUM	ALUMINIUM OXIDE	BLACK	2	
1	SURFACE MOUNTED HOUSING BOTTOM ENTRY HB	ALUMINIUM		GREY	1	

QTY	DESCRIPTION	MATERIAL	SURFACE	COLOR	ITEM NO	REMARKS
0-4	ORDERING TEXT					
0-3						
0-1						
0-2						
2-6						
1-6						
2-2						
1-2						

THIS DRAWING IS A CONTROLLED DOCUMENT. OWN: Schneider 03.04.2000  
 CHK: Schneider 03.04.2000

DIMENSIONS: mm

TOLERANCES UNLESS OTHERWISE SPECIFIED:  
 0 PLG ±0.1  
 1 PLG ±0.1  
 2 PLG ±0.1  
 3 PLG ±0.1  
 4 PLG ±0.1  
 ANGLES FINISH

MATERIAL

TE Connectivity

NAME: SURFACE MOUNTED HOUSING BOTTOM ENTRY HB.24.AGD

PRODUCT SPEC: 108-74001/108-74003  
 APPLICATION SPEC: 116-74001/116-74004

SIZE: A1 CAGE CODE: 00779 DRAWING NO: 1102340 RESTRICTED TO: -

CUSTOMER DRAWING SCALE: 1:1 SHEET: 1 OF 1 REV: C1

单击下面可查看定价，库存，交付和生命周期等信息

[>>TE Connectivity\(泰科\)](#)