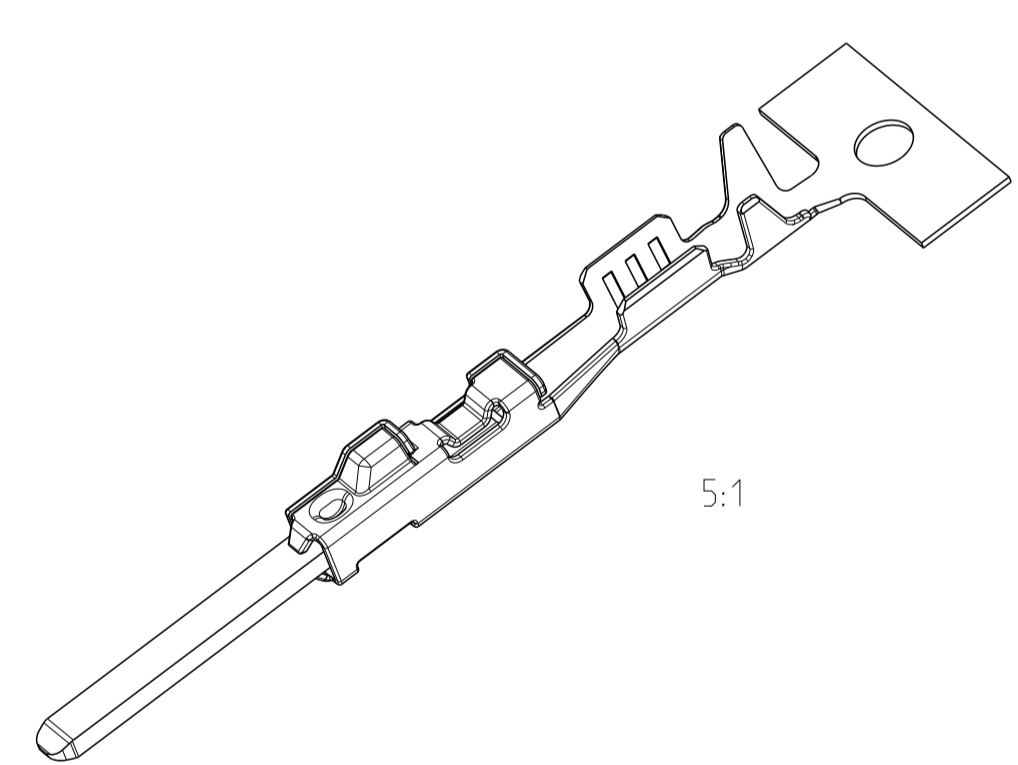


ORDER NO. Bestell-Nr. STRIP Bandware	REV	ORDER NO. Bestell-Nr. LOOSE PIECE Einzelausführung	WIRE RANGE Drahtgrößen- bereich (mm <sup>2</sup> )	INSULATION-Ø Isolation-Ø (mm)	BODY Kontaktkörper	TAB Flachstecker	BODY Kontaktkörper	TAB Flachstecker	LENGTH Laenge	WIRE CRIMP Drahtcrimp	INSULATION CRIMP Isolationscrimp	DIMENSION MASS 'L' (mm)	INSULATION CRIMP FOR Isolationscrimp	MATERIAL Werkstoff		SURFACE Oberfläche		CRIMP DIMENSIONS Crimpabmessungen (mm)		DIMENSION MASS 'L' (mm)	INSULATION CRIMP FOR Isolationscrimp	SINGLE WIRE SEALING SYSTEM Einzeldichtungs-system
														CuSn4	CuSn0.15/0.20	TIN PLATED verzinkt	TIN PLATED verzinkt	A	B			
2177610-3	A	-	1.0-1.5	1.9-2.4	CuSn4	CuSn0.15/0.20	TIN PLATED verzinkt	TIN PLATED verzinkt	16.8	A = 3.0 B = 2.0 C = 6.8	E = 2.6 G = 2.9 D <sub>cr</sub> = 1.35	H = 4.4 K = 4.3 D <sub>150</sub> = 2.9	16.8	7								
2177610-1	A	-	0.5-0.75	1.4-1.9	CuSn4	CuSn0.15/0.20	TIN PLATED verzinkt	TIN PLATED verzinkt	16.3	A = 2.6 B = 2.0 C = 6.4	E = 2.0 G = 2.1 D <sub>cr</sub> = 1.1	H = 4.2 K = 4.3 D <sub>150</sub> = 2.7	16.3	7								
214 1116-3	B	-	0.25-0.35	1.1-1.6	CuSn4	CuSn0.15/0.20	TIN PLATED verzinkt	TIN PLATED verzinkt	16.3	A = 2.6 B = 2.0 C = 6.4	E = 1.8 G = 1.8 D <sub>cr</sub> = 0.8	H = 4.2 K = 4.3 D <sub>150</sub> = 2.6	16.3	7								
214 1114-3	B	-	1.0-1.5	1.9-2.4	CuSn0.15/0.20	CuSn0.15/0.20	TIN PLATED verzinkt	TIN PLATED verzinkt	16.3	A = 3.0 B = 2.0 C = 6.1	E = 2.6 G = 2.9 D <sub>cr</sub> = 1.35	H = 3.7 K = 3.9 D <sub>150</sub> = 2.1	16.3	7								
1718352-3	-	-	0.5-0.75	1.4-1.9	CuSn0.15/0.20	CuSn0.15/0.20	TIN PLATED verzinkt	TIN PLATED verzinkt	16.3	A = 3.0 B = 2.0 C = 6.1	E = 2.0 G = 2.1 D <sub>cr</sub> = 1.1	H = 2.7 K = 2.9 D <sub>150</sub> = 1.6	16.3	7								
1718352-2	-	-	0.25-0.35	1.1-1.6	CuSn0.15/0.20	CuSn0.15/0.20	TIN PLATED verzinkt	TIN PLATED verzinkt	15.3	A = 2.6 B = 2.0 C = 5.7	E = 1.8 G = 1.8 D <sub>cr</sub> = 0.8	H = 2.6 K = 2.6 D <sub>150</sub> = 1.4	15.3	7								
1718352-1	-	-	1.0-1.5	1.9-2.4	CuSn0.15/0.20	CuSn0.15/0.20	TIN PLATED verzinkt	TIN PLATED verzinkt	16.3	A = 3.0 B = 2.0 C = 6.1	E = 2.6 G = 2.9 D <sub>cr</sub> = 1.35	H = 3.7 K = 3.9 D <sub>150</sub> = 2.1	16.3	7								
1718350-3	B	1718390-3	0.5-0.75	1.4-1.9	CuSn0.15/0.20	CuSn0.15/0.20	TIN PLATED verzinkt	TIN PLATED verzinkt	16.3	A = 3.0 B = 2.0 C = 6.1	E = 2.0 G = 2.1 D <sub>cr</sub> = 1.1	H = 2.7 K = 2.9 D <sub>150</sub> = 1.6	16.3	7								
1718350-2	B	1718390-2	1.0-1.5	1.9-2.4	CuSn0.15/0.20	CuSn0.15/0.20	TIN PLATED verzinkt	TIN PLATED verzinkt	16.3	A = 3.0 B = 2.0 C = 6.1	E = 2.6 G = 2.9 D <sub>cr</sub> = 1.35	H = 3.7 K = 3.9 D <sub>150</sub> = 2.1	16.3	7								
1718350-1	B	1718390-1	0.25-0.35	1.1-1.6	CuSn0.15/0.20	CuSn0.15/0.20	TIN PLATED verzinkt	TIN PLATED verzinkt	15.3	A = 2.6 B = 2.0 C = 5.7	E = 1.8 G = 1.8 D <sub>cr</sub> = 0.8	H = 2.6 K = 2.6 D <sub>150</sub> = 1.4	15.3	7								
1718348-3	A	1703698-3	1.0-1.5	1.9-2.4	CuSn0.15/0.20	CuSn0.15/0.20	TIN PLATED verzinkt	TIN PLATED verzinkt	16.3	A = 3.0 B = 2.0 C = 6.1	E = 2.6 G = 2.9 D <sub>cr</sub> = 1.35	H = 3.7 K = 3.9 D <sub>150</sub> = 2.1	16.3	7								
1718348-2	A	1703698-2	0.25-0.35	1.1-1.6	CuSn0.15/0.20	CuSn0.15/0.20	TIN PLATED verzinkt	TIN PLATED verzinkt	15.3	A = 2.6 B = 2.0 C = 5.7	E = 1.8 G = 1.8 D <sub>cr</sub> = 0.8	H = 2.6 K = 2.6 D <sub>150</sub> = 1.4	15.3	7								
1718348-1	A	1703698-1	1.0-1.5	1.9-2.4	CuSn0.15/0.20	CuSn0.15/0.20	TIN PLATED verzinkt	TIN PLATED verzinkt	16.3	A = 3.0 B = 2.0 C = 6.1	E = 2.6 G = 2.9 D <sub>cr</sub> = 1.35	H = 3.7 K = 3.9 D <sub>150</sub> = 2.1	16.3	7								

- 1 LASER WELDED  
Lasergeschweisst
- 2 REVISION STATUS  
Revisionsstand
- 3 CONTACT AREA TAB MIN. 0.8µm SELECTIV GOLD OVER Ni  
Kontaktzone selectiv vergoldet min.0.8µm ueber Ni
- 4 CONTACT AREA TAB MIN. 2.0µm SELECTIV SILVER  
Kontaktzone selectiv versilbert min.2.0µm
- 5 RETENTION FORCE INSERT TAB PUSHED INSIDE BODY MIN. 40N  
Haltekraefte Insertab in Body "gedrueckt" min. 40N
- 6 DIFFERENT FORM OF THE SERRATIONS AND WIRE-CRIMP POSSIBLE  
unterschiedliche Ausfuehrung der Rillen und des Draht-Crimps moeglich
- 7 SEE APPLICATION SPECIFICATION TE-SPEC. 114-18464  
siehe Verarbeitungsspezifikation



B10 PRODUCT CHARACTERISTICS ACC. QMP_IMEA_012 BESONDERE MERKMALE NACH QMP_IMEA_012		TOLERANCING ISO 8015 TOLERIERUNG ISO 8015	
THIS DRAWING IS A CONTROLLED DOCUMENT. DIESER ZEICHNUNGSDRUCK IST EIN DURCH AMP KONTROLLIERTES URKUNDE. ANSPRUCH: DIESE ZEICHNUNG DARF NICHT VERÄNDERT WERDEN, OHNE VORABGEABTE DIESELBE ZEICHNUNG MIT DEN NEUEN VERÄNDERUNGEN ZU VERWENDEN.		DWN J.SIENKIEWICZ 29APR2004 CHK G.HOTEA 29APR2004 APVD W. Mueller 29APR2004	
DIMENSIONS MASSENMEN (mm)		TOLERANCES UNLESS OTHERWISE SPECIFIED: ALLGEMEINTOLERANZEN	
MATERIAL		WEIGHT GEWICHT	
Customer Drawing		Customer Drawing	
NAME MCON 1.2 TAB-CB-TERMINAL MCON 1.2 Tab-CB-Flachstecker		SCALE 10:1	
SIZE A1 00779		SHEET 1 OF 1	
DRAWING NO. 114-18464		REV B10	

单击下面可查看定价，库存，交付和生命周期等信息

[>>TE Connectivity\(泰科\)](#)