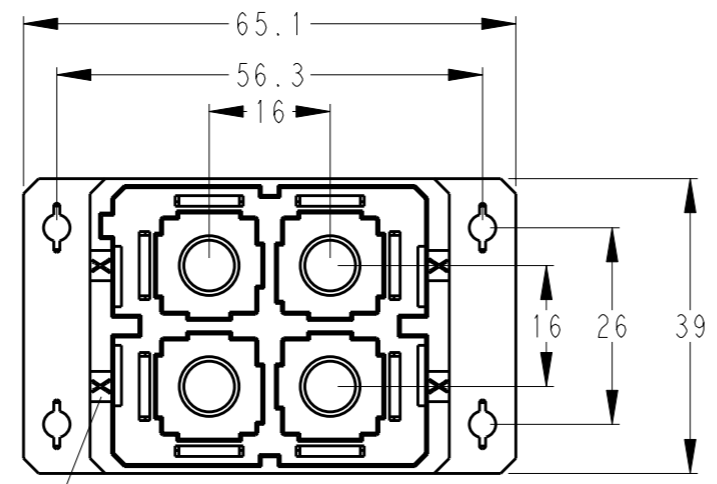
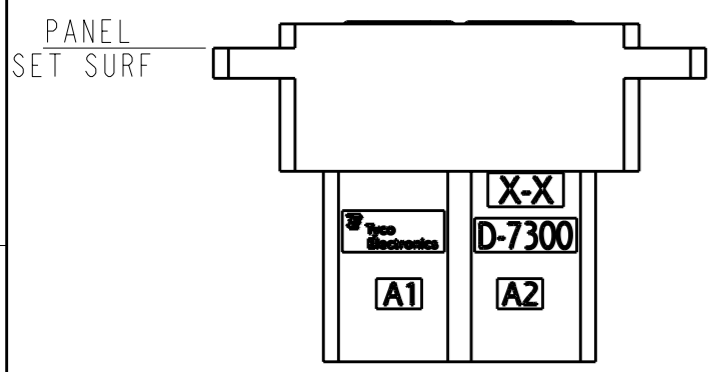


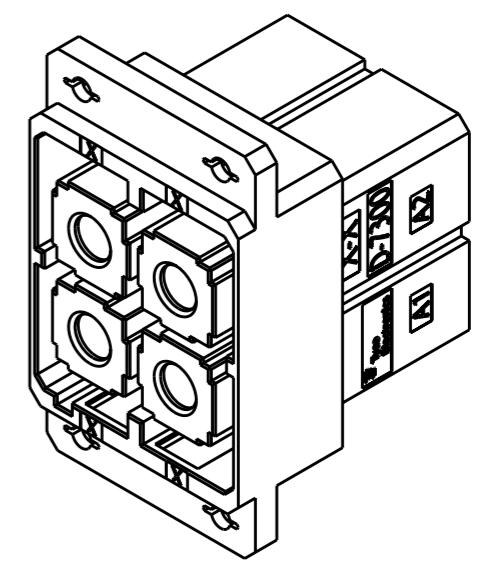
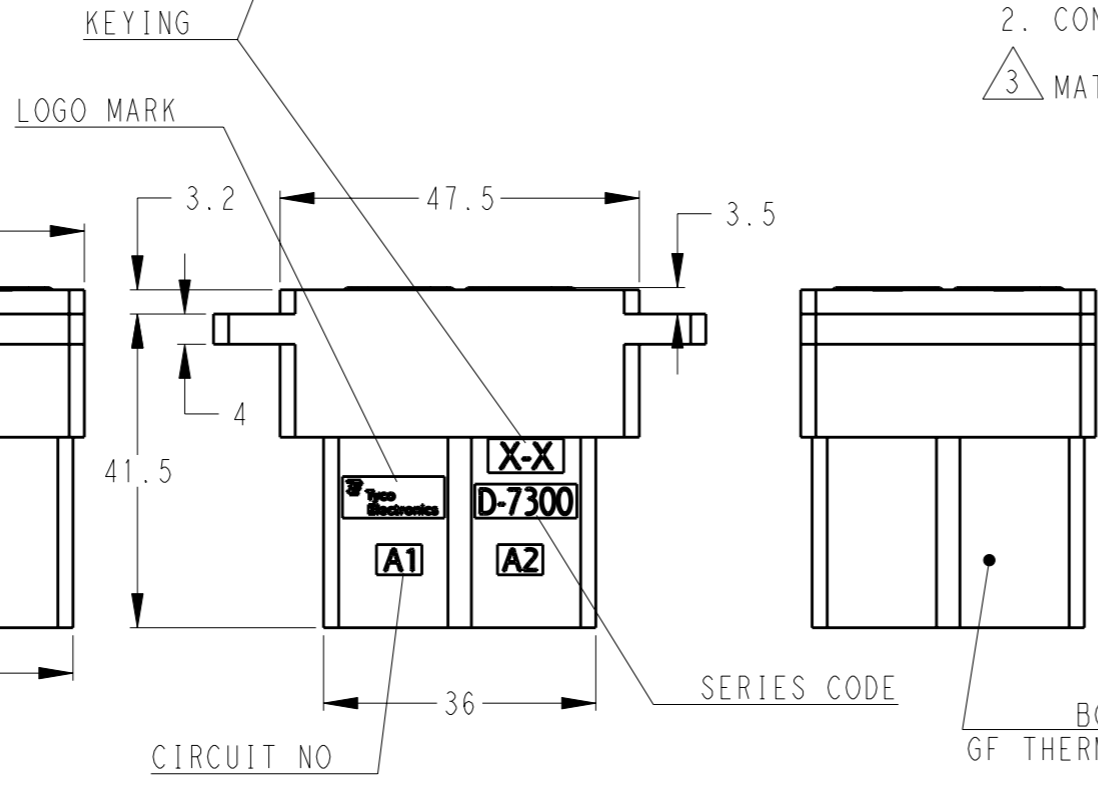
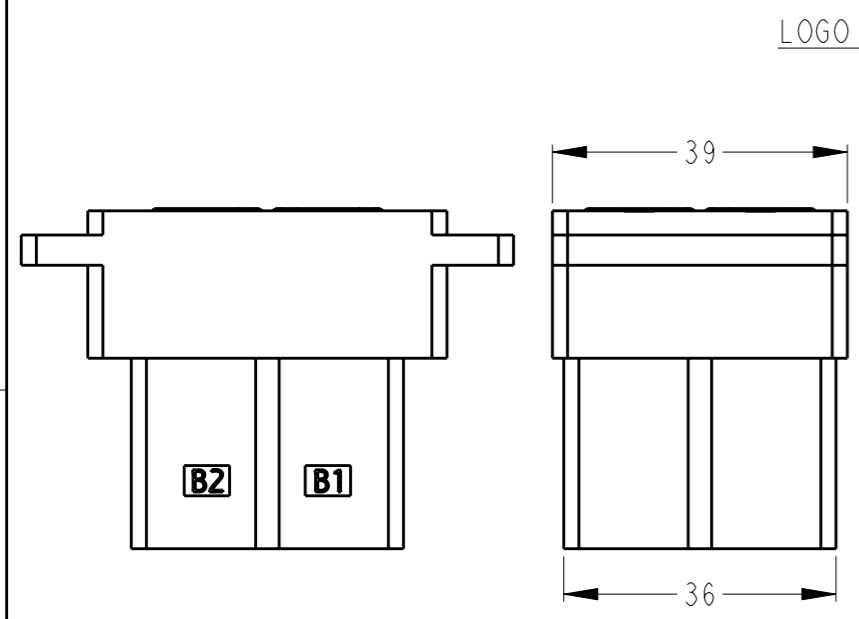
THIS DRAWING IS UNPUBLISHED. RELEASED FOR PUBLICATION 20
 © COPYRIGHT 20 BY TYCO ELECTRONICS CORPORATION. ALL RIGHTS RESERVED.

LOC	DIST	REVISIONS					
		P	LTR	DESCRIPTION	DATE	DWN	APVD
J	-		B	REVISED PER ECR-10-025568	14DEC2010	M.M	N.Y

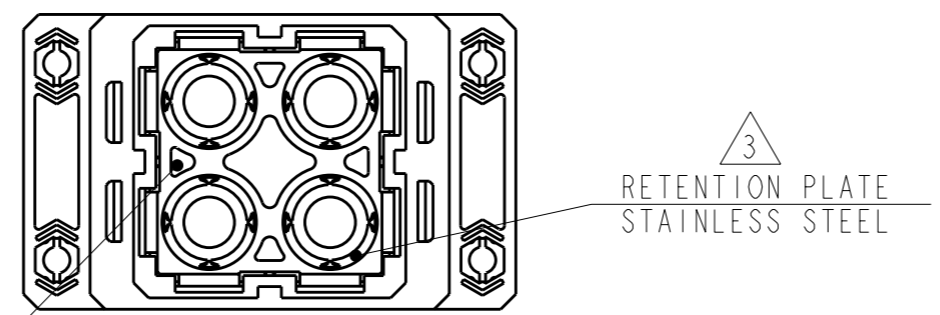
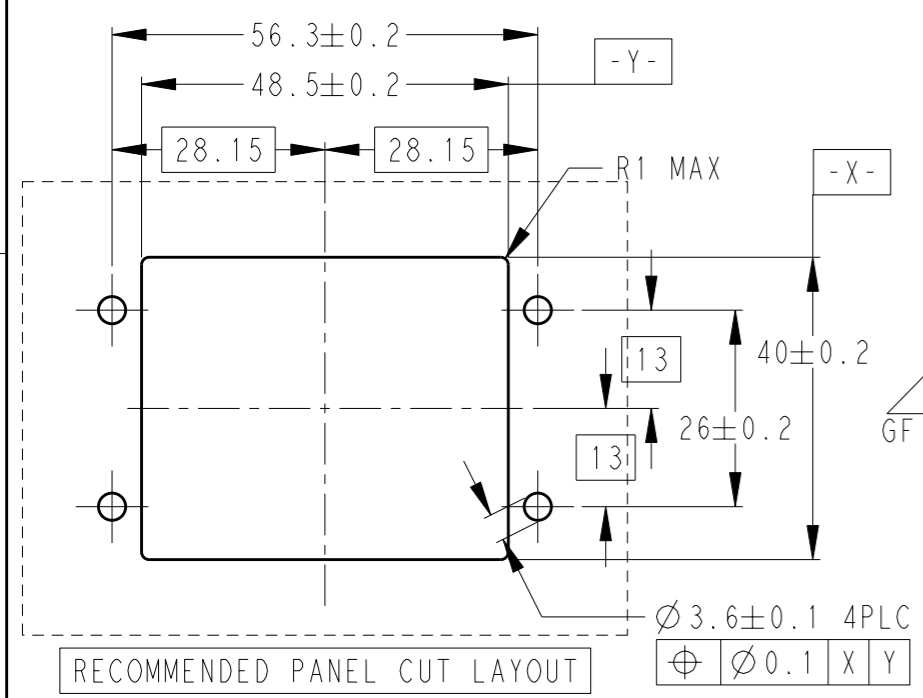
AS SHOWN : 2134059-1



1. THE SHAPE, SIZE AND POSITION OF THE CHARACTER SHOW THE OUTLINE. THEY DON'T SHOW DETAILS.
 2. CONTACT OUR SALES ABOUT ANOTHER KEYING PRODUCT.
- △ MATERIAL.



APPLICATED SOCKET CONTACTS
1871132-*



THIS DRAWING IS A CONTROLLED DOCUMENT FOR TYCO ELECTRONICS CORPORATION IT IS SUBJECT TO CHANGE AND THE CONTROLLING ENGINEERING ORGANIZATION SHOULD BE CONTACTED FOR THE LATEST REVISION.

DIMENSIONS:	TOLERANCES UNLESS OTHERWISE SPECIFIED:
mm	± 1.0, ± 5°
	0 PLC ±
	1 PLC ±
	2 PLC ±
	3 PLC ±
	4 PLC ±
	ANGLES ±
MATERIAL	FINISH
△	NONE

DWN	31JUL2010
M. MAEBASHI	
CHK	31JUL2010
N. YAMASAKI	
APVD	31JUL2010
N. YAMASAKI	
PRODUCT SPEC	108-78470
APPLICATION SPEC	114-5452
WEIGHT	-
CUSTOMER DRAWING	

Tyco Electronics Corporation Kawasaki, Japan	
NAME DYNAMIC D7300 16.0mm PITCH SOCKET HOUSING ASSEMBLY REVERSE PANEL MOUNT TYPE 4 POS	
SIZE	RESTRICTED TO
A3	-
CAGE CODE	DRAWING NO
00779	C-2134059
SCALE	SHEET
1:1	1 OF 1
REV	B

单击下面可查看定价，库存，交付和生命周期等信息

[>>TE Connectivity\(泰科\)](#)