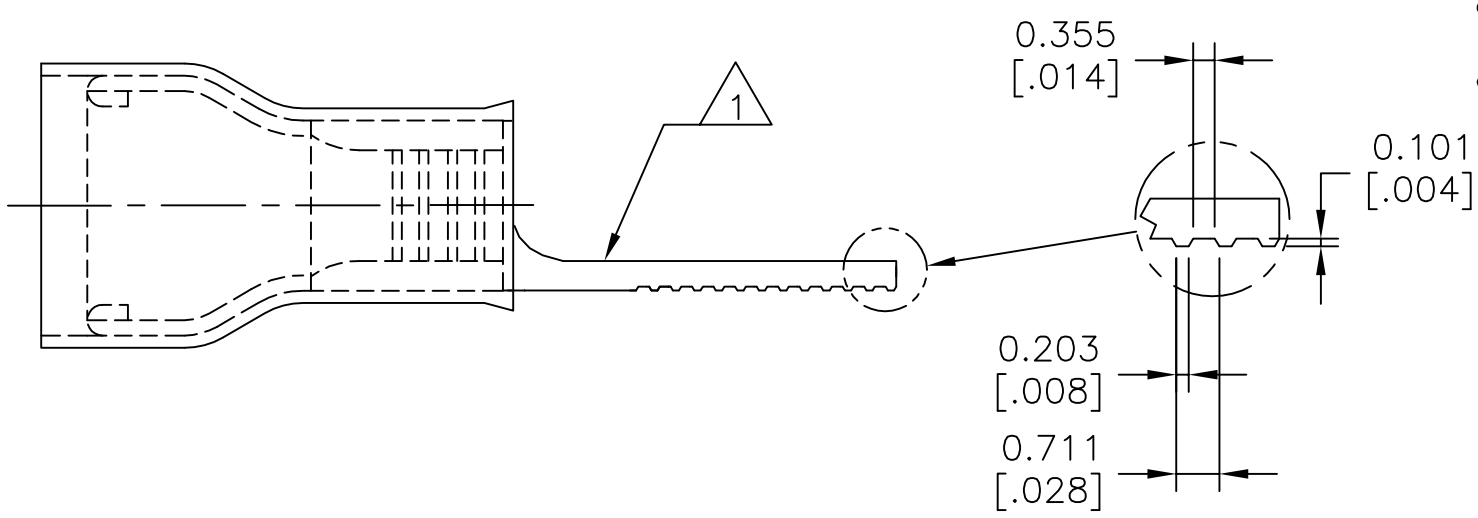
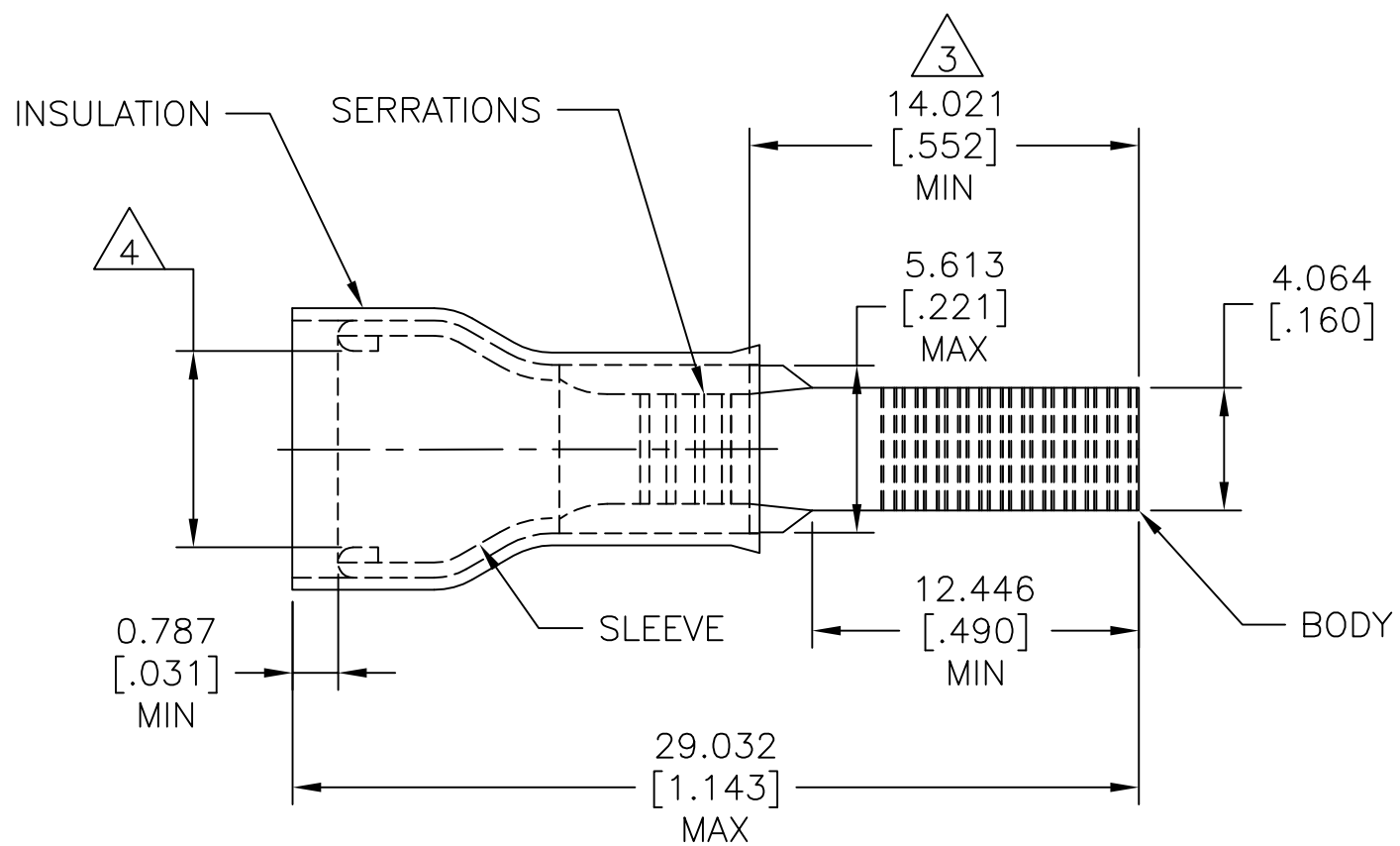


P	LTR	DESCRIPTION	DATE	DWN	APVD
	D1	REV PER ECR 07-015095	25JUN07	JR	TM
	D2	REVISED PER ECO-17-008809	20JUN2017	RS	DR



- 1 STAMP "AMP 12-10*", LOCATION APPROX AS SHOWN.
- 2 BODY MATERIAL THICKNESS IS 1.016±0.050 [.040±.002]
- 3 APPLIES FROM EDGE OF METAL WIRE BARREL.
- 4 WIRE INSULATION DIA RANGE ϕ 3.810-6.400 [ϕ .150-.252]
- 5 BODY - COPPER PER ASTM B-152
SLEEVE - COPPER PER ASTM B-152
INSULATION - NYLON
- 6 BODY - TIN PL PER ASTM B-545
SLEEVE - TIN PL PER ASTM B-545
INSULATION - COLOR - YELLOW
- 7 105°C MAX OPERATING TEMPERATURE.
- 8 300 VOLT MAX
- 9 2.62-6.64mm² [5,180 - 13,100 CMA]
SOLID OR STRANDED

500	LOOSE PIECE	131332
QTY	PACKAGE TYPE	PART NO

THIS DRAWING IS A CONTROLLED DOCUMENT.		DWN jr_ruth 13APR07	STE TE Connectivity	
DIMENSIONS: mm [INCHES]		CHK T MICHELUTTI 13APR07		
TOLERANCES UNLESS OTHERWISE SPECIFIED:		APVD T MICHELUTTI 13APR07	NAME TERMINAL , WIRE TAB, PIDG, WIRE SIZE 12-10 AWG	
0 PLC ± -		PRODUCT SPEC	SIZE	
1 PLC ± -		APPLICATION SPEC	CAGE CODE	
2 PLC ± -		114-2157	DRAWING NO	
3 PLC ± 0.127[.005]		WEIGHT	RESTRICTED TO	
4 PLC ± -		-	A3 00779 C=131332	
ANGLES ± 5°		CUSTOMER DRAWING	SCALE	SHEET
MATERIAL		FINISH	4:1	1 OF 1
5		6	REV D2	

单击下面可查看定价，库存，交付和生命周期等信息

[>>TE Connectivity\(泰科\)](#)