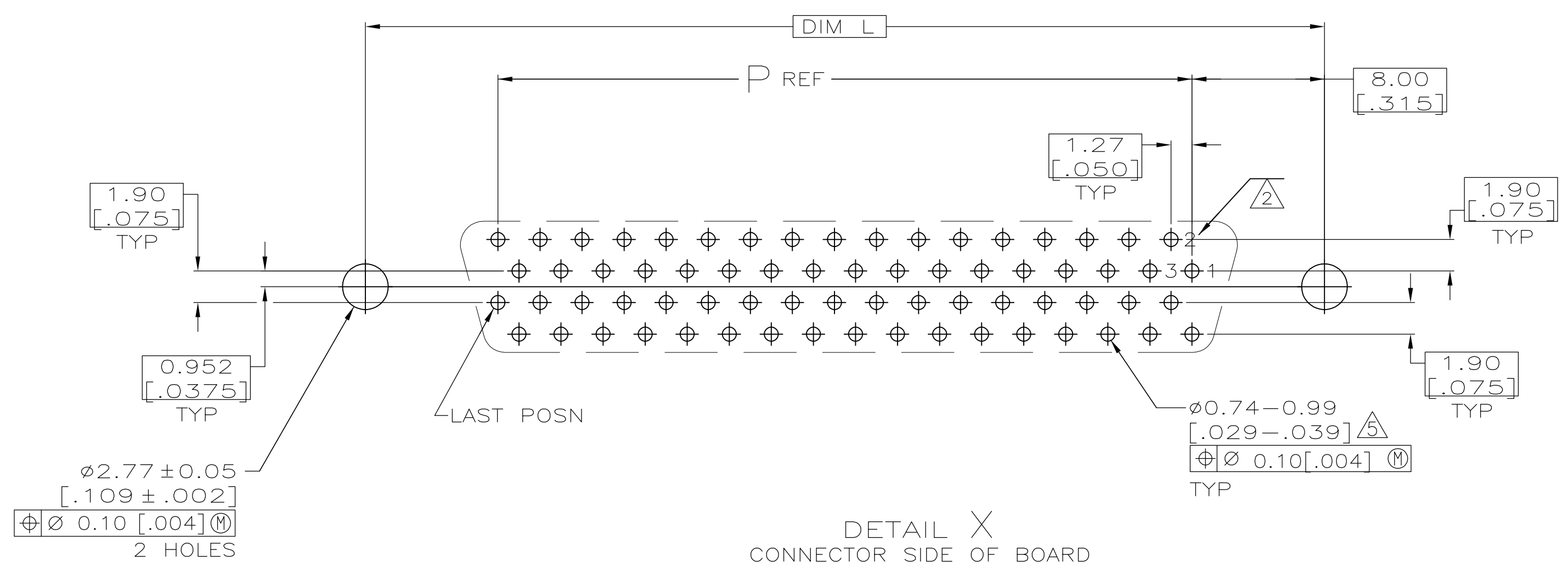
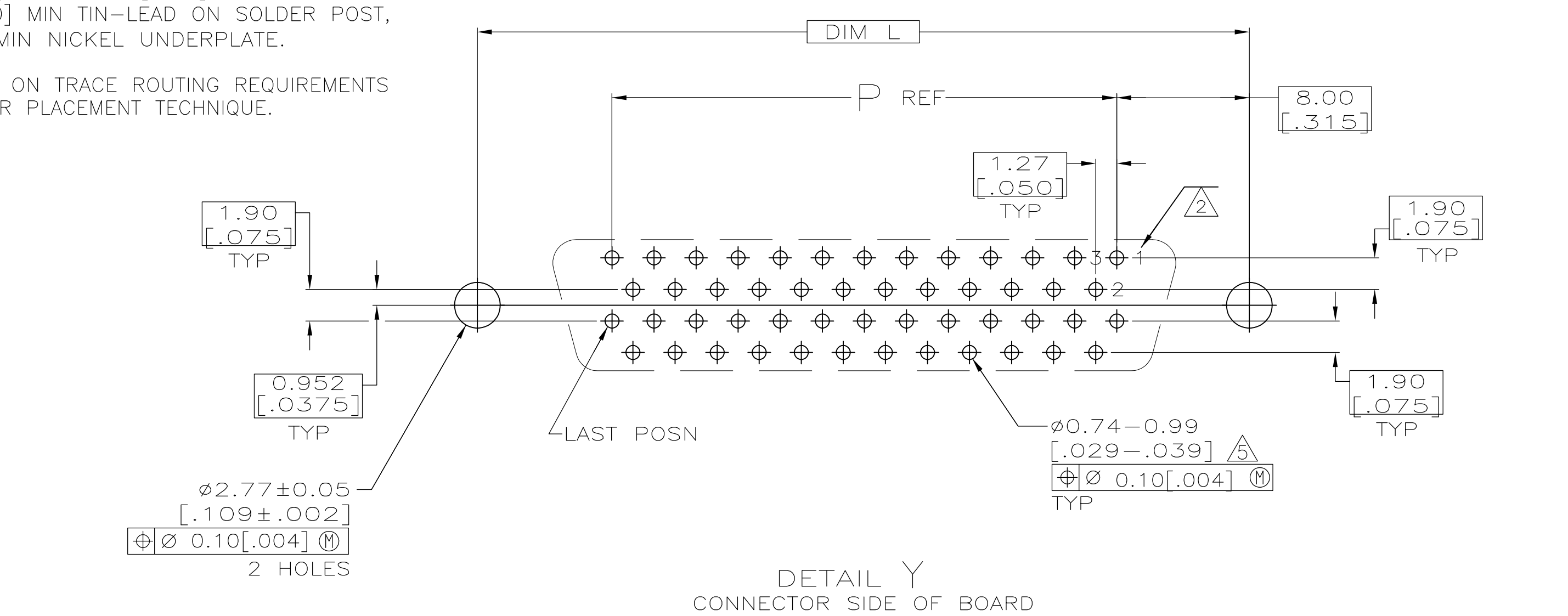
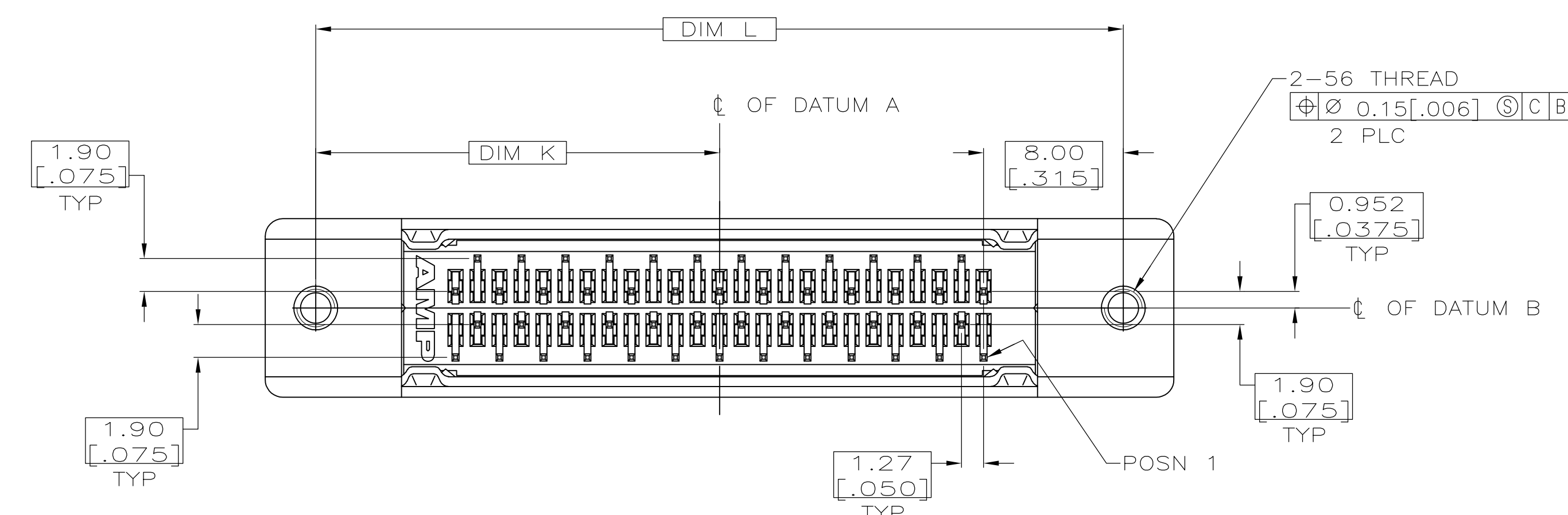
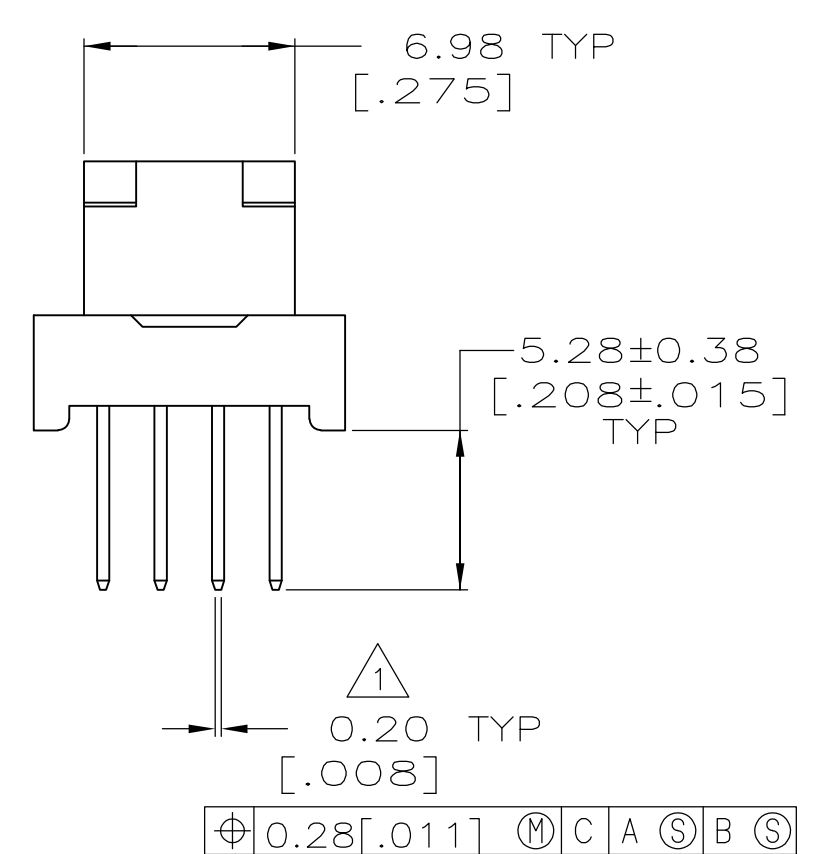
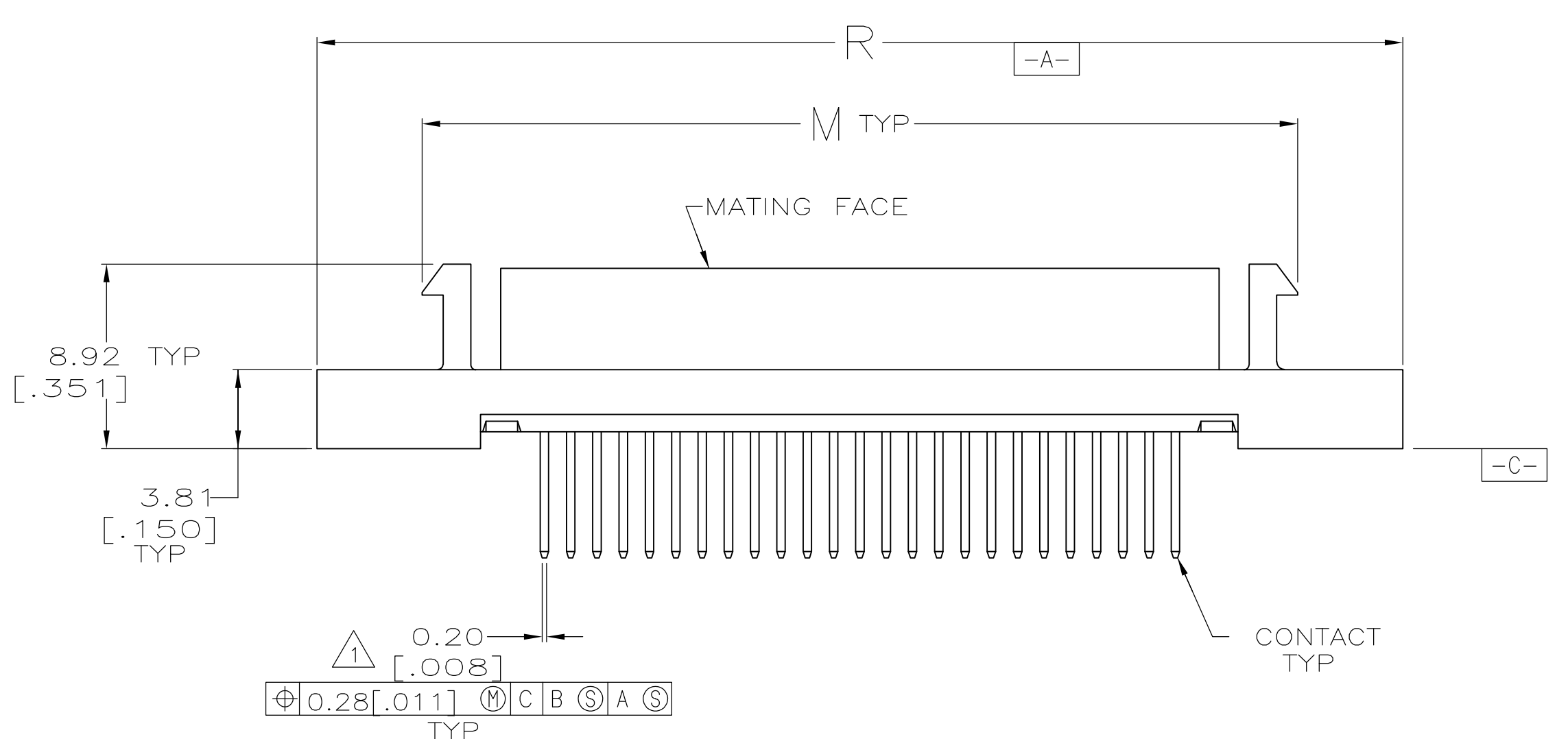
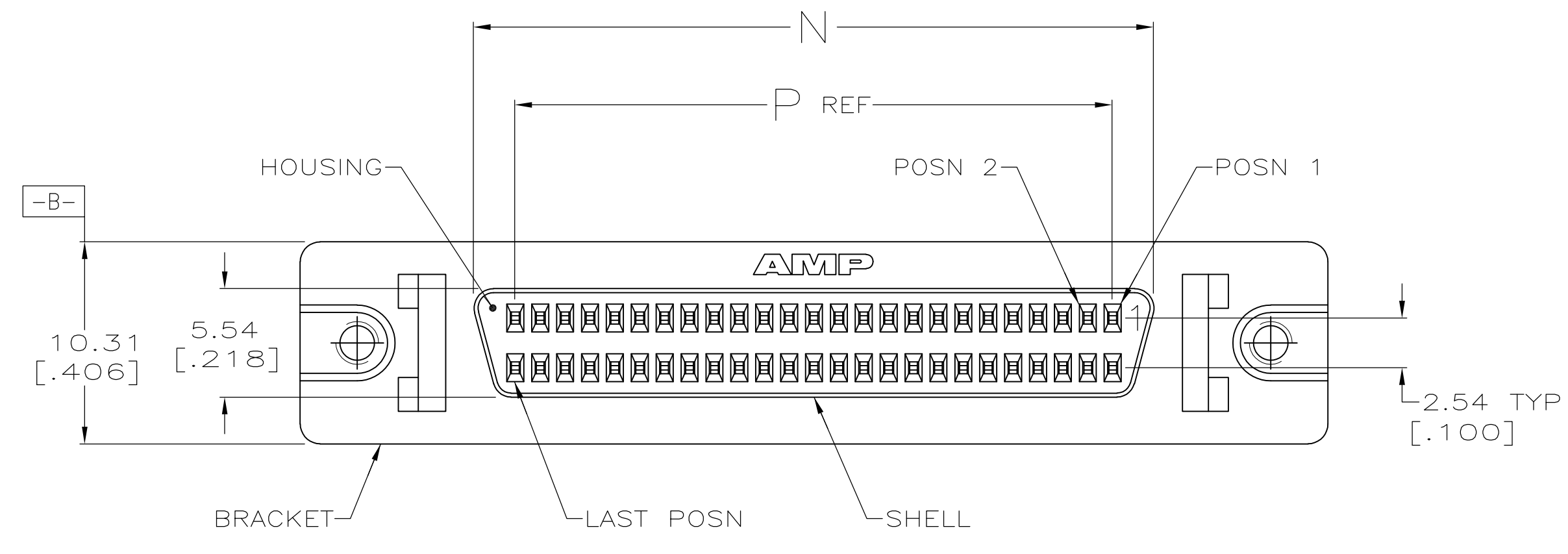


- △ POSITION TOLERANCE APPLIES AT CONTACT TIP.
- △ POSITION NUMBERS SHOWN FOR REFERENCE ONLY.
- △ MATERIAL
 HOUSING: POLYESTER, UL 94V-0 RATED, BLACK.
 SHELL: CARBON STEEL PER ASTM A109.
 CONTACTS: PHOSPHOR BRONZE PER QQ-B-750.
 BRACKET: ZINC
- △ FINISH
 SHELL: 5.08µm [.000200] MIN NICKEL OVER 1.27µm [.000050] MIN COPPER.
 BRACKET: 3.81µm [.000150] MIN NICKEL OVER 5.08µm [.000200] MIN COPPER.
 CONTACTS: EITHER 0.76µm [.000030] MIN GOLD FOR A LENGTH OF 0.64 [.025] MIN, 0.13 [.005] MAX FROM MATING END, OR GOLD FLASH OVER PALLADIUM NICKEL, 0.76µm [.000030] MIN TOTAL FOR A LENGTH OF 0.64 [.025] MIN, 0.13 [.005] MAX FROM MATING END. 3.81µm [.000150] MIN TIN-LEAD ON SOLDER POST, ALL OVER 1.27µm [.000050] MIN NICKEL UNDERPLATE.
- △ ACTUAL HOLE SIZE WILL DEPEND ON TRACE ROUTING REQUIREMENTS BETWEEN HOLES AND CONNECTOR PLACEMENT TECHNIQUE.
- △ OBSOLETE PART NUMBER.



| | | | | | | | | |
|--------------------------------|---------------|---------------|---------------|---------------|---------------|---------------|------------|------------|
| PER DETAIL X | 63.88 [2.515] | 41.91 [1.650] | 46.13 [1.816] | 53.72 [2.115] | 57.91 [2.280] | 28.96 [1.140] | 68 | △ 786136-7 |
| PER DETAIL X | 58.80 [2.315] | 36.83 [1.450] | 41.05 [1.616] | 48.64 [1.915] | 52.83 [2.080] | 26.42 [1.040] | 60 | △ 786136-6 |
| PER DETAIL Y | 52.45 [2.065] | 30.48 [1.200] | 34.70 [1.366] | 42.29 [1.665] | 46.48 [1.830] | 23.24 [.915] | 50 | 786136-5 |
| RECOMMENDED PCB MTG DIMENSIONS | R | P | N | M | L | K | NO OF POSN | PART NO |

THIS DRAWING IS A CONTROLLED DOCUMENT.

| | | | | | |
|-------------------------|--|-----------------------------|------------------------|------------------------|---|
| DIMENSIONS: mm [INCHES] | TOLERANCES UNLESS OTHERWISE SPECIFIED: | DWN: S. WELDON 01/20/92 | CHK: R. STONE 01/23/92 | APVD: W. SWAIN 1/23/92 | NAME: RECEPTACLE ASSEMBLY, SHIELDED, VERTICAL, .050 SERIES AMP/LITE |
| 0 PLC ± - | 1 PLC ± - | 2 PLC ± 0.13 [.005] | 3 PLC ± - | 4 PLC ± - | SIZE: 108-1228 |
| ANGLES ± - | FINISH ± - | APPLICATION SPEC: 114-40029 | WEIGHT: - | CAGE CODE: 786136 | RESTRICTED TO: - |
| CUSTOMER DRAWING | | | SCALE: 4:1 | SHEET: 1 of 1 | REV: J |

Tyco Electronics Corporation
 Harrisburg, PA 17105-3608

单击下面可查看定价，库存，交付和生命周期等信息

[>>TE Connectivity\(泰科\)](#)