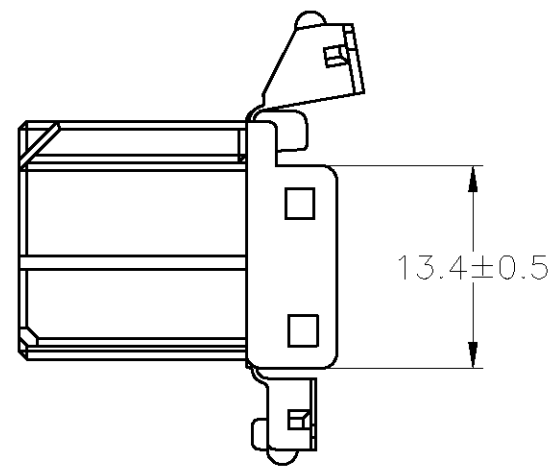
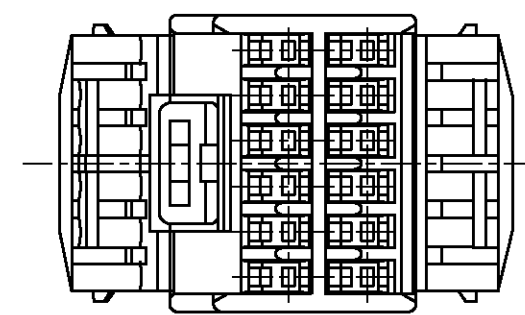
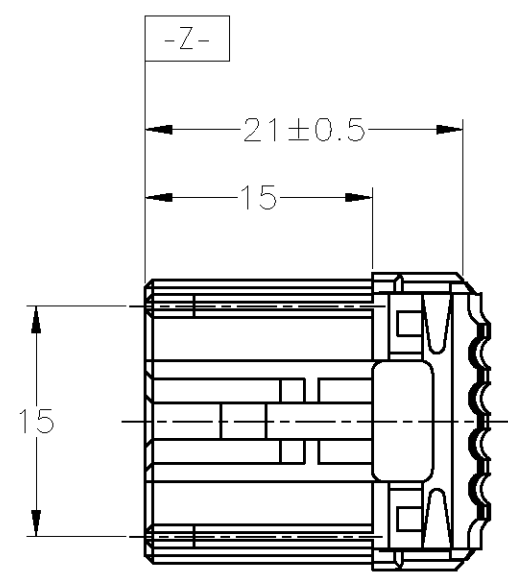
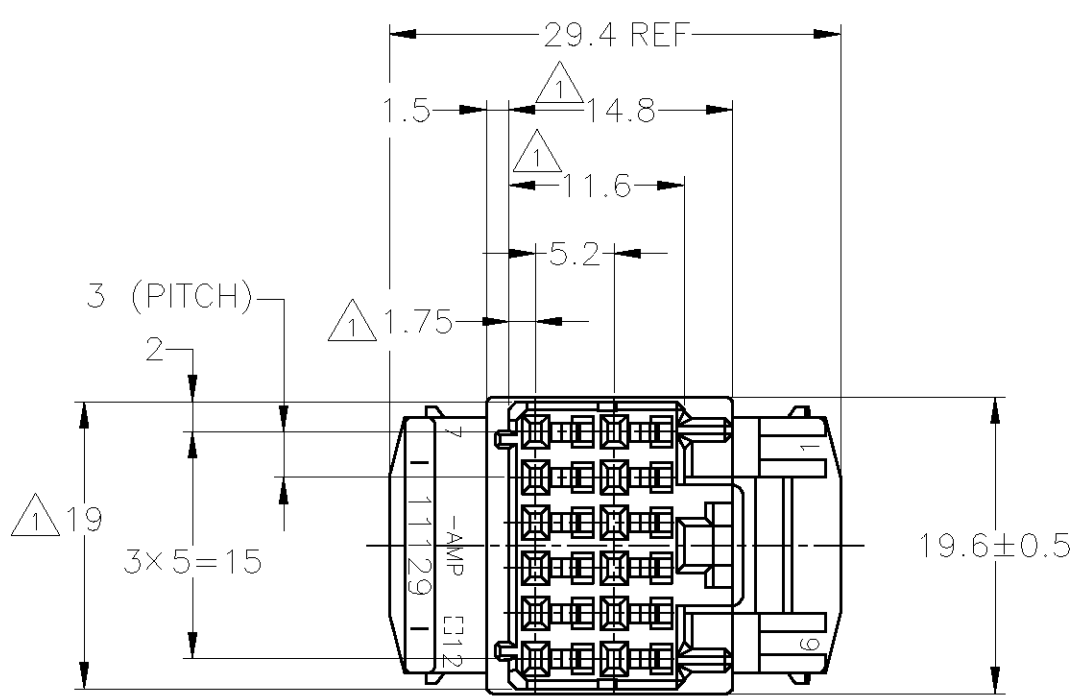


THIS DRAWING IS UNPUBLISHED. RELEASED FOR PUBLICATION
 © COPYRIGHT BY TYCO ELECTRONICS CORPORATION. ALL INTERNATIONAL RIGHTS RESERVED.

LOC	DIST	REVISIONS					
J	—	P	LTR	DESCRIPTION	DATE	DWN	APVD
		E3	REVISED	ECR-10-017285	06SEP10	TS	KB



- ① MUST BE KEPT BETWEEN [-Z-] AND 2mm
 - 2. THE MATING CAP HOUSING PART NUMBER; 174915
 - 3. APPLIED CONTACT PART NUMBER; 173716, 175094
 - 4. APPLICABLE PRODUCT SPEC NO. 108-5280
- ① [-Z-] 面より 2mm の範囲で測定。
 - 2. 嵌合相手ハウジング型番; 174915
 - 3. 内装するリセプタクルコンタクト型番; 173716, 175094
 - 4. 適用製品規格番号; 108-5280

淡灰色	LIGHT GRAY	6-174913-6
黄色	YELLOW	174913-7
灰色	GRAY	174913-6
黒色	BLACK	174913-2
白色	WHITE	174913-1
色	COLOR	PART NUMBER

TOLERANCE UNLESS OTHERWISE SPECIFIED: 一般公差	
0 < x ≤ 10	: ±0.2
10 < x ≤ 30	: ±0.25
30 < x ≤ 100	: ±0.3
ANGLE ; 角度	: ±3°

THIS DRAWING IS A CONTROLLED DOCUMENT.		DWN T.SHINOHARA 25JUN03	Tyco Electronics Corporation Kawasaki, Japan	
DIMENSIONS: 単位: 耗 mm		CHK K.BETSUI 25JUN03		
TOLERANCES UNLESS OTHERWISE SPECIFIED: 一般公差		APVD K.BETSUI 25JUN03	NAME 名称	
		PRODUCT SPEC 製品規格	12POSITION PLUG HOUSING HYBRID I/O CONNECTOR	
MATERIAL 材料 PBT		APPLICATION SPEC 取付適用規格	SIZE	CAGE CODE
FINISH 仕上 SEE TABLE		WEIGHT 4.04g	A3	00779
		CUSTOMER DRAWING	DRAWING NO 番号 C-174913	RESTRICTED TO
			SCALE 尺度 2:1	SHEET 1 OF 1
				REV E3

单击下面可查看定价，库存，交付和生命周期等信息

[>>TE Connectivity\(泰科\)](#)