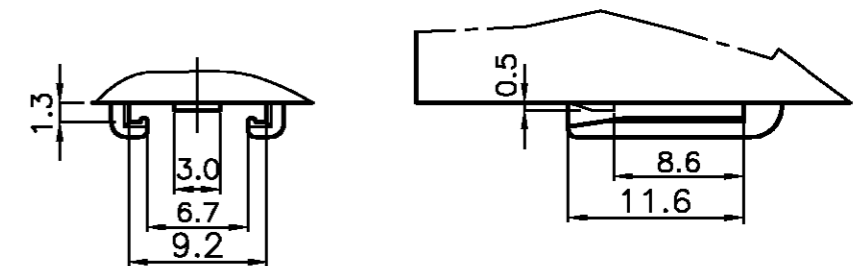
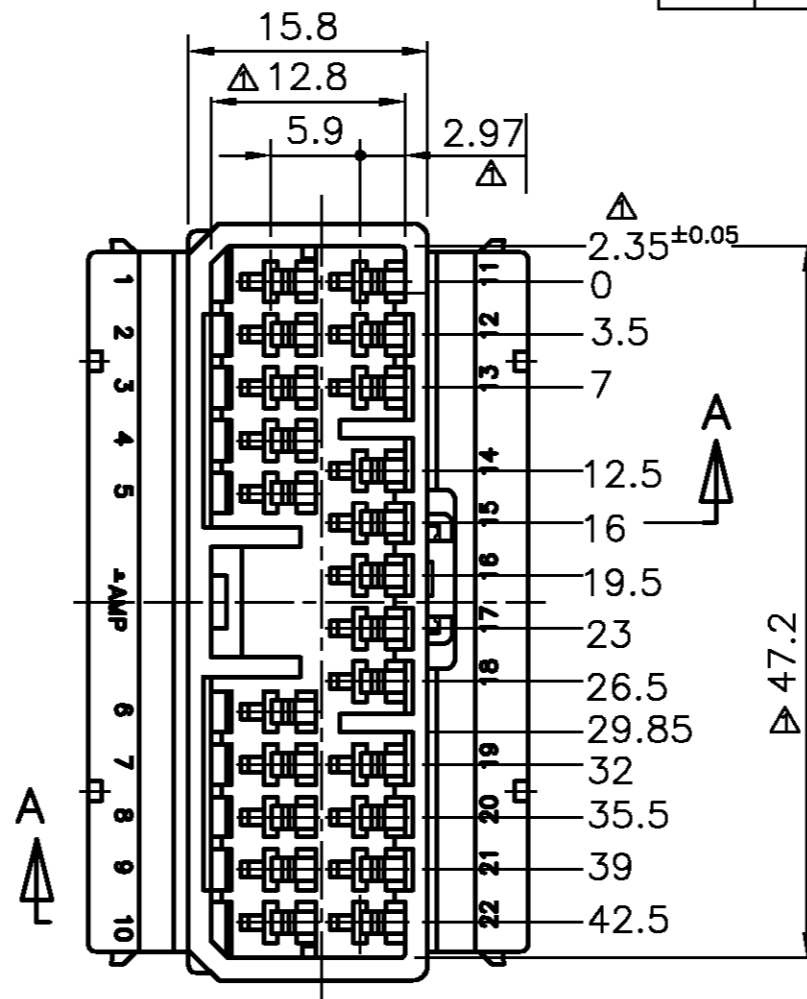
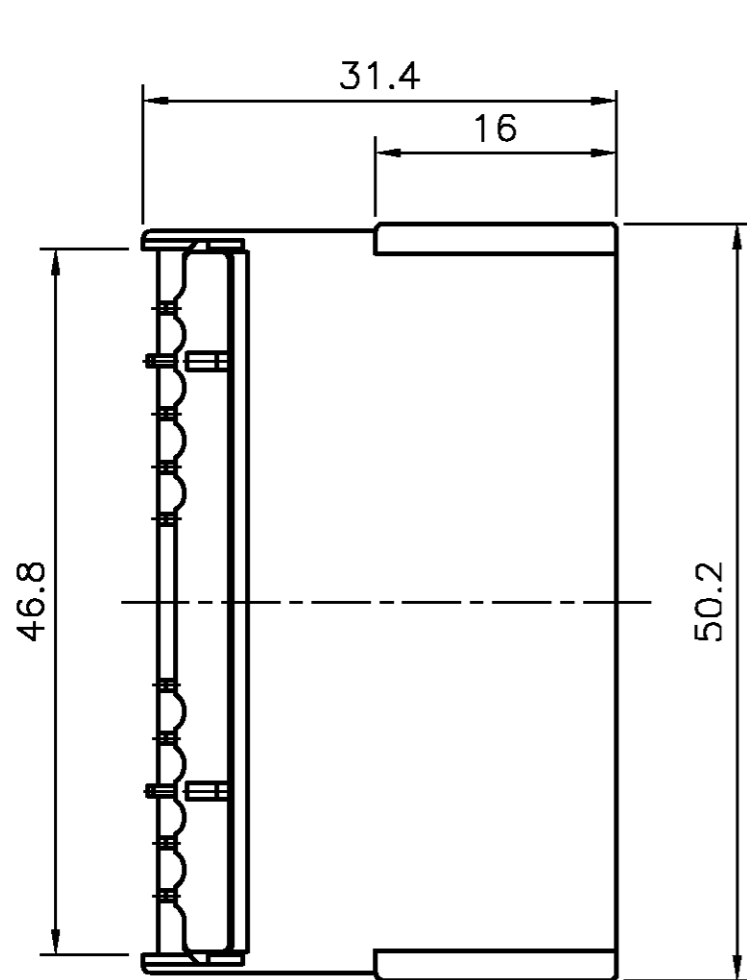
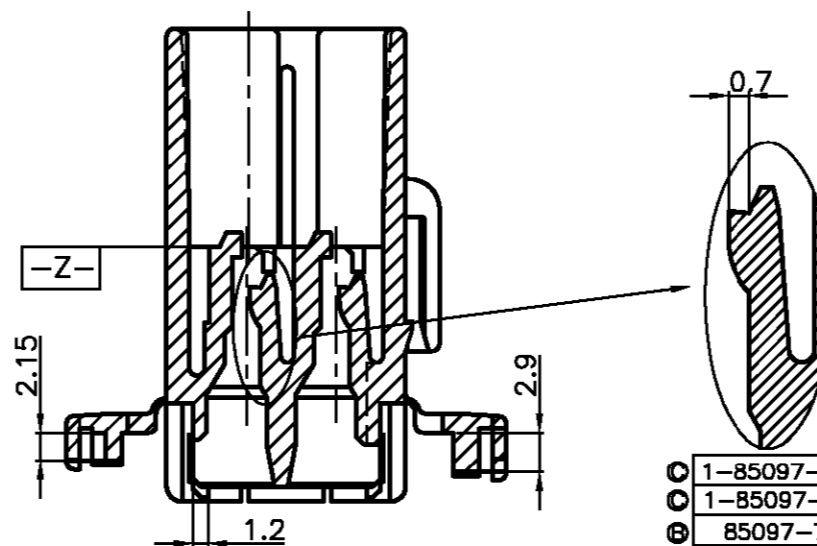
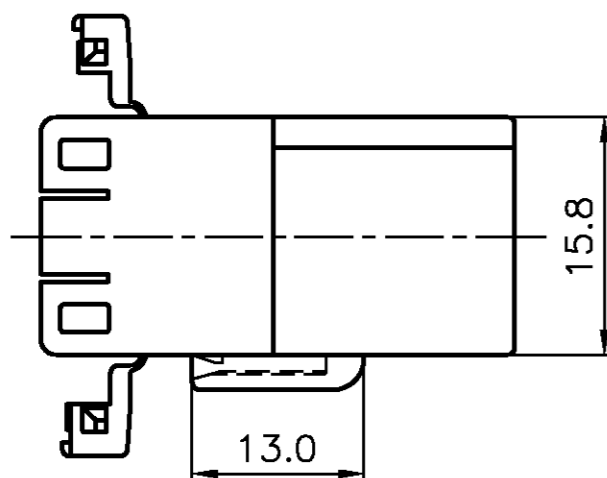


LOC	DIST	REVISIONS					
DS		P	LTR	DESCRIPTION	DATE	DWN	APVD
			O	RELEASED(RD96-366)	23/NOV/'96	YJ	JK
			A	REVISED(FC00-0070-01)	23/JUN/'01	MS	CS
			B	REVISED(FC00-0028-03)	21/MAR/'03	MS	CS
			C	REVISED(ECR-05-006109)	22/AUG/'05	IS	JK



CLIP HOLE DETAIL



SECT A-A

NOTE

- △ TO BE MEASURED BETWEEN $-Z-$ AND 2.
- TO BE MATED WITH PLUG HSG SMOOTHLY.
- APPLIED CONTACT P/N : 173633 & 173645.
- APPLIED PLUG HSG HSG P/N : 85096
- CURRENT RATING: 10A MAX

P/N	MATERIAL	COLOR	PACKING
1-85097-7	P.B.T	YELLOW	FOR EXPORT-TRAY(50EA)/OUT BOX(400EA)
1-85097-1	P.B.T	WHITE	FOR EXPORT-TRAY(50EA)/OUT BOX(400EA)
85097-7	P.B.T	YELLOW	FOR LOCAL-POLY BAG(50EA)/INNER BOX(50EA)/OUT BOX(200EA)
85097-1	P.B.T	WHITE	FOR LOCAL-POLY BAG(50EA)/INNER BOX(50EA)/OUT BOX(200EA)

THIS DRAWING IS A CONTROLLED DOCUMENT FOR TYCO ELECTRONICS CORPORATION. IT IS SUBJECT TO CHANGE AND THE CONTROLLING ENGINEERING ORGANIZATION SHOULD BE CONTACTED FOR THE LATEST REVISION.

DIMENSIONS: mm		TOLERANCES UNLESS OTHERWISE SPECIFIED: 0 <XX<10 ± 0.2 10 <XX<30 ± 0.25 30 <XX ± 0.3 ANGLES ± 3°		DWN IS SHIN CHK BM JANG APVD: JK SONG PRODUCT SPEC APPLICATION SPEC		AMP KOREA. kyungsan, korea	
3rd ANGLE PROJECTION		MATERIAL SEE TABLE		FINISH		NAME .070 MLC 22P CAP HSG.	
MATERIAL		FINISH		WEIGHT		SIZE CAGE CODE DRAWING NO RESTRICTED TO A3 00779C= 8 5 0 9 7	
						SCALE 2/1 SHEET 1 OF 1 REV C	

单击下面可查看定价，库存，交付和生命周期等信息

[>>TE Connectivity\(泰科\)](#)