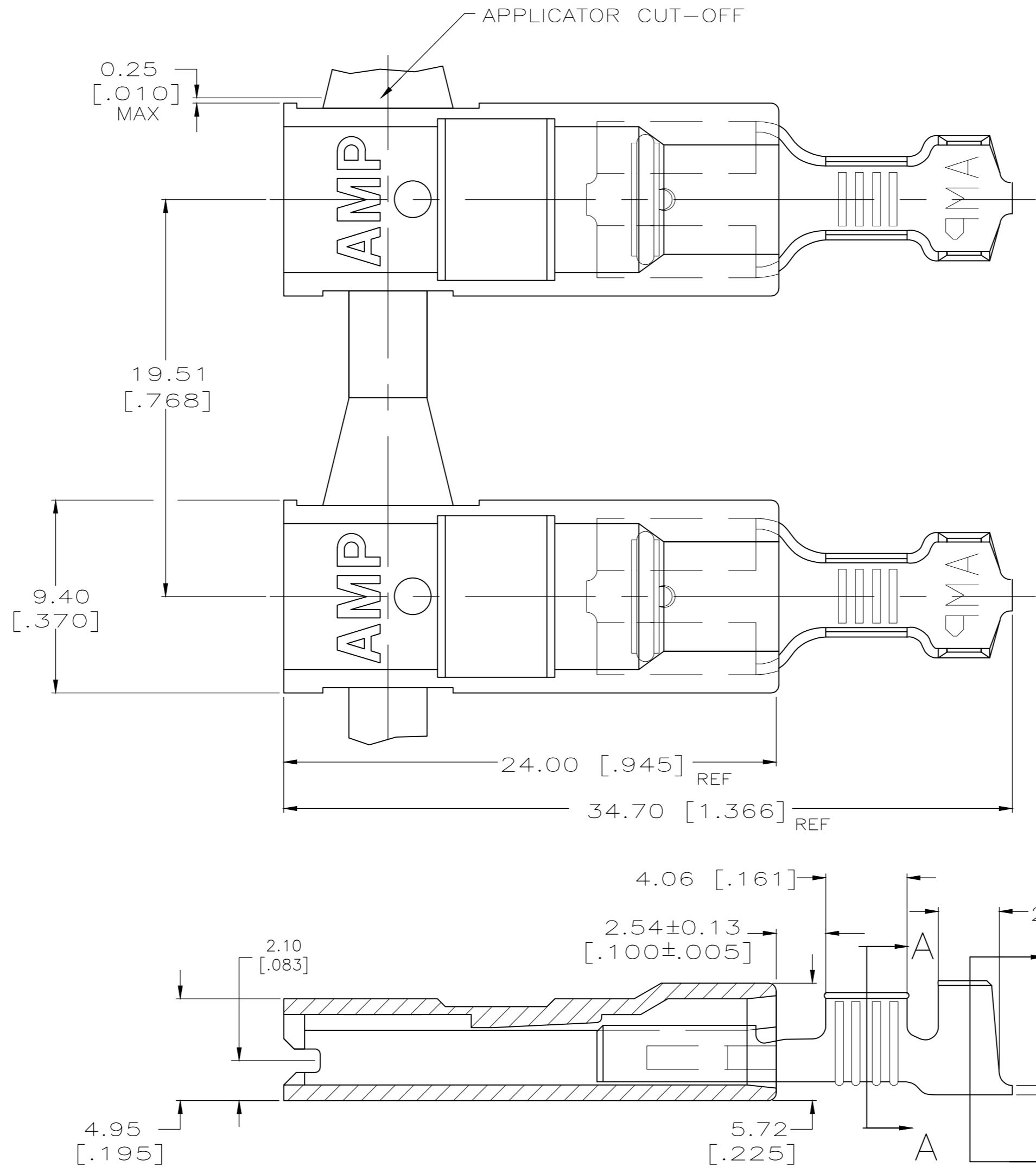


THIS DRAWING IS UNPUBLISHED. RELEASED FOR PUBLICATION  
 © COPYRIGHT - TE Connectivity Ltd. ALL RIGHTS RESERVED.

REVISIONS				
P	LTR	DESCRIPTION	DATE	APVD
C1		REVISED PER ECO-18-01226	16JUL2018	RS DS



- BUDGET FASTON TERMINALS, BASE P/N 63884, ARE USED IN THIS PRODUCT.
  - WIRE SIZE 0.8-2.0mm [18-14] AWG
  - INSULATION RANGE IS 2.79-4.32 [.110-.170] DIA.
  - MATING TAB THK IS 0.813 ± 0.025 [.032 ± .001].
  - OFFERED FOR CONSIDERATION IN APPLICATIONS REQUIRING "NON-DRIP" HOUSING MATERIAL.
- △ OBSOLETE PARTS

-	MATERIAL: 4M BRASS FINISH: PLAIN	66 NYLON V0 NATURAL	521848-3
△ STANDARD	MATERIAL: 4M BRASS FINISH: 0.002032 [.000080] MIN TIN	VO, NYLON 66, NATURAL (WHITE)	-521848-2
<del>STANDARD</del>	<del>MATERIAL: 4M BRASS FINISH: PLAIN</del>		<del>521848-1</del>
PACKAGING	TERMINAL	HOUSING	PART NO.
THIS DRAWING IS A CONTROLLED DOCUMENT.		DWN JR RUTH 15SEP05	
DIMENSIONS: mm [INCHES]		CHK G PORTA 15SEP05	
TOLERANCES UNLESS OTHERWISE SPECIFIED:		APVD G PORTA 15SEP05	
0 PLC ± -		NAME	
1 PLC ± -		PRODUCT SPEC	
2 PLC ± -		108-1285	
3 PLC ± 0.25 [.010]		APPLICATION SPEC	
4 PLC ± -		114-2124	
ANGLES ± -		SIZE A2	
MATERIAL SEE TABLE	FINISH SEE TABLE	CAGE CODE 00779	DRAWING NO C=521848
WEIGHT 0		SCALE 5:1	SHEET 1 of 1
CUSTOMER DRAWING		RESTRICTED TO	REV C1

单击下面可查看定价，库存，交付和生命周期等信息

[>>TE Connectivity\(泰科\)](#)