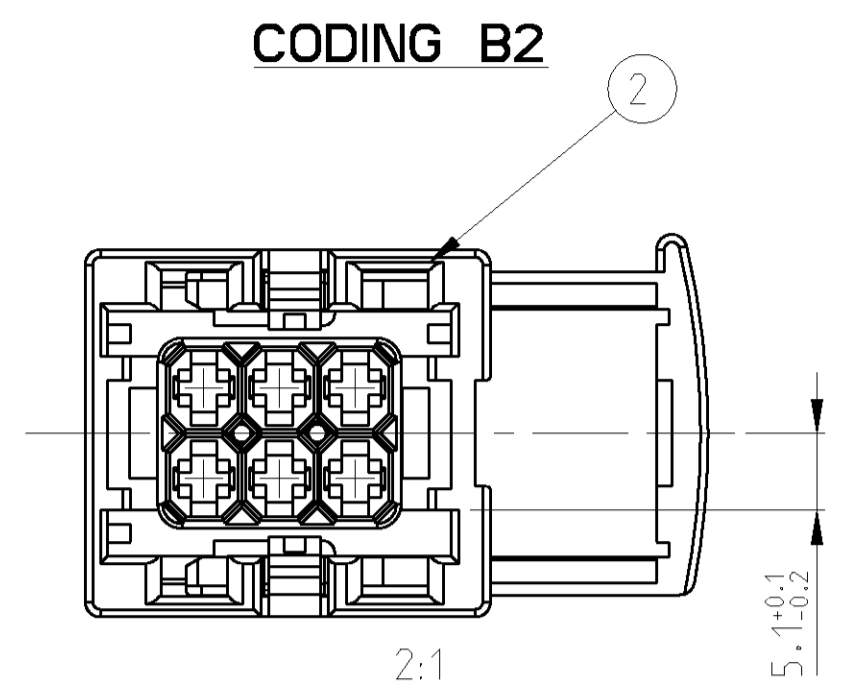
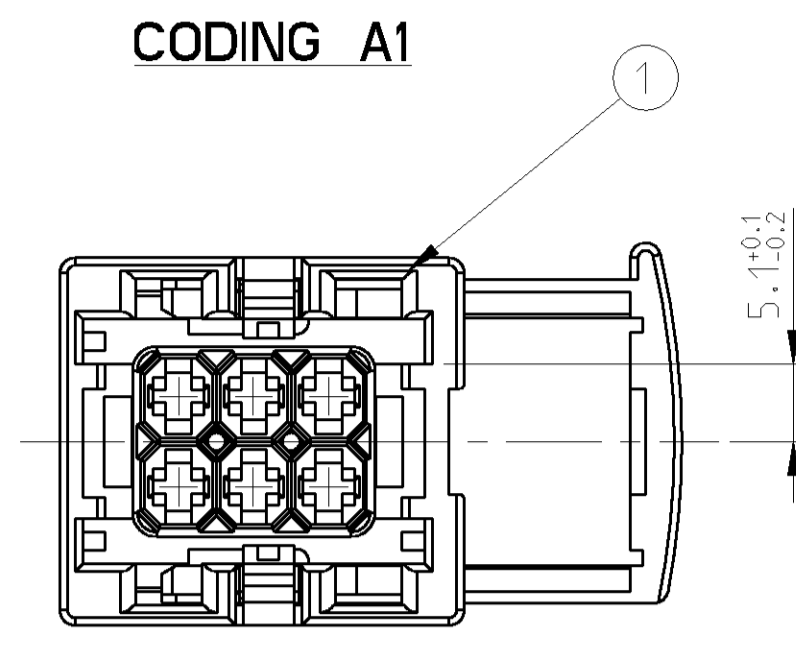
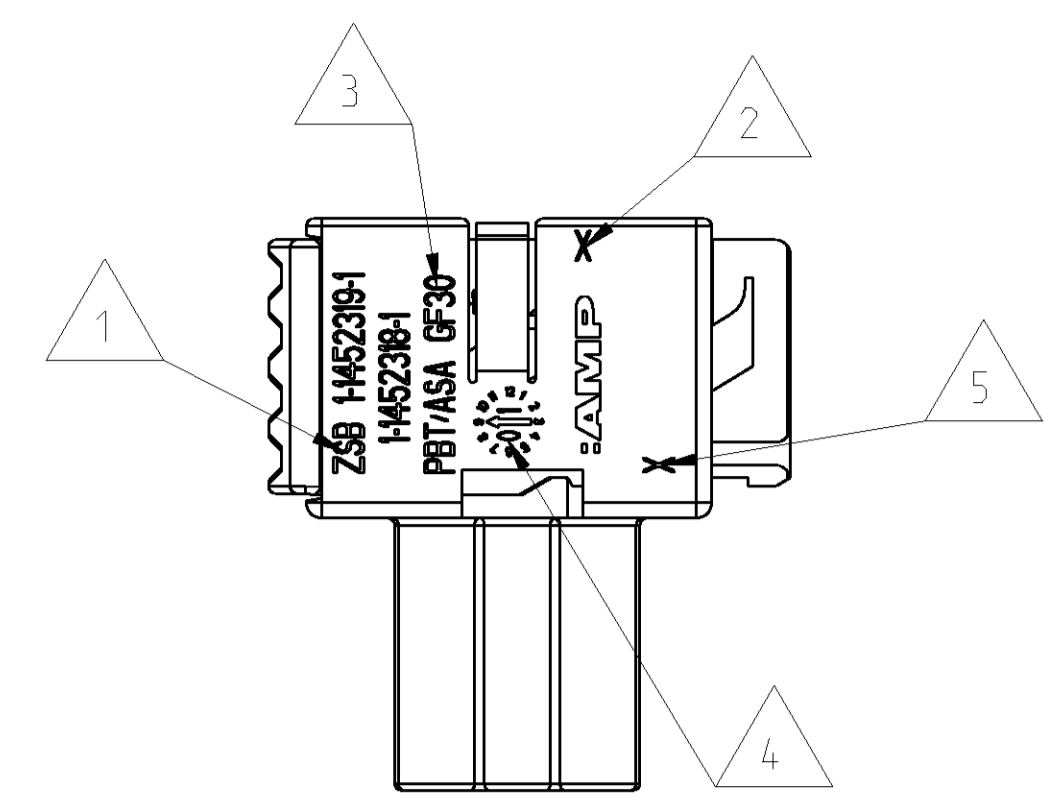
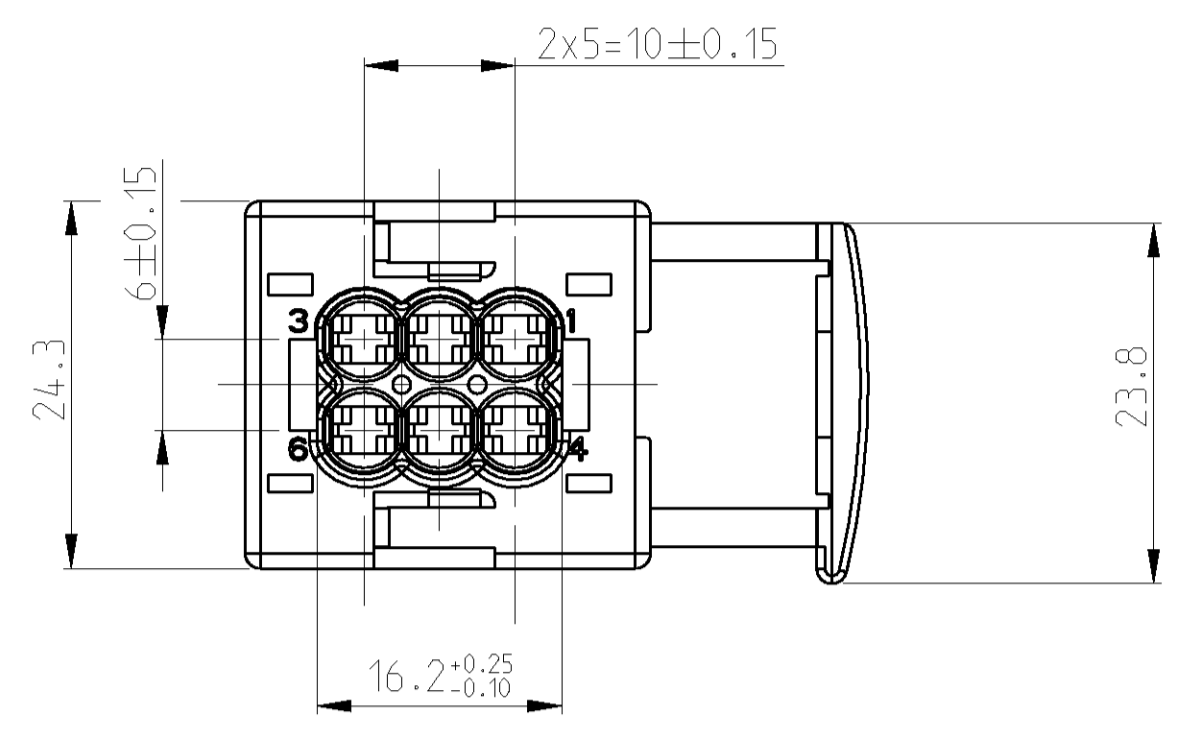
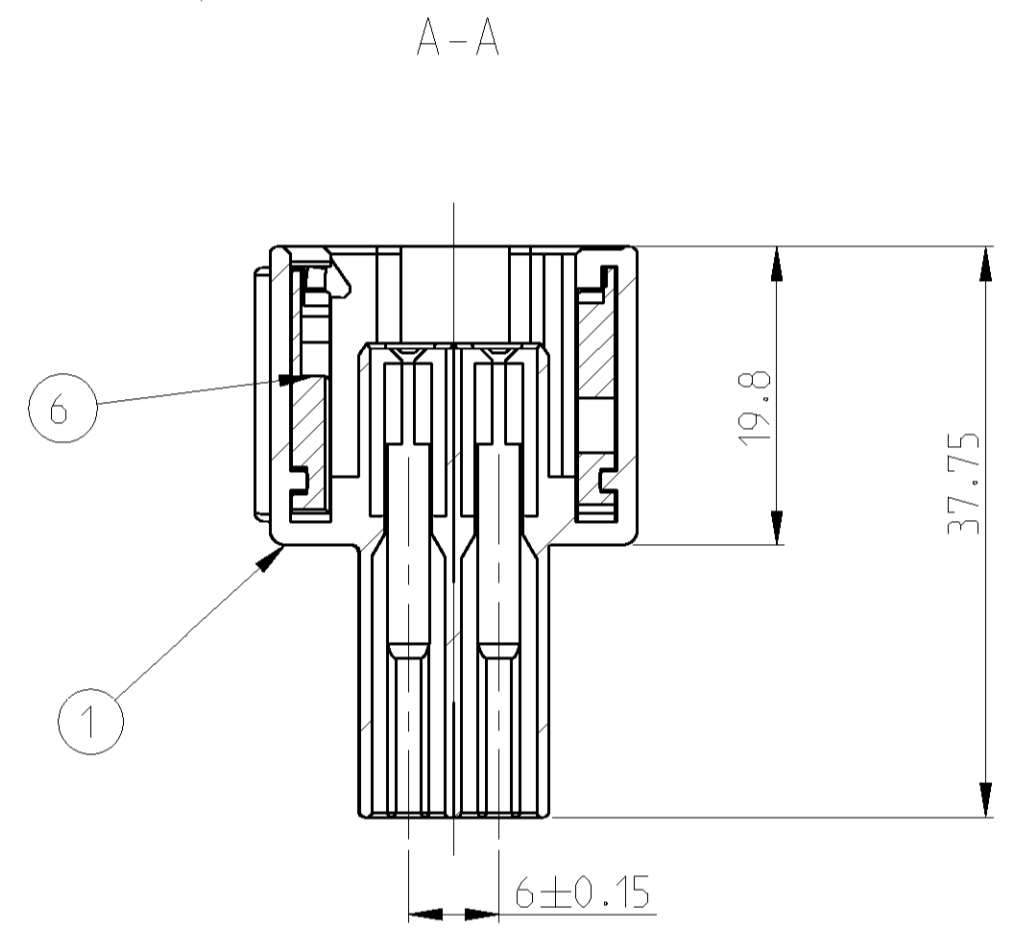
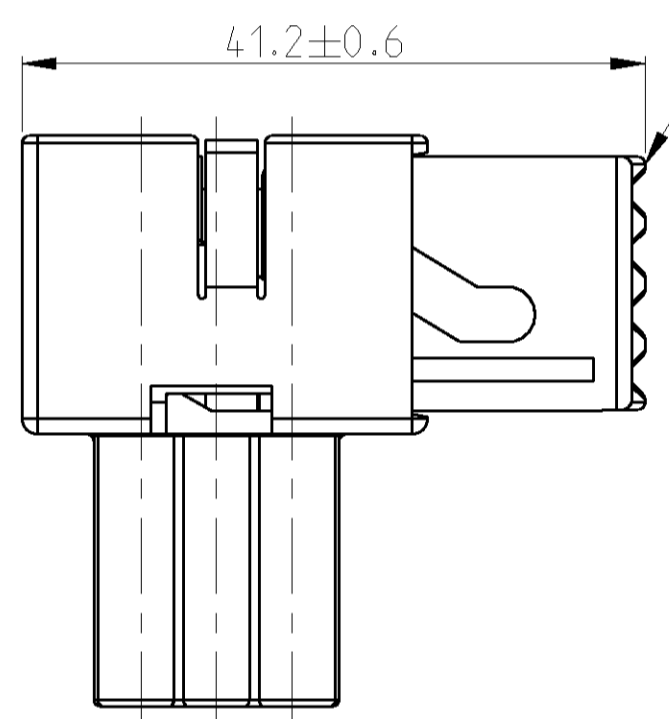


LOC	DIST	F	LTR	REVISIONS ÄNDERUNGEN DESCRIPTION BEZEICHNUNG	DATE	DWN	APVD
A1	-	-	-				
PROJECT NO.:		A		SEE PCN EG00-3378-01	14NOV2001	PK	VB
		B		SEE PCN EG00-3590-01-02	05DEC2001	PK	VB
		-		-	-	-	-
		-		-	-	-	-

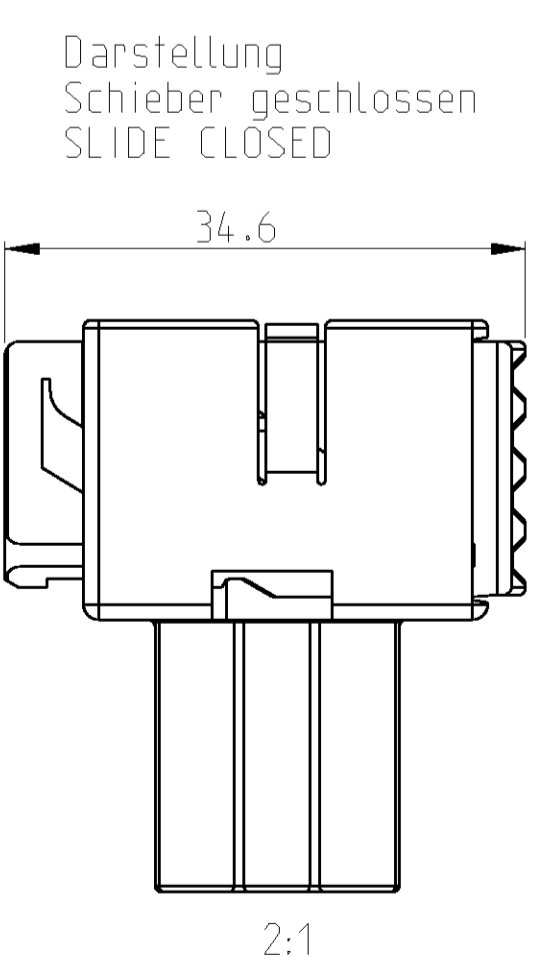
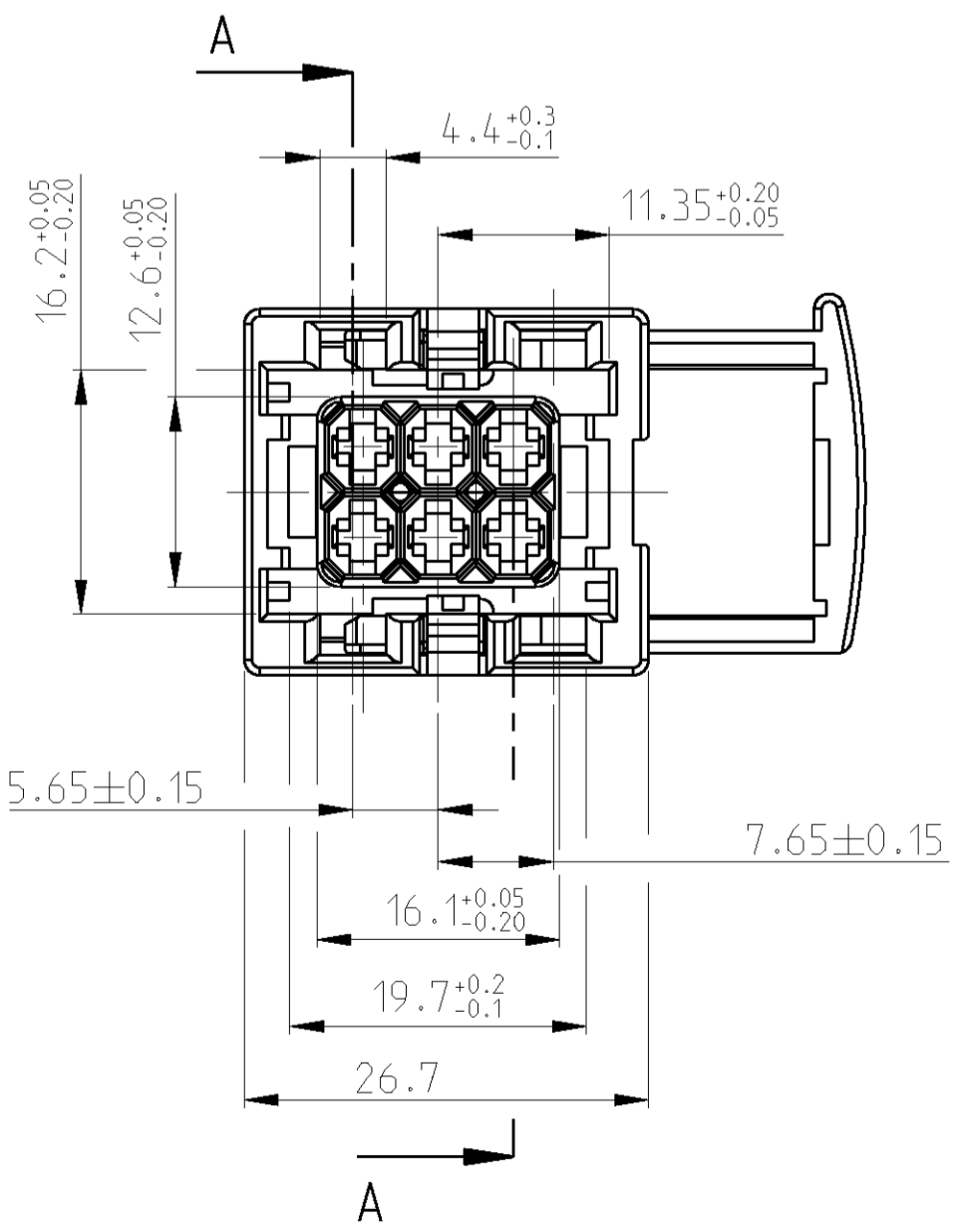
1-1452319-1 wie gezeichnet
as shown



Schieber in Vorraststellung montiert
SLIDE IN PRE LOCKING POSITION ASSEMBLED
(Anlieferungszustand)
(DELIVERY POSITION)



COUNTER PART(COUPLING) TAB HSG..6POS. P/N 962349	Gegenstueck (Kupplung) Tab-Gehaeuse. 6pol. P/N 962349
COUNTER PART (TABHEADER) P/N 963211	Gegenstueck (Messerleiste) P/N 963211
SECONDARY LOCKING DEVICE FOR JPT HSG..6POS. P/N 964713-1	2.Kontaktsicherung fuer JPT-Geh.. 6pol. P/N 964713-1
SEALING P/N 963205-1	Dichtung P/N 963205-1



- NOTES
BEMERKUNGEN
- 1 ORDER NUMBER
BESTELL-NUMMER
 - 2 REVISION NUMBER
WERKZEUGÄNDERUNGSINDEX
 - 3 MATERIAL MARKING
WERKSTOFFKENNZEICHNUNG
 - 4 PRODUCTION DATE
PRODUKTIONSdatum
 - 5 CAVITY MARKING
NESTMARKIERUNG

	JUNIOR POWER TIMER	929 939-1	929 940-1	0.5-1.0	CuFe2	PRE TIN PLATED	FLR INSULATION	828 904-1
	JUNIOR POWER TIMER	929 937-1	929 938-1	1.5-2.5	CuFe2	PRE TIN PLATED	FLR INSULATION	828 905-1
	CONTACTS	AMP ORDER NO. STRIP FORM	AMP ORDER NO. LOOSE PIECE	WIRE RANGE MM	MATERIAL FINISH			SEAL

AMP PART NO.	REV.	PCS.	MATERIAL	SURFACE COLOUR	DESCRIPTION	ITEM NO.
2-1452319-1	B	1	PBT-ASA GF30	rot	Schieber	6
2-1452319-1	B	1	PBT-ASA GF30	grau	JPT-Gehaeuse 6pol.	2
1-1452319-1	B	1	PBT-ASA GF30	rot	Schieber	6
1-1452319-1	B	1	PBT-ASA GF30	schwarz	JPT-Gehaeuse 6pol.	1

THIS DRAWING IS THE PROPERTY OF AMP INCORPORATED. IT IS TO BE USED ONLY FOR THE PURPOSES AND IN THE QUANTITIES SPECIFIED THEREIN. ANY REPRODUCTION OR TRANSMISSION OF THIS DRAWING WITHOUT THE WRITTEN PERMISSION OF AMP INCORPORATED IS STRICTLY PROHIBITED. AMP INCORPORATED, ALL RIGHTS RESERVED. DATE: 14 NOV 2001		DWN P. Knoebel 14NOV2001	14NOV2001	AMP	tyco Electronics AMP GmbH D - 64625 Bensheim
DIMENSIONS: MASSENHETEN (mm)		TOLERANCES UNLESS OTHERWISE SPECIFIED: ALLGEMEINTOLERANZEN		NAME JPT HOUSING 6POS.: SEALED JPT Gehaeuse 6pol.: gedichtet	
0 PLC ±0.3 1 PLC ±0.3 2 PLC ±0.3 3 PLC ±0.3 4 PLC ±0.3		OTHERWISE SPECIFIED: 0.15mm		PRODUCT SPEC PRODUKTSPEZ.	
MATERIAL		FINISH/SCHREIBFÄRBE		APPLICATION SPEC VERARBEITUNGSPEZ.	
WEIGHT GEWICHT		CUSTOMER DRAWING		RESTRICTED TO MR PER	
SCALE 2:1		SHEET 1 OF 1		REV B	

单击下面可查看定价，库存，交付和生命周期等信息

[>>TE Connectivity\(泰科\)](#)