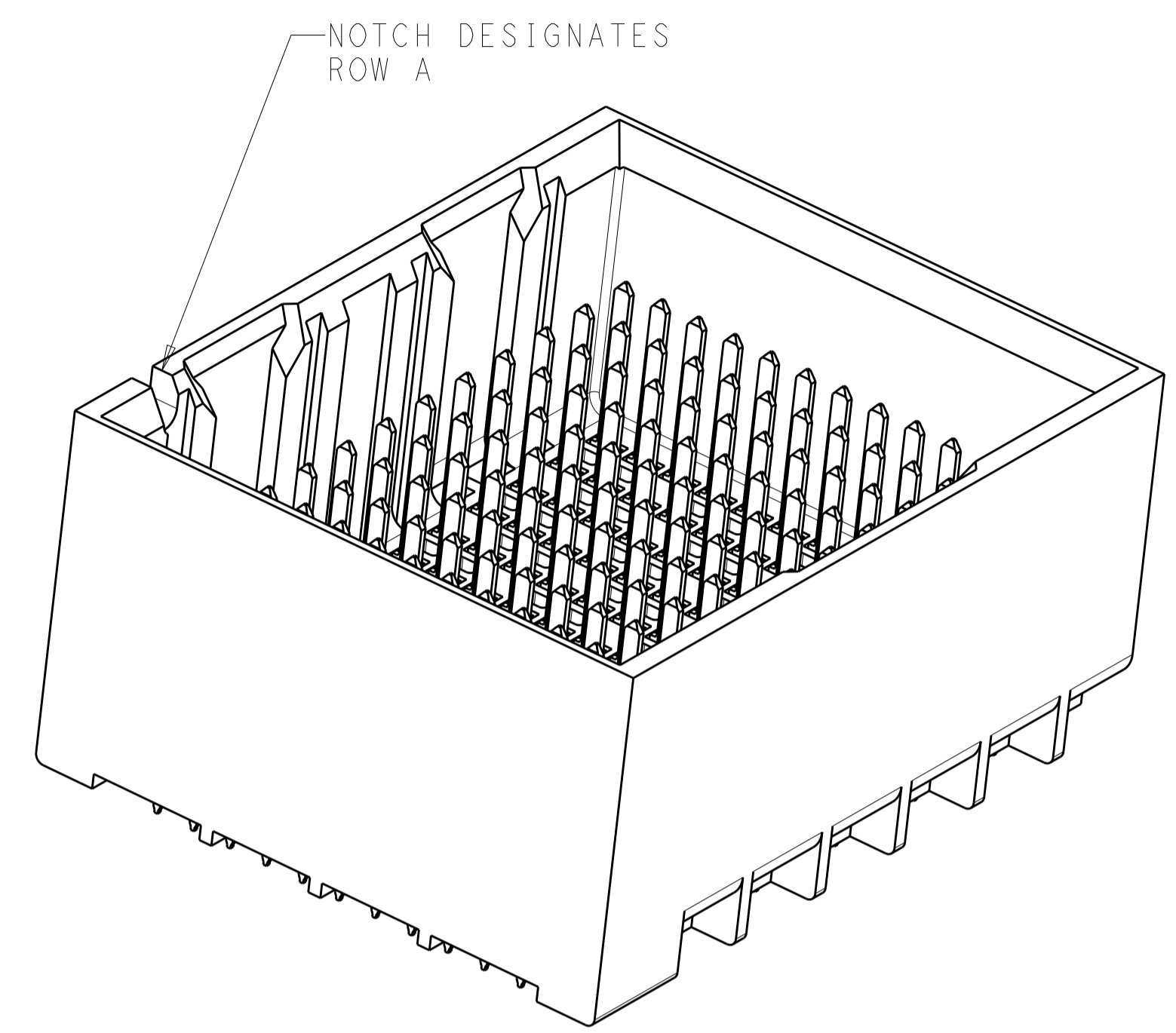
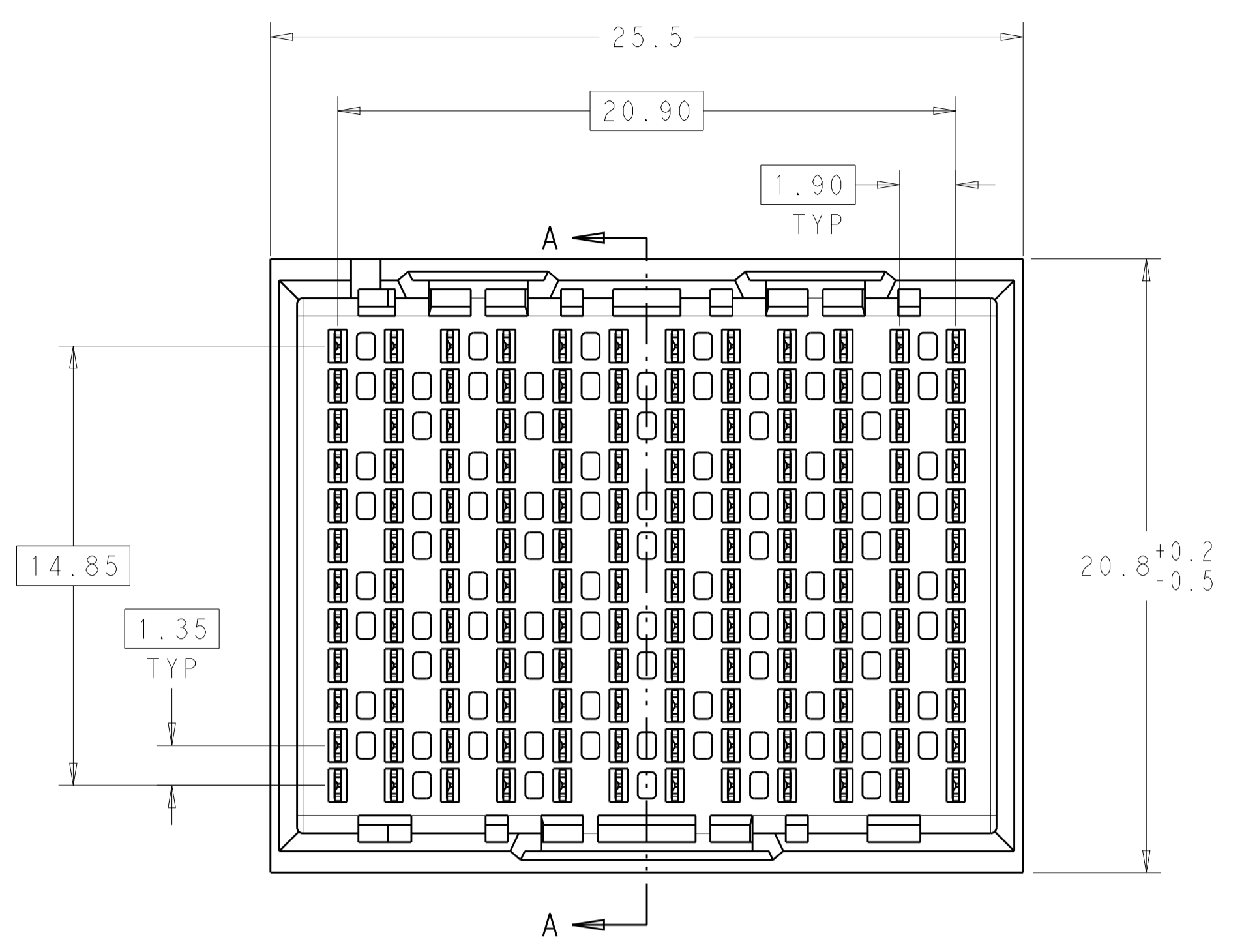
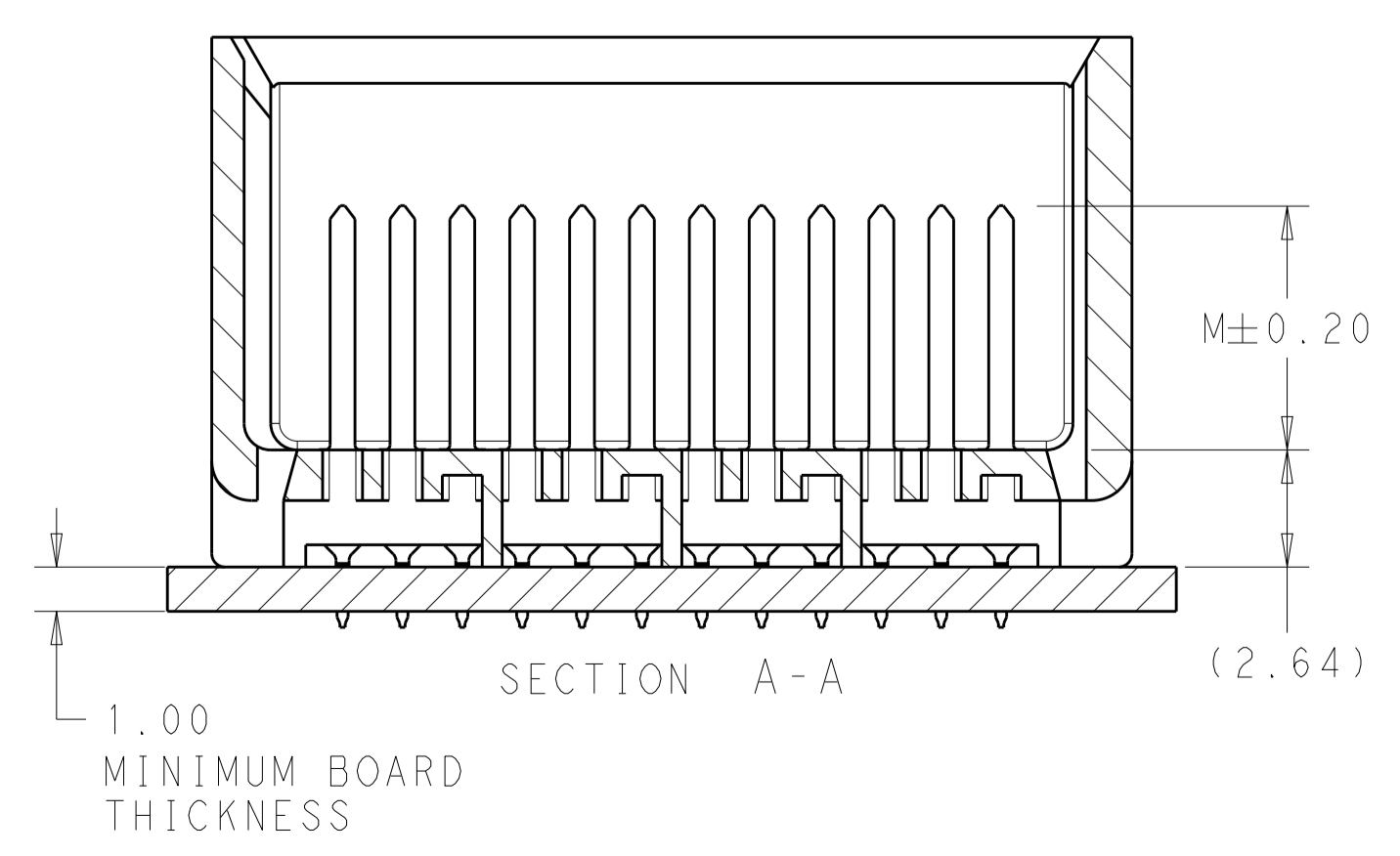
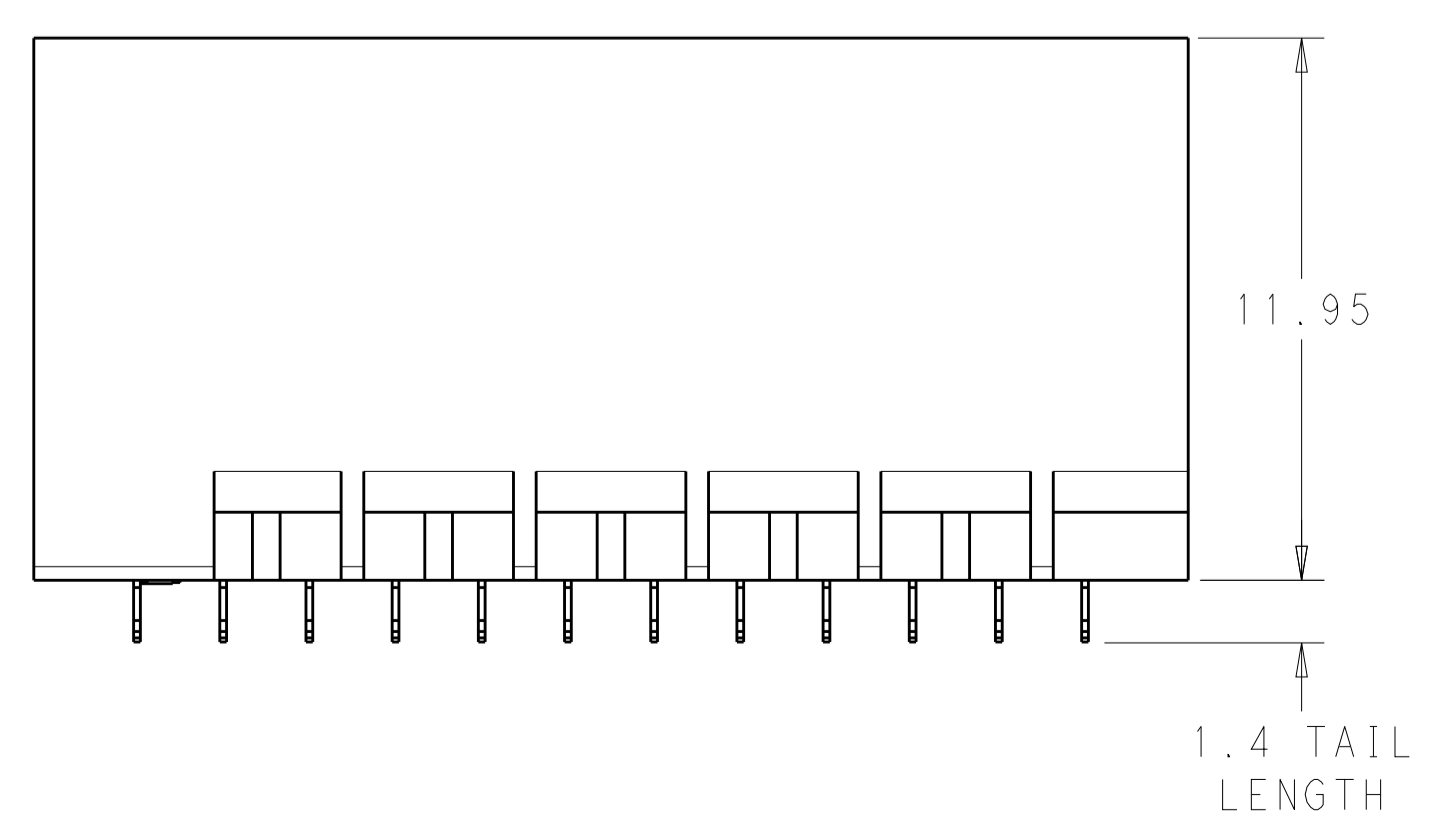
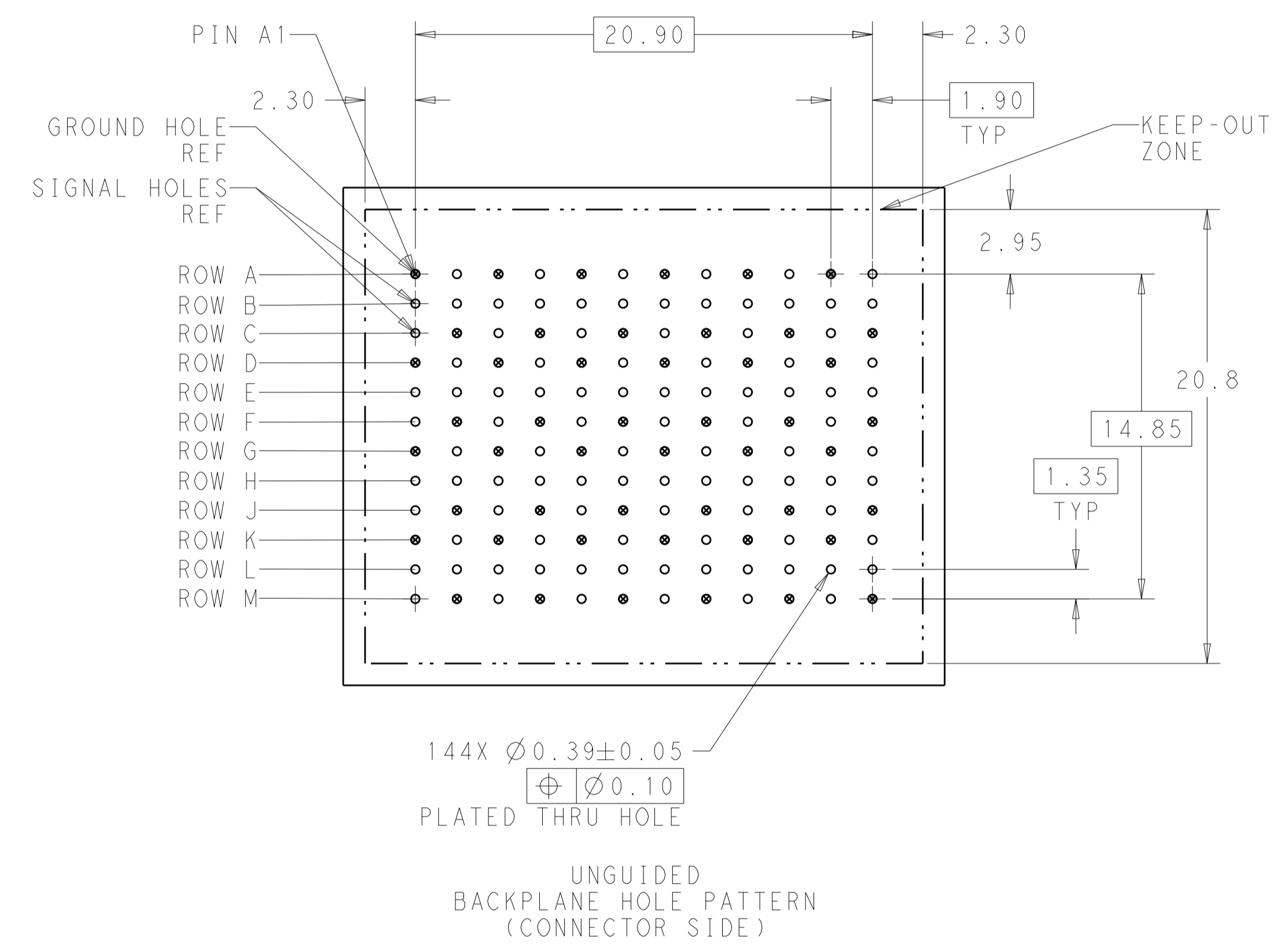


LOC		DIST		REVISIONS			
P	LTN	DESCRIPTION	DATE	DWN	APVD		
A1		REVISED PER ECO-15-001494	06FEB2015	AP	DD		



⚠ MATERIAL:
 HOUSING: LCP, GLASS FILLED, UL94V-0.
 TERMINALS: HIGH PERFORMANCE COPPER ALLOY.

⚠ FINISH:
 30μ" MIN GOLD IN CONTACT AREA. SELECTIVE TIN
 ON PCB TAILS, NICKEL OVERALL.



THIS DRAWING IS A CONTROLLED DOCUMENT.		DWN: B. CARBO 20JAN2012	TE Connectivity NAME: IMPACT, 4 PAIR, 12 COLUMN, HEADER UNGUIDED, DUAL END WALL SIGNAL MODULE, 0.39 PTH
DIMENSIONS:		CHK: D. YI 20JAN2012	
mm		APVD: D. YI 20JAN2012	
0 PLC ± 1 PLC ±0.25 2 PLC ±0.13 3 PLC ± 4 PLC ± ANGLES ±		PRODUCT SPEC APPLICATION SPEC SIZE: CAGE CODE DRAWING NO: WEIGHT: A100779C=2149992 CUSTOMER DRAWING	
MATERIAL: SEE TABLE FINISH: SEE TABLE		RESTRICTED TO:	SCALE: 6:1 SHEET: 1 OF 2 REV: A1

THIS DRAWING IS UNPUBLISHED. RELEASED FOR PUBLICATION 20
COPYRIGHT 20 BY ALL RIGHTS RESERVED.

LOC		DIST		REVISIONS			
P	LTN	DESCRIPTION	DATE	DMN	APVD		
-		SEE SHEET 1	-	-	-		

FINISH	DIM M	PART NUMBER
	5.5	2149992-3
	4.9	2149992-2
	4.5	2149992-1

REFER TO WWW.TE.COM FOR PRODUCT AVAILABILITY

THIS DRAWING IS A CONTROLLED DOCUMENT.		DMN B. CARBO 20JAN2012	
DIMENSIONS: mm		CHK D. YI 20JAN2012	
TOLERANCES UNLESS OTHERWISE SPECIFIED:		APVD D. YI 20JAN2012	
		PRODUCT SPEC	NAME IMPACT, 4 PAIR, 12 COLUMN, HEADER
0 PLC ± 1 PLC ±0.25 2 PLC ±0.13 3 PLC ± 4 PLC ± ANGLES ± FINISH SEE TABLE		APPLICATION SPEC	UNGUIDED, DUAL END WALL SIGNAL MODULE, 0.39 PTH
MATERIAL		WEIGHT	SIZE CAGE CODE DRAWING NO RESTRICTED TO
			A100779C=2149992
CUSTOMER DRAWING		SCALE 5:1	SHEET 2 OF 2 REV A1

单击下面可查看定价，库存，交付和生命周期等信息

[>>TE Connectivity\(泰科\)](#)