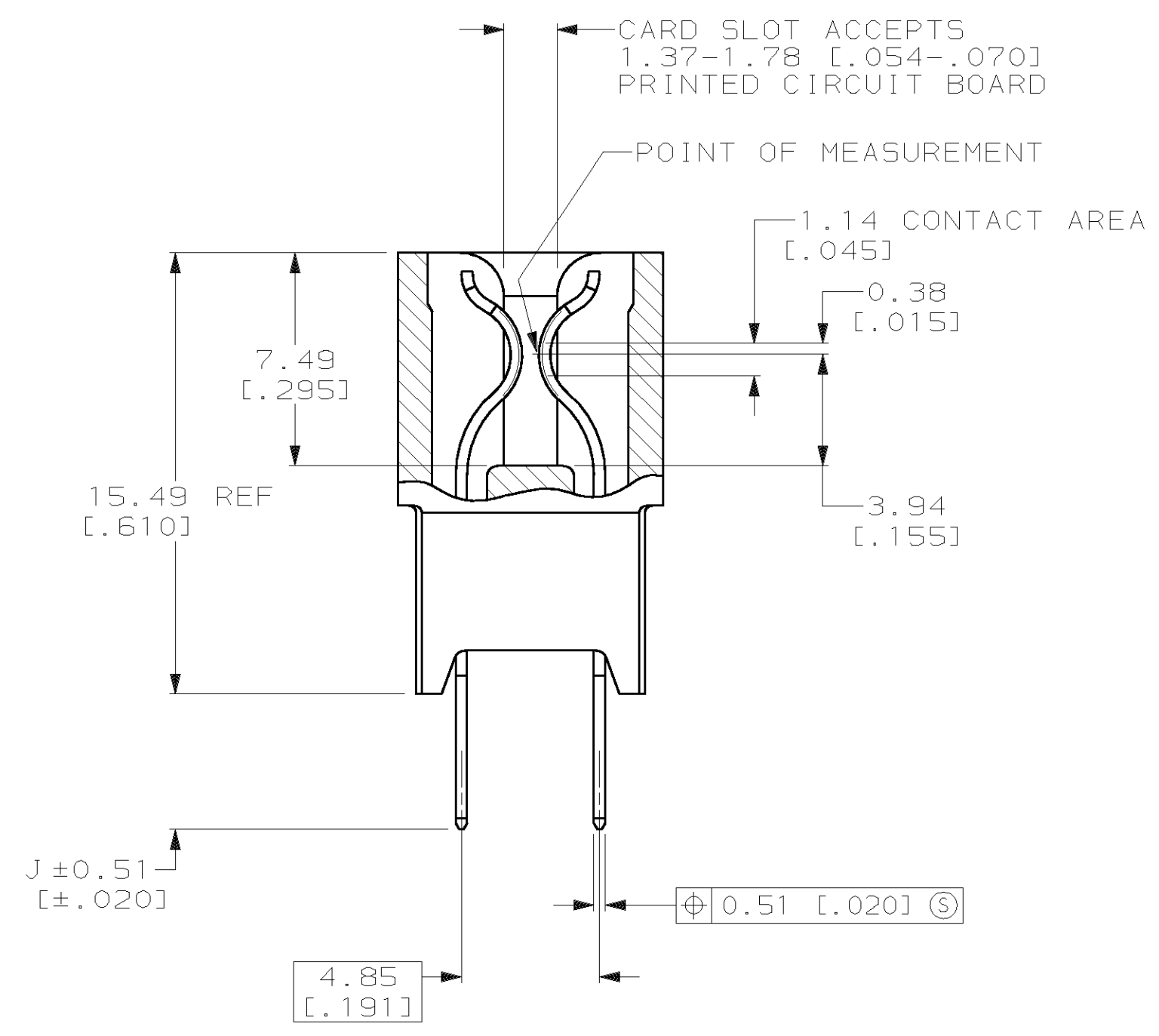
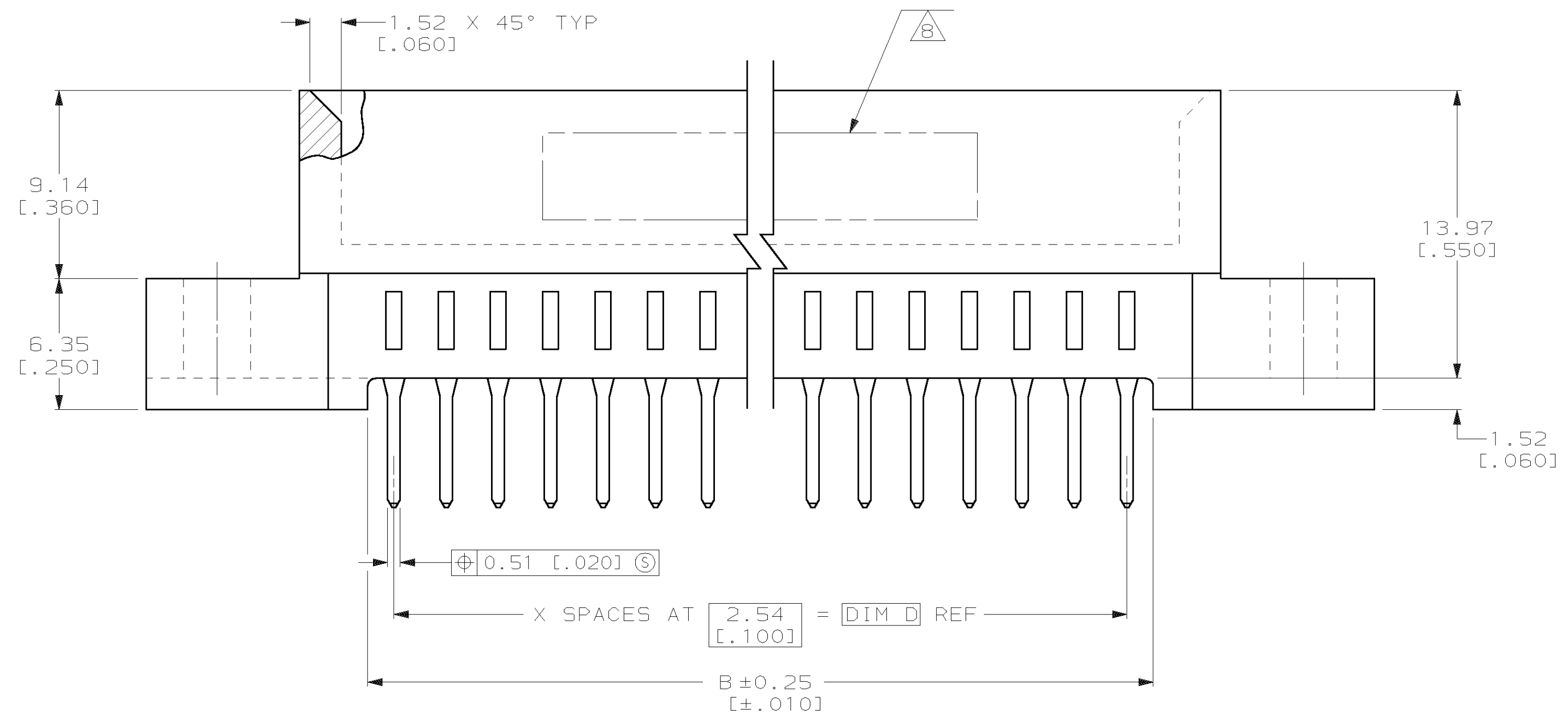
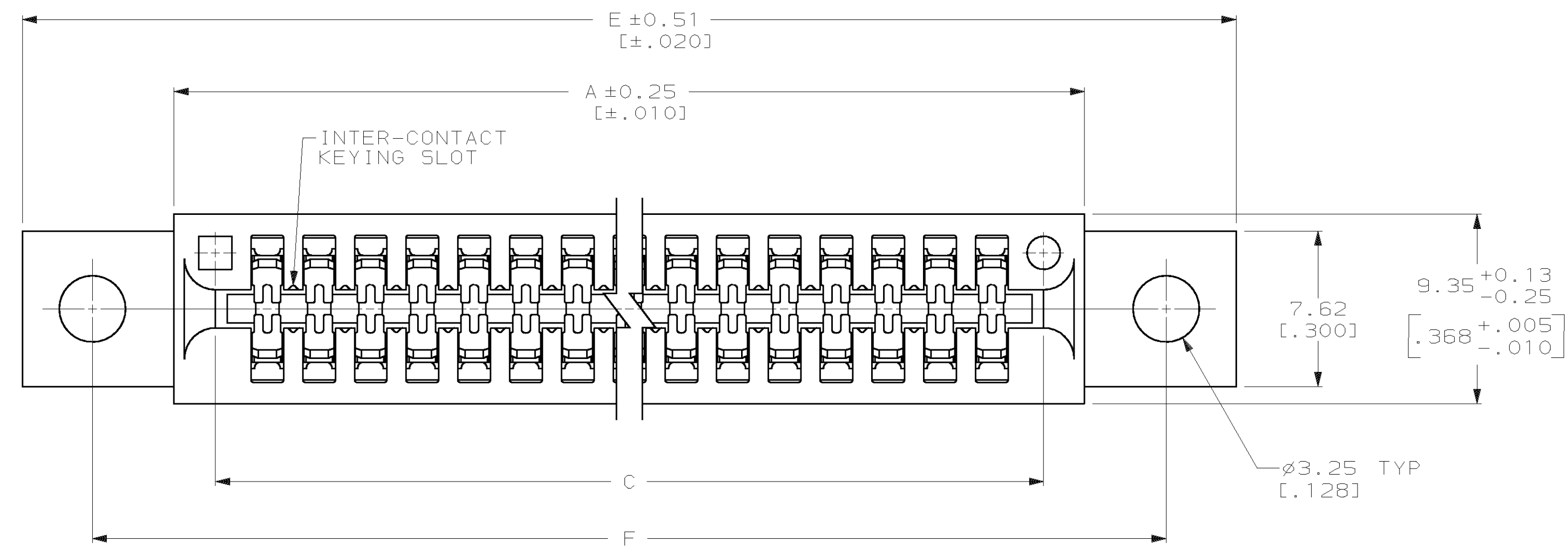


LOC	DIST	P	F	ZONE	LTR	DESCRIPTION	DATE	APPD
GP	00							
				S		REDRAWN PER AD6245	8/10/93	JD
				T		REVISED PER 0010-1201-93	11/11/94	SG JD
				U		REVISED PER 0010-0827-96	11/1/96	RB DG
				V		REVISED PER 0430-0287-96	8/12/97	RB MP
				W		REVISED PER 0651-0074-98	8/4/98	RB AV
				Y		REV PER EC 051B-0118-00	8/31/00	NF DE

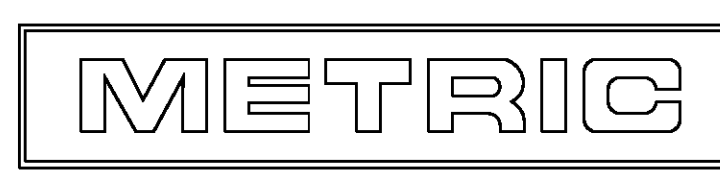


- 1 HOUSING: GLASS FILLED POLYESTER; COLOR: BLACK.
- 2 CONTACT: PHOSPHOR BRONZE.
- 3 NICKEL UNDERPLATE: 0.00127 [0.000050] MIN - ALL OVER.
- 4 TIN-LEAD PLATE: 0.00254 [0.000100] MIN - SOLDER POSTS.
- 5 GOLD PLATE: 0.00038 [0.000015] MIN - CONTACT AREA.
- 6 GOLD PLATE: 0.00076 [0.000030] MIN - CONTACT AREA.
- 7 NICKEL PLATE PER MIL-G-45204. GOLD PLATE PER QQ-N-290.
- 8 AMP PART NUMBER, DATE CODE AND CSA LOGO ARE MARKED IN APPROXIMATE AREA SHOWN, EITHER SIDE.
- 9. RECOMMENDED PCB FINISHED HOLE DIA: 1.02±0.08 [0.40±.003].

DO NOT SCALE PRINT.
 UNLESS SPECIFIED
 DIMENSIONS IN mm [INCHES]
 TOLERANCES ON:
 2 PLC DEC ± 0.13 [0.005]
 3 PLC DEC ± -
 ANGLES ± -

DR 8/10/93 R BROWN	CHK 8/10/93 J DIORAZIO
APPD 8/10/93 J DIORAZIO	APPD 8/10/93 M THUMMA
PRODUCT SPEC 108-9039	APPLICATION SPEC -
WEIGHT -	

AMP Incorporated Harrisburg, PA 17105-3508		
NAME CONNECTOR ASSEMBLY, STANDARD EDGE II, 2.54 [0.100] C		
SIZE D	CAGE CODE 00779	DRAWING NO. 530841
SCALE 5:1	SHEET 1 OF 2	



单击下面可查看定价，库存，交付和生命周期等信息

[>>TE Connectivity\(泰科\)](#)