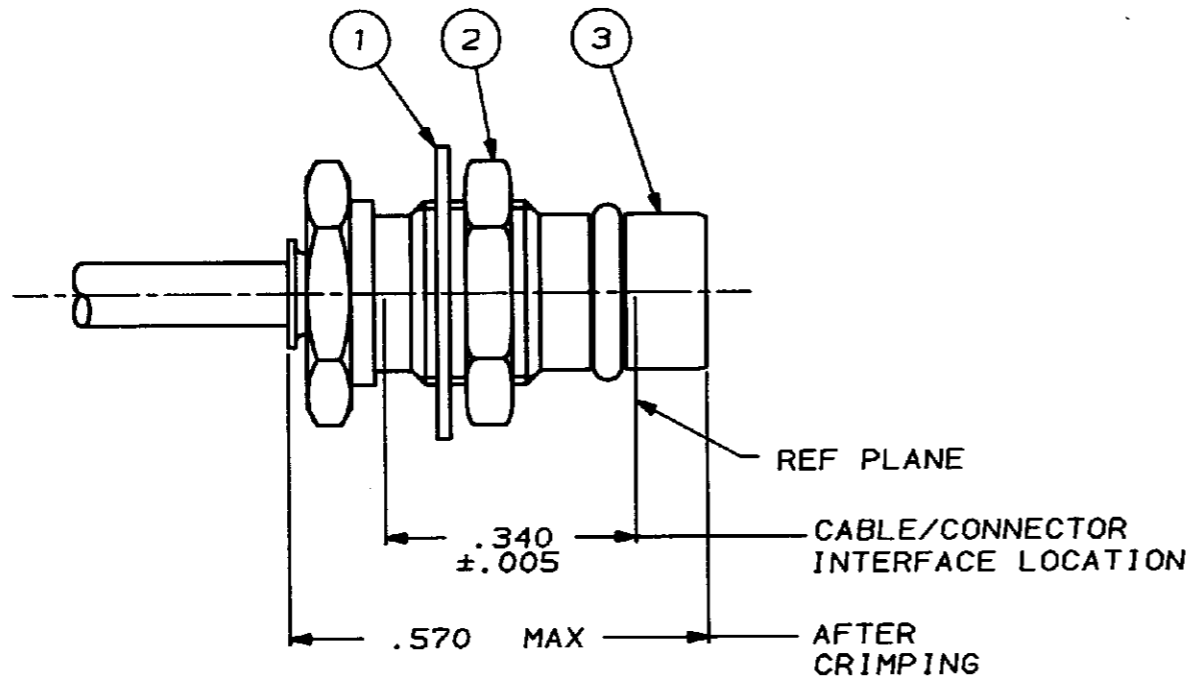
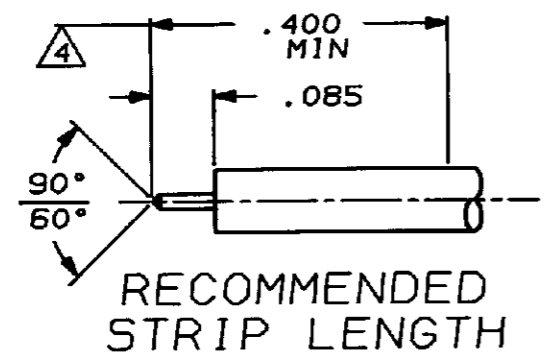


DRAWING MADE IN THIRD ANGLE PROJECTION  
 THIS DRAWING IS UNPUBLISHED. RELEASED FOR PUBLICATION  
 © COPYRIGHT 19 BY AMP INCORPORATED, HARRISBURG, PA. ALL INTERNATIONAL RIGHTS RESERVED. AMP PRODUCTS MAY BE COVERED BY U.S. AND FOREIGN PATENTS AND/OR PATENTS PENDING.

MOD	LOC	DIST	P	F	ZONE	LTR	DESCRIPTION	DATE	APPROVED
	AJ	16					PR 87-3484-003	1/21/87	3/2H



1. FOR USE WITH RG-405, .086 SEMI-RIGID CABLE
  2. USE CRIMPING TOOL 59980-1
  3. .125 MAX PANEL THICKNESS
- △ STRAIGHT CABLE REQUIRED TO APPLY CONNECTOR



QTY	PART NO	DESCRIPTION	ITEM
1	22212-2	JACK ASSY	3
1	2-332004-0	JAM NUT	2
1	1-22145-3	LOCKWASHER	1

UNLESS OTHERWISE SPECIFIED DIMENSIONS ARE IN INCHES TOLERANCES ON: 2 PL DEC ± .008 3 PL DEC ± .008 ANGLES ±		DR <i>M. Egan</i> 4/2/87 CHK <i>S.S. Heide</i> 5/1/87 APPD <i>R. J. Egan</i> 5/1/87 APPD <i>M. Egan</i> 5/1/87	AMP INCORPORATED Harrisburg, Pa. 17105	
MATERIAL	FINISH	PRODUCT SPEC 108-12106	NAME JACK, BULKHEAD, BMB MOUNT, BLIND MATE 3.5 MM	
		APPLICATION SPEC	SIZE B	FSCN NO 00779
		WEIGHT	DRAWING NO 222196-1	SHEET 1 OF 1

AMP 1470-15 REV 10-84

CUSTOMER DRAWING

单击下面可查看定价，库存，交付和生命周期等信息

[>>TE Connectivity\(泰科\)](#)