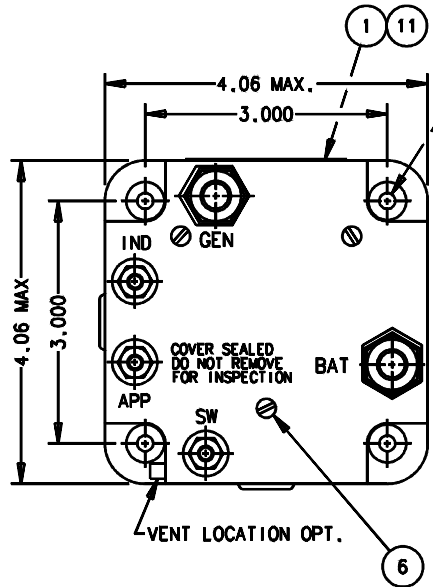


FAA/PMA

REVISIONS		RELEASED	
REV.	DESCRIPTION	DATE	APPROVED
G	31190 REDRAWN TO CAEDS; ADDED ITEM 11	96/10/10	RS
H	33356 FIND NOS 12 & 13 ADDED	97/07/24	RS
J	40555 *FAA/PMA* STAMP REPLACED	99/10/07	RS



CONSTRUCTION  
 MAIN CONTACTS  
 CONFIGURATION  
 VOLTAGE  
 CURRENT

GASKET SEALED (VENTED)

SPST N.O.  
 28 VDC  
 400 AMP  
 1000 AMP FOR 30 SEC  
 1500 AMP INRUSH

DIFF. PICKUP  
 REV. I DROPOUT

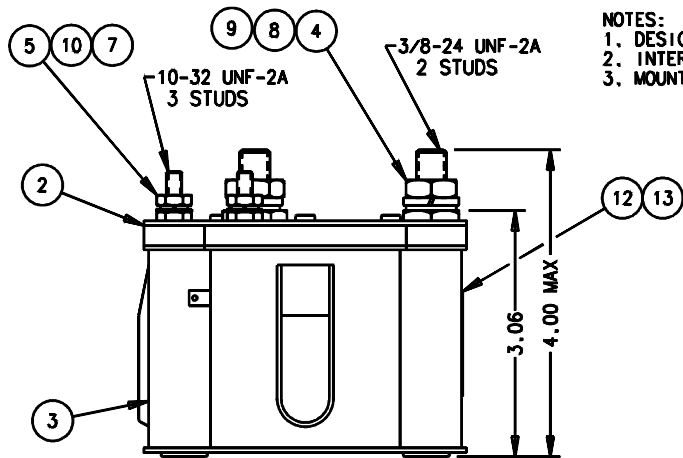
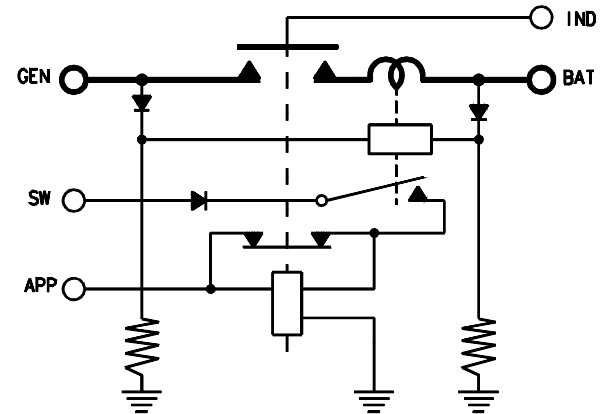
0.5 +/-0.15 VDC  
 25-50 AMPS

COIL DATA  
 VOLTAGE  
 PICKUP  
 PULL THROUGH  
 DROPOUT  
 RESISTANCE AT 25°C  
 PICKUP  
 HOLDING  
 PEAK INRUSH  
 DUTY

24 TO 30 VDC  
 15 VOLTS MAX  
 7 VOLTS MAX AT 25°C  
 0.5 - 7 VOLTS  
 7.5 OHM +/-20%  
 80 OHM +/-20%  
 3 AMP MAX  
 CONTINUOUS ECONOMIZING

AMBIENT TEMPERATURE  
 LIFE ELECTRICAL  
 WEIGHT

-55°C TO +71°C  
 50,000 CYCLES MIN  
 3 LBS. 10 OZ.



- NOTES:  
 1. DESIGNED TO MEET THE APPLICABLE PORTIONS OF MIL-C-5026 AND MIL-R-6106.  
 2. INTERMITTENT COIL DUTY FROM APP, 2 MIN. MAX  
 3. MOUNTING SURFACE SHALL PROVIDE ELECTRICAL GROUND

FIND NO	QTY REQD	PART OR IDENTIFYING NO	NOMENCLATURE OR DESCRIPTION	FSOM NO	DRAWING OR SPECIFICATION	MATERIAL OR NOTE
13	1	39529-024	OVERLAY			
12	1	58400-171	PLATE-FAA/PMA			
11	1	39529-001	OVERLAY - NAME PLATE			
10	3	51810-031	WASHER - LOCK, NO. 10 SPLIT			STEEL
9	2	51807-071	WASHER - LOCK 3/8 X .688 X .094 SPLIT			STEEL
8	2	51704-161	WASHER - 5/8 X .390 X .964			STEEL
7	3	51702-851	WASHER - 7/16 X 13/64 X .032			STEEL
6	3	51200-020	SCREW - 4 X 1/4 PAN HD, SHT, MTL.			S. STEEL
5	3	50410-086	NUT - 10-32 X 3/8 X 1/8 HEX.			BRASS
4	2	50407-166	NUT - 3/8-24 X 5/8 X 7/32 HEX.			BRASS
3	1	33491-010	PRIMARY ASSEMBLY			
2	1	33254-003	PLATE - BASE COVER			
1	1	16043-001	PLATE - NAME			

UNLESS OTHERWISE SPECIFIED DIMENSIONS ARE IN INCHES FOLLOWS OR	HARTMAN ELECTRICAL MANUFACTURING MANFIELD, OHIO	
2 PL DEC. 3 PL DEC. ANGLES	CUTOUT - REVERSE CURRENT 400 AMP - 28 VDC	
.06 .010 .1°	DR BY RLS 99/11/02	093
MATERIAL	CHK BY RS 99/11/02	
	ENGR JL 99/11/03	
	MFG CC 99/11/04	
RELEASE	SIZE C	CODE IDENT 74063
CONTR NO.	DWG NO. A-701D	
GOVT APPVL	SCALE NONE	SHEET

REF TYCO P/N 1-1616109-1

单击下面可查看定价，库存，交付和生命周期等信息

[>>TE Connectivity\(泰科\)](#)