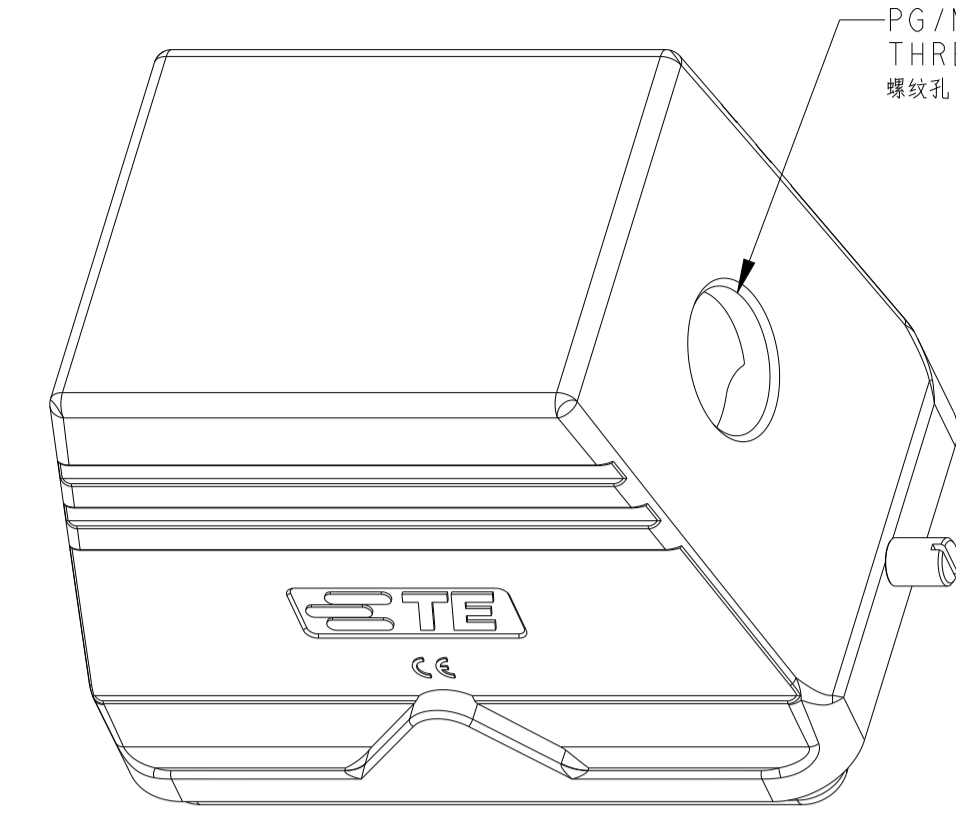
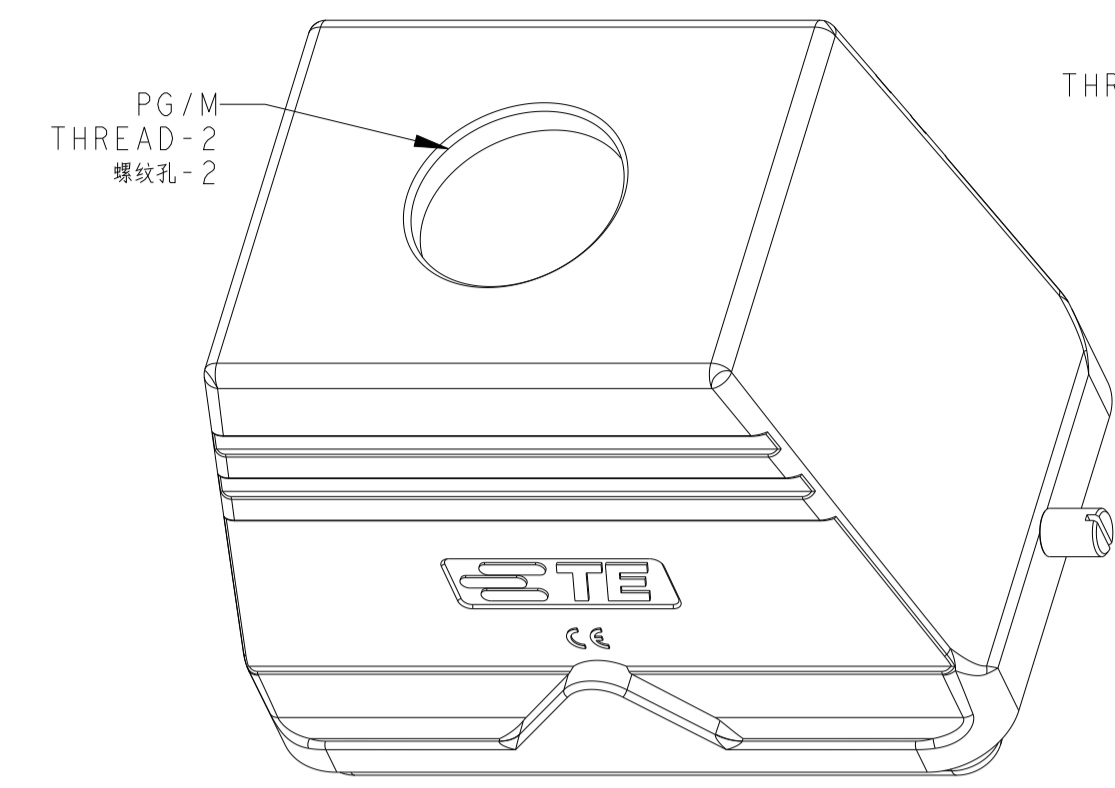


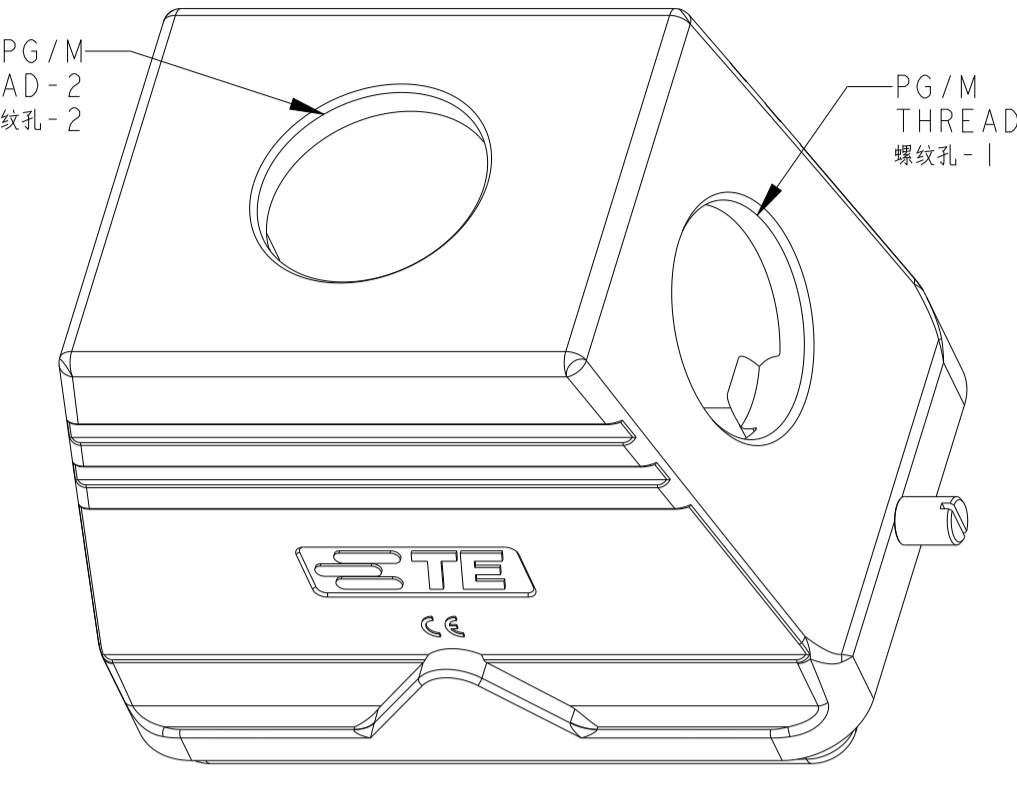
TYPE 1: H48B HOOD, NO ENTRY, 2 EAR
类型1: H48B上壳, 无线孔, 2耳



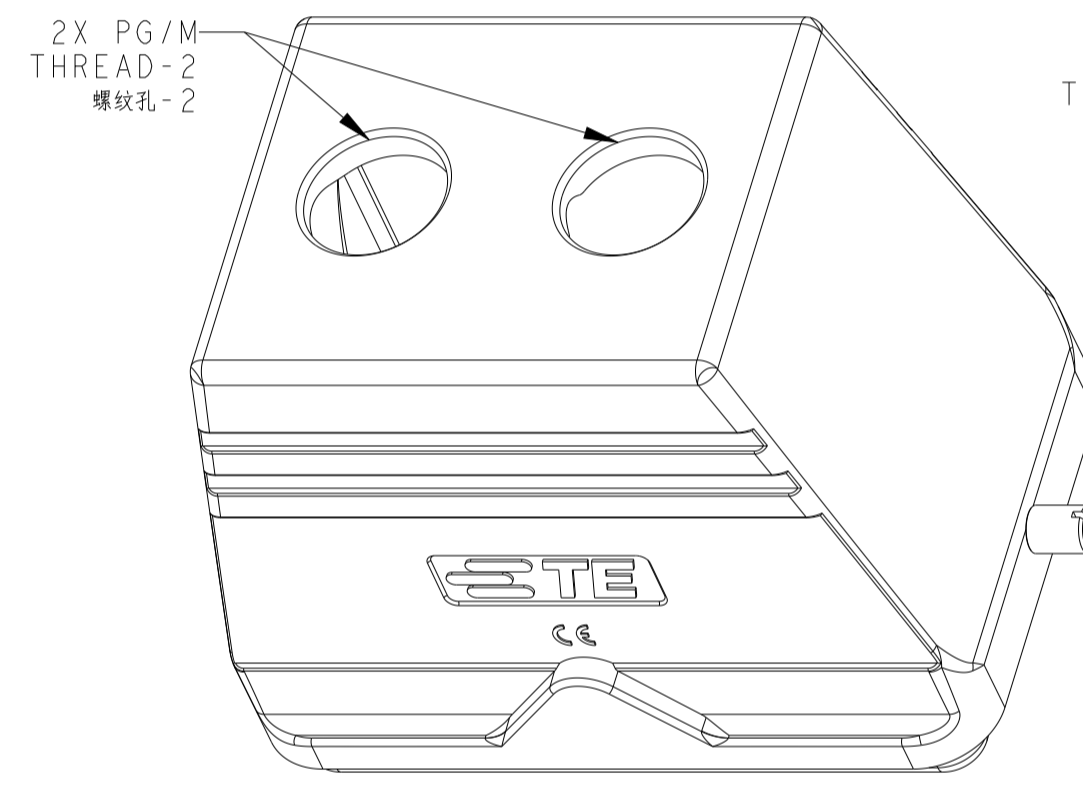
TYPE 2: H48B HOOD, SIDE ENTRY, 2 EAR
OTHER SPEC REFER TO TYPE 1
类型2: H48B上壳, 侧出, 2耳
未注规格参照类型1



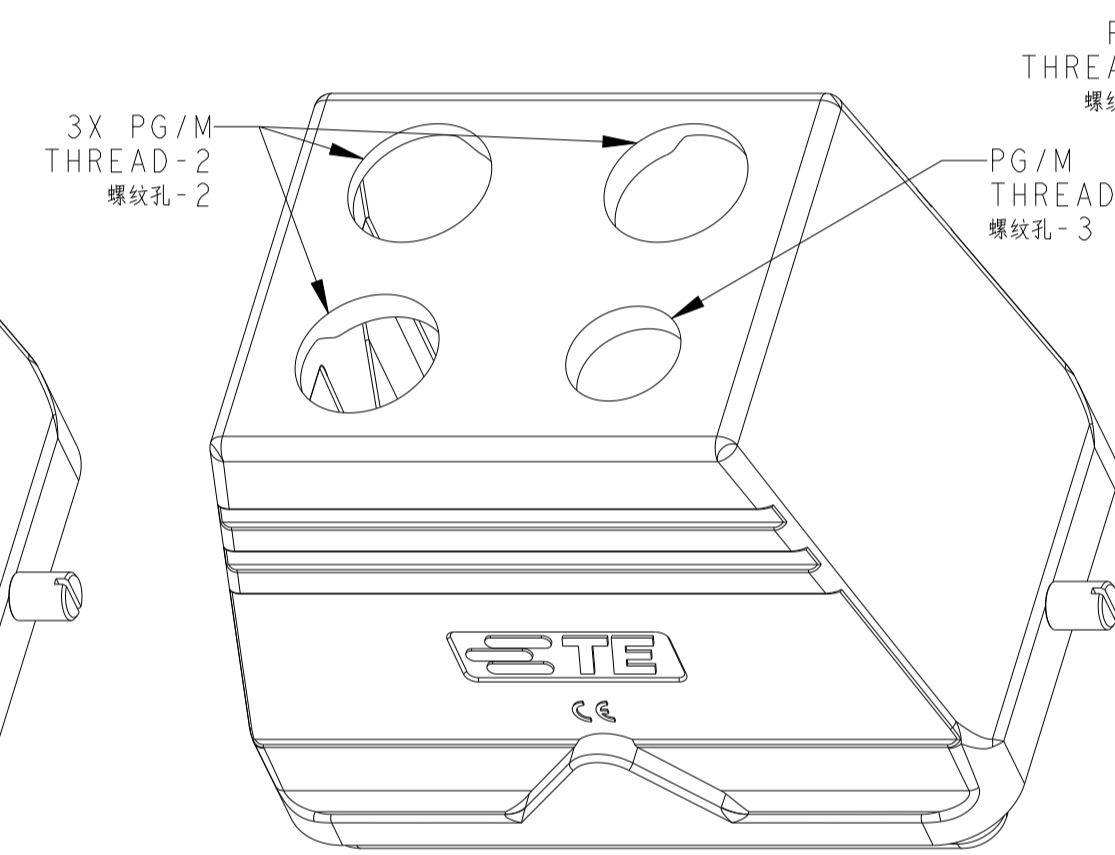
TYPE 3: H48B HOOD, TOP ENTRY, 2 EAR
OTHER SPEC REFER TO TYPE 1
类型3: H48B上壳, 顶出, 2耳
未注规格参照类型1



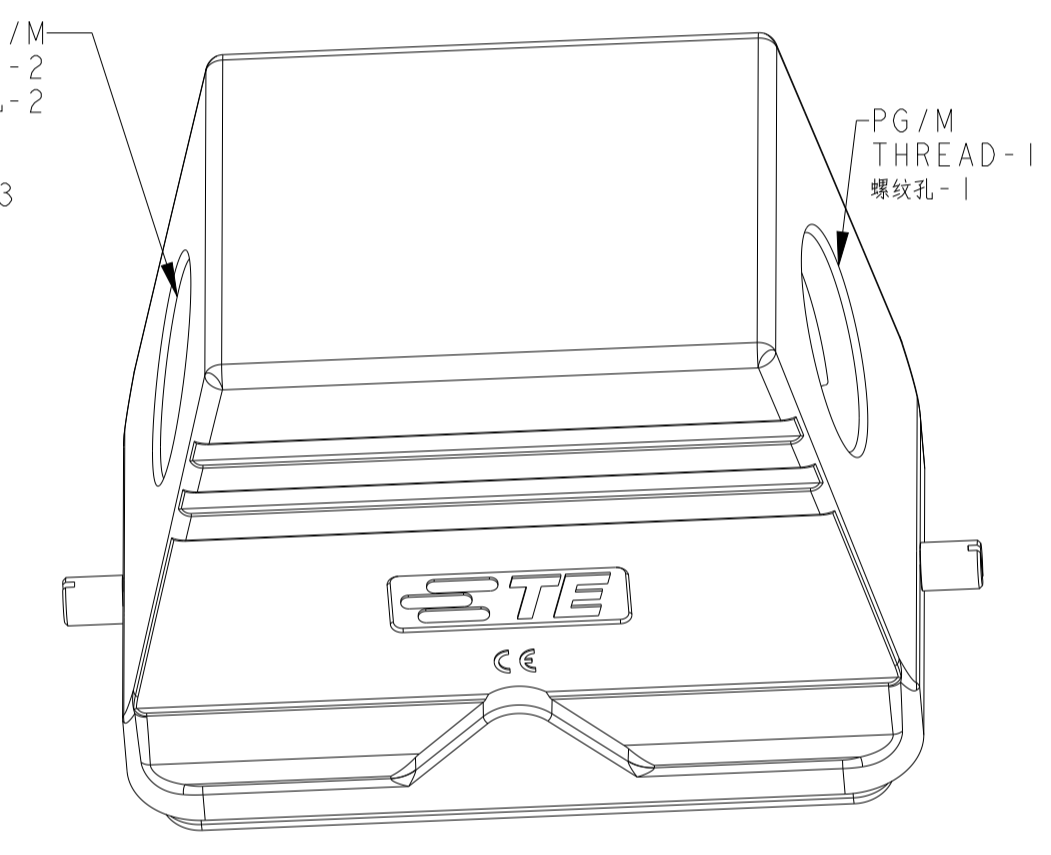
TYPE 4: H48B HOOD, SIDE/TOP ENTRY, 2 EAR
OTHER SPEC REFER TO TYPE 1 & TYPE 2
类型4: H48B上壳, 侧顶出, 2耳
未注规格参照类型1和类型2



TYPE 5: H48B HOOD, TOP ENTRY (2 HOLE), 2 EAR
OTHER SPEC REFER TO TYPE 1
类型5: H48B上壳, 顶出(2孔), 2耳
未注规格参照类型1



TYPE 6: H48B HOOD, TOP ENTRY (4 HOLE), 2 EAR
OTHER SPEC REFER TO TYPE 1
类型6: H48B上壳, 顶出(4孔), 2耳
未注规格参照类型1



TYPE 7: H48B HOOD, SIDE ENTRY (2 HOLE), 2 EAR
OTHER SPEC REFER TO TYPE 1
类型7: H48B上壳, 侧出(2孔), 2耳
未注规格参照类型1

REVISIONS				
P	LTN	DESCRIPTION	DATE	APPV
A2	ECR-17-002665		27FEB2017	BS CW
A3	ECR-18-018974		04DEC2018	WOR CW
A4	ECR-19-010616		08JUL2019	CD CW
B	ECR-21-109004		19AUG2021	WOR CW

PART NUMBER	PART DESCRIPTION	PG/M THREAD-1	PG/M THREAD-2	PG/M THREAD-3	TYPE
料号	描述	螺纹孔-1	螺纹孔-2	螺纹孔-3	类型
T10X0480000-000	H48B-TG/S-RO-XX H48B HOOD, NO ENTRY, 2 EAR, POWDER COATED, GREY H48B上壳, 无线孔, 2耳, 灰色粉末喷涂	-	-	-	TYPE 1
T1310480125-000	H48B-TS-RO-M25 H48B HOOD, SIDE ENTRY M25, 2 EAR, POWDER COATED, GREY H48B上壳, 侧出M25, 2耳, 灰色粉末喷涂	M25	-	-	TYPE 2
T1310480129-000	H48B-TS-RO-PG29 H48B HOOD, SIDE ENTRY PG29, 2 EAR, POWDER COATED, GREY H48B上壳, 侧出PG29, 2耳, 灰色粉末喷涂	PG29	-	-	
T1310480132-000	H48B-TS-RO-M32 H48B HOOD, SIDE ENTRY M32, 2 EAR, POWDER COATED, GREY H48B上壳, 侧出M32, 2耳, 灰色粉末喷涂	M32	-	-	
T1310480136-000	H48B-TS-RO-PG36 H48B HOOD, SIDE ENTRY PG36, 2 EAR, POWDER COATED, GREY H48B上壳, 侧出PG36, 2耳, 灰色粉末喷涂	PG36	-	-	
T1310480140-000	H48B-TS-RO-M40 H48B HOOD, SIDE ENTRY M40, 2 EAR, POWDER COATED, GREY H48B上壳, 侧出M40, 2耳, 灰色粉末喷涂	M40	-	-	
T1310480142-000	H48B-TS-RO-PG42 H48B HOOD, SIDE ENTRY PG42, 2 EAR, POWDER COATED, GREY H48B上壳, 侧出PG42, 2耳, 灰色粉末喷涂	PG42	-	-	
T1310480148-000	H48B-TS-RO-PG48 H48B HOOD, SIDE ENTRY PG48, 2 EAR, POWDER COATED, GREY H48B上壳, 侧出PG48, 2耳, 灰色粉末喷涂	PG48	-	-	
T1310480150-000	H48B-TS-RO-M50 H48B HOOD, SIDE ENTRY M50, 2 EAR, POWDER COATED, GREY H48B上壳, 侧出M50, 2耳, 灰色粉末喷涂	M50	-	-	TYPE 3
T1320480129-000	H48B-TG-RO-PG29 H48B HOOD, TOP ENTRY PG29, 2 EAR, POWDER COATED, GREY H48B上壳, 顶出PG29, 2耳, 灰色粉末喷涂	-	PG29	-	
T1320480132-000	H48B-TG-RO-M32 H48B HOOD, TOP ENTRY M32, 2 EAR, POWDER COATED, GREY H48B上壳, 顶出M32, 2耳, 灰色粉末喷涂	-	M32	-	
T1320480136-000	H48B-TG-RO-PG36 H48B HOOD, TOP ENTRY PG36, 2 EAR, POWDER COATED, GREY H48B上壳, 顶出PG36, 2耳, 灰色粉末喷涂	-	PG36	-	
T1320480140-000	H48B-TG-RO-M40 H48B HOOD, TOP ENTRY M40, 2 EAR, POWDER COATED, GREY H48B上壳, 顶出M40, 2耳, 灰色粉末喷涂	-	M40	-	
T1320480142-000	H48B-TG-RO-PG42 H48B HOOD, TOP ENTRY PG42, 2 EAR, POWDER COATED, GREY H48B上壳, 顶出PG42, 2耳, 灰色粉末喷涂	-	PG42	-	
T1320480150-000	H48B-TG-RO-M50 H48B HOOD, TOP ENTRY M50, 2 EAR, POWDER COATED, GREY H48B上壳, 顶出M50, 2耳, 灰色粉末喷涂	-	M50	-	
T1320480163-000	H48B-TG-RO-M63 H48B HOOD, TOP ENTRY M63, 2 EAR, POWDER COATED, GREY H48B上壳, 顶出M63, 2耳, 灰色粉末喷涂	-	M63	-	TYPE 4
T13204804040-000	H48B-TG/TS-RO-M40/M40 H48B HOOD, TOP/SIDE ENTRY M40, 2 EAR, POWDER COATED, GREY H48B上壳, 顶/侧出M40, 2耳, 灰色粉末喷涂	M40	M40	-	
T13204805040-000	H48B-TG/TS-RO-M50/M40 H48B HOOD, TOP/SIDE ENTRY M50, SIDE ENTRY M40, 2 EAR, POWDER COATED, GREY H48B上壳, 顶出M50, 侧出M40, 2耳, 灰色粉末喷涂	M40	M50	-	TYPE 5
T1320480225-000	H48B-TG-RO-2M25 H48B HOOD, TOP ENTRY 2M25, 2 EAR, POWDER COATED, GREY H48B上壳, 顶出2M25, 2耳, 灰色粉末喷涂	-	2X M25	-	
T1320482520-000	H48B-TG-3M25M20 H48B HOOD, TOP ENTRY 3M25, 1M20, 2 EAR, POWDER COATED, GREY H48B上壳, 顶出3M25, 1M20, 2耳, 灰色粉末喷涂	-	3X M25	M20	TYPE 6
T1310480229-000	H48B-TS-RO-2PG29 H48B HOOD, SIDE ENTRY 2PG29, 2 EAR, POWDER COATED, GREY H48B上壳, 侧出2PG29, 2耳, 灰色粉末喷涂	PG29	PG29	-	TYPE 7

NOTES:
1. TECHNICAL CHARACTERISTICS:
BODY MATERIAL: DIE CAST ALUMINIUM ALLOY
SURFACE TREATMENT: POWDER-COATED, GREY
DEGREE OF PROTECTION: IP65 (MATED)

注释:
1. 技术参数:
主体材料: 铝合金
表面处理: 灰色粉末喷涂
防护等级: IP65(配合)

THIS DRAWING IS A CONTROLLED DOCUMENT.		OWN: DAVID LI 08JUN2015	TE Connectivity NAME: H48B-TG/TS-RO-PG/M
DIMENSIONS:		CHK: CHRIS WANG 08JUN2015	
TOLERANCES UNLESS OTHERWISE SPECIFIED:		APVD: XU XIANG 08JUN2015	
mm		PRODUCT SPEC	
0 PLC ± 1 PLC ± 2 PLC ± 3 PLC ± 4 PLC ± ANGLES ±		108-137013	SIZE: A1
MATERIAL:		114-137013	CAGE CODE: C-T13X048XXXX000
FINISH:		WEIGHT:	RESTRICTED TO: B
		CUSTOMER DRAWING	SCALE: 1:1 SHEET 1 OF 1 REV: B

单击下面可查看定价，库存，交付和生命周期等信息

[>>TE Connectivity\(泰科\)](#)