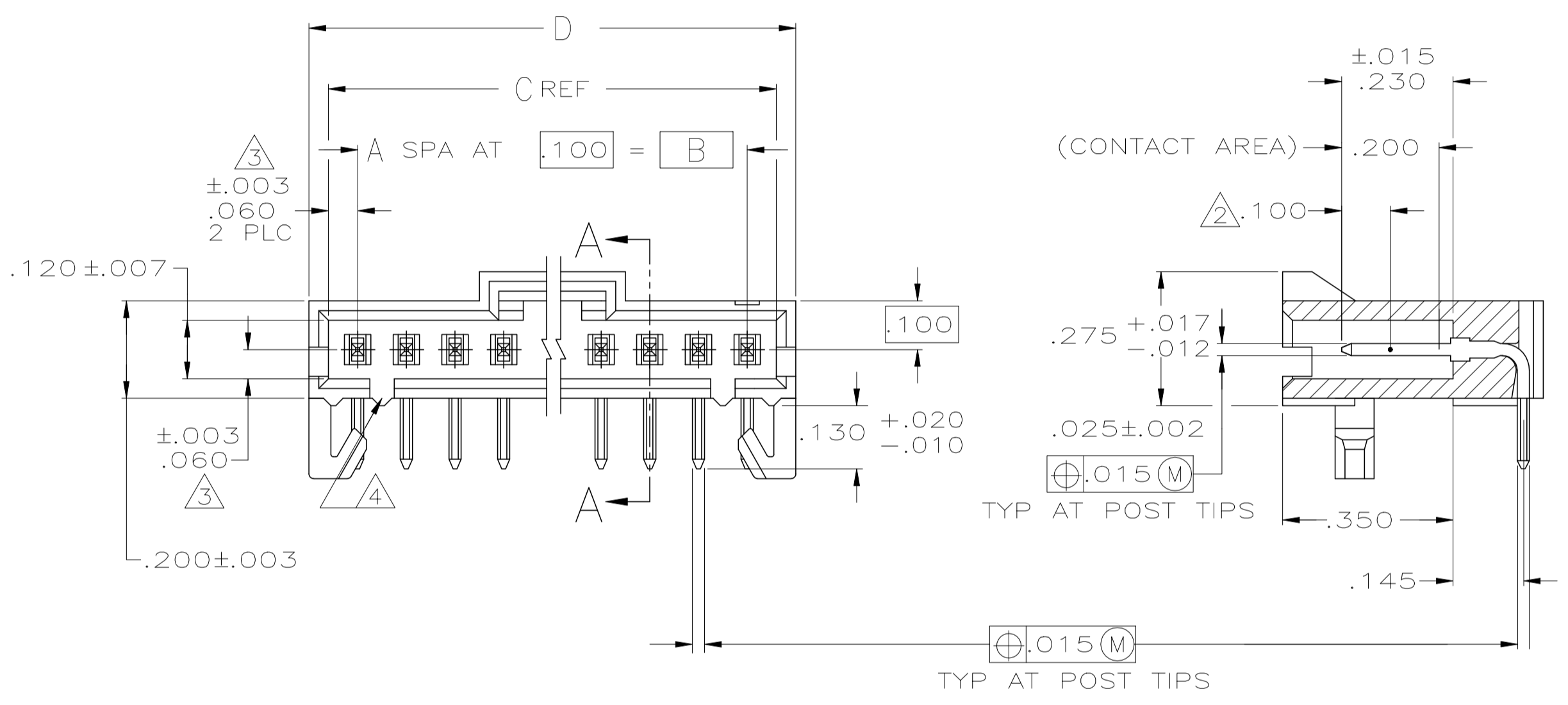
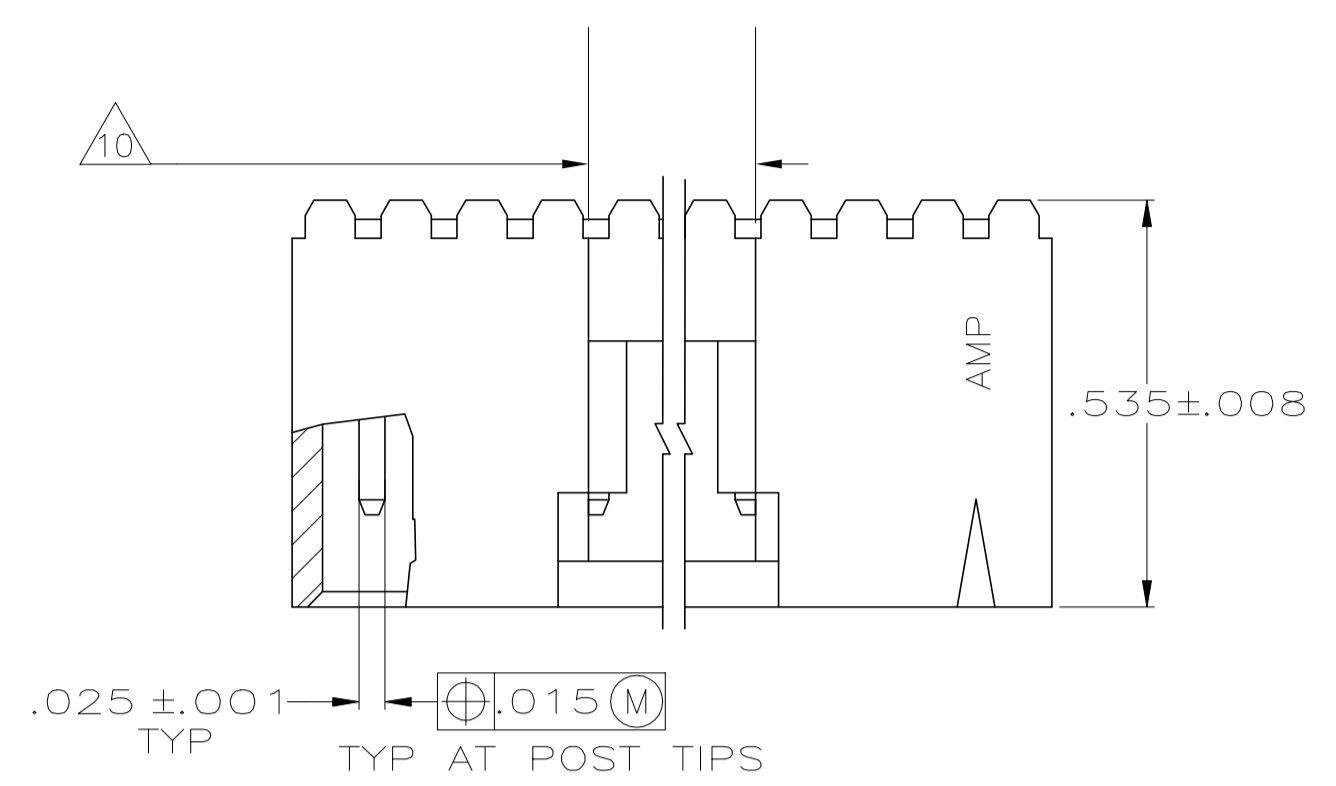
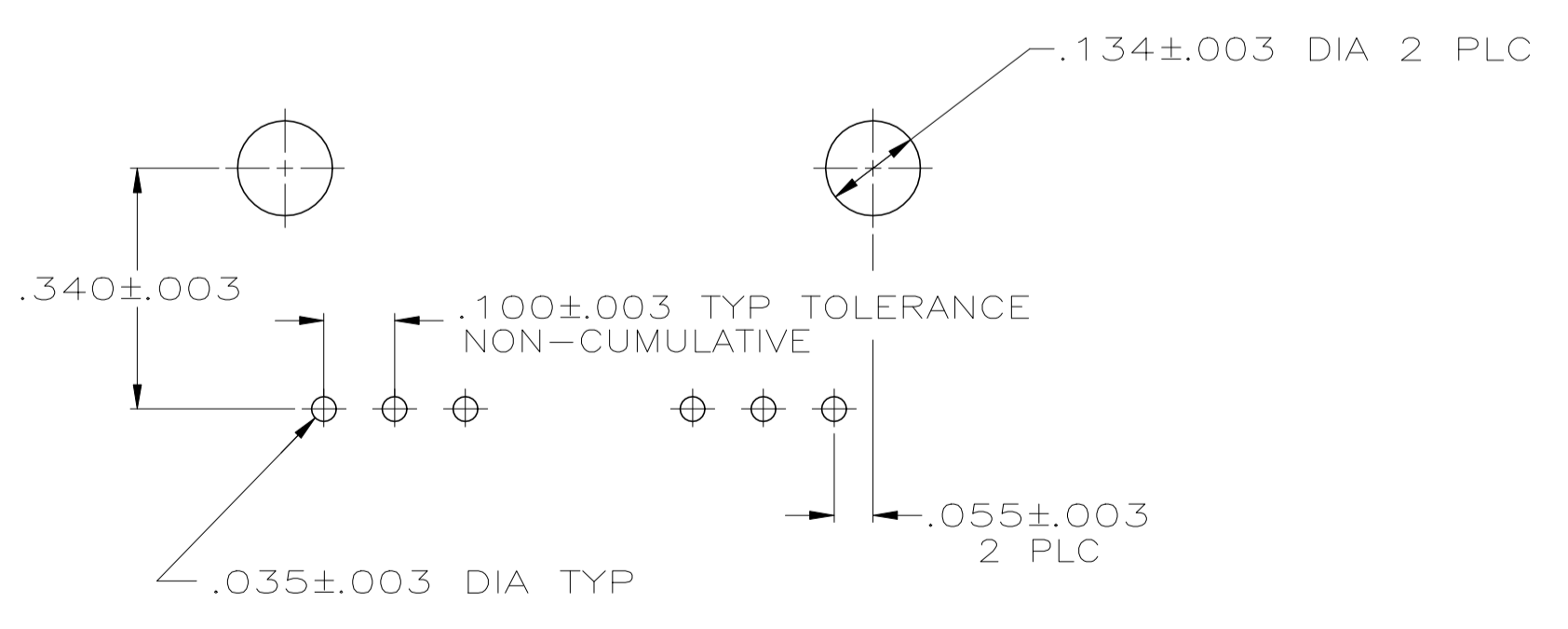


| REVISIONS |     |                           |           |     |      |
|-----------|-----|---------------------------|-----------|-----|------|
| P         | LTR | DESCRIPTION               | DATE      | DRN | APVD |
| R         |     | REVISED PER ECO-17-002583 | 08APR2017 | RS  | MM   |
| S         |     | REVISED PER ECO-20-001323 | 17JUN2020 | SM  | JO   |

- 1 HOUSING: FLAME RETARDANT, LCP, BLACK  
POST: BRASS
- 2 POINT OF MEASUREMENT FOR PLATING THICKNESS
- 3 THE NOTED DIMENSIONS APPLY FROM THE BASIC DIMENSION LINE (NOT THE POST CENTERLINE) TO THE SURFACE INDICATED
- 4 ON ASSEMBLIES WITH FOUR OR MORE POSITIONS, TWO POLARIZATION SLOTS.  
ON ASSEMBLIES WITH TWO OR THREE POSITIONS, ONE POLARIZATION SLOT.
- 5 FOR USE WITH .062±.008 PRINTED CIRCUIT BOARD
- 6 .000030 GOLD IN THE CONTACT AREA,  
.000100-.000200 MATTE TIN-LEAD ON THE SOLDER TAIL, ALL OVER .000050 NICKEL
- 7 .000030 GOLD IN THE CONTACT AREA,  
.000100-.000200 MATTE TIN ON THE SOLDER TAIL, ALL OVER .000050 NICKEL
- 8 HIGH TEMPERATURE CONFIGURATION.
- 9 OBSOLETE PARTS: OBSOLETE CIS STREAMLINING PER D.RENAUD/D.SINISI
- 10 .010 RECESS PERMISSIBLE IN THIS AREA FOR MOLD SHUT OFF



SECTION A-A



RECOMMENDED HOLE LAYOUT

| REMARKS  | PLATING | D     | C     | B     | A  | NO OF POS | ASSEMBLY PART NUMBER |
|----------|---------|-------|-------|-------|----|-----------|----------------------|
| OBSOLETE |         | 2.595 | 2.520 | 2.400 | 24 | 25        | 7-103904-4           |
|          |         | 2.495 | 2.420 | 2.300 | 23 | 24        | 7-103904-3           |
|          |         | 2.395 | 2.320 | 2.200 | 22 | 23        | 7-103904-2           |
|          |         | 2.295 | 2.220 | 2.100 | 21 | 22        | 7-103904-1           |
|          |         | 2.195 | 2.120 | 2.000 | 20 | 21        | 7-103904-0           |
|          |         | 2.095 | 2.020 | 1.900 | 19 | 20        | 6-103904-9           |
|          |         | 1.995 | 1.920 | 1.800 | 18 | 19        | 6-103904-8           |
|          |         | 1.895 | 1.820 | 1.700 | 17 | 18        | 6-103904-7           |
|          |         | 1.795 | 1.720 | 1.600 | 16 | 17        | 6-103904-6           |
|          |         | 1.695 | 1.620 | 1.500 | 15 | 16        | 6-103904-5           |
|          |         | 1.595 | 1.520 | 1.400 | 14 | 15        | 6-103904-4           |
|          |         | 1.495 | 1.420 | 1.300 | 13 | 14        | 6-103904-3           |
|          |         | 1.395 | 1.320 | 1.200 | 12 | 13        | 6-103904-2           |
|          |         | 1.295 | 1.220 | 1.100 | 11 | 12        | 6-103904-1           |
|          |         | 1.195 | 1.120 | 1.000 | 10 | 11        | 6-103904-0           |
|          |         | 1.095 | 1.020 | .900  | 9  | 10        | 5-103904-9           |
|          |         | .995  | .920  | .800  | 8  | 9         | 5-103904-8           |
|          |         | .895  | .820  | .700  | 7  | 8         | 5-103904-7           |
|          |         | .795  | .720  | .600  | 6  | 7         | 5-103904-6           |
|          |         | .695  | .620  | .500  | 5  | 6         | 5-103904-5           |
|          |         | .595  | .520  | .400  | 4  | 5         | 5-103904-4           |
|          |         | .495  | .420  | .300  | 3  | 4         | 5-103904-3           |
|          |         | .395  | .320  | .200  | 2  | 3         | 5-103904-2           |
|          |         | .295  | .220  | .100  | 1  | 2         | 5-103904-1           |
|          |         | 2.595 | 2.520 | 2.400 | 24 | 25        | 2-103904-4           |
|          |         | 2.495 | 2.420 | 2.300 | 23 | 24        | 2-103904-3           |
|          |         | 2.395 | 2.320 | 2.200 | 22 | 23        | 2-103904-2           |
|          |         | 2.295 | 2.220 | 2.100 | 21 | 22        | 2-103904-1           |
|          |         | 2.195 | 2.120 | 2.000 | 20 | 21        | 2-103904-0           |
|          |         | 2.095 | 2.020 | 1.900 | 19 | 20        | 1-103904-9           |
|          |         | 1.995 | 1.920 | 1.800 | 18 | 19        | 1-103904-8           |
|          |         | 1.895 | 1.820 | 1.700 | 17 | 18        | 1-103904-7           |
|          |         | 1.795 | 1.720 | 1.600 | 16 | 17        | 1-103904-6           |
|          |         | 1.695 | 1.620 | 1.500 | 15 | 16        | 1-103904-5           |
|          |         | 1.595 | 1.520 | 1.400 | 14 | 15        | 1-103904-4           |
|          |         | 1.495 | 1.420 | 1.300 | 13 | 14        | 1-103904-3           |
|          |         | 1.395 | 1.320 | 1.200 | 12 | 13        | 1-103904-2           |
|          |         | 1.295 | 1.220 | 1.100 | 11 | 12        | 1-103904-1           |
|          |         | 1.195 | 1.120 | 1.000 | 10 | 11        | 1-103904-0           |
|          |         | 1.095 | 1.020 | .900  | 9  | 10        | 103904-9             |
|          |         | .995  | .920  | .800  | 8  | 9         | 103904-8             |
|          |         | .895  | .820  | .700  | 7  | 8         | 103904-7             |
|          |         | .795  | .720  | .600  | 6  | 7         | 103904-6             |
|          |         | .695  | .620  | .500  | 5  | 6         | 103904-5             |
|          |         | .595  | .520  | .400  | 4  | 5         | 103904-4             |
|          |         | .495  | .420  | .300  | 3  | 4         | 103904-3             |
|          |         | .395  | .320  | .200  | 2  | 3         | 103904-2             |
|          |         | .295  | .220  | .100  | 1  | 2         | 103904-1             |

9 SUPERCEDED BY 6-103904-2

THIS DRAWING IS A CONTROLLED DOCUMENT. DWN E. BRANDBERG 5-17-93, DRW J. GESFORD 5-17-93, APVD -

TE Connectivity

PRODUCT SPEC: 108-25034

APPLICATION SPEC: -

SIZE: A1, CAGE CODE: 00779, DRAWING NO: 103904

RESTRICTED TO: CUSTOMER DRAWING

SCALE: 4:1, SHEET: 1 OF 1, REV: S

单击下面可查看定价，库存，交付和生命周期等信息

[>>TE Connectivity\(泰科\)](#)