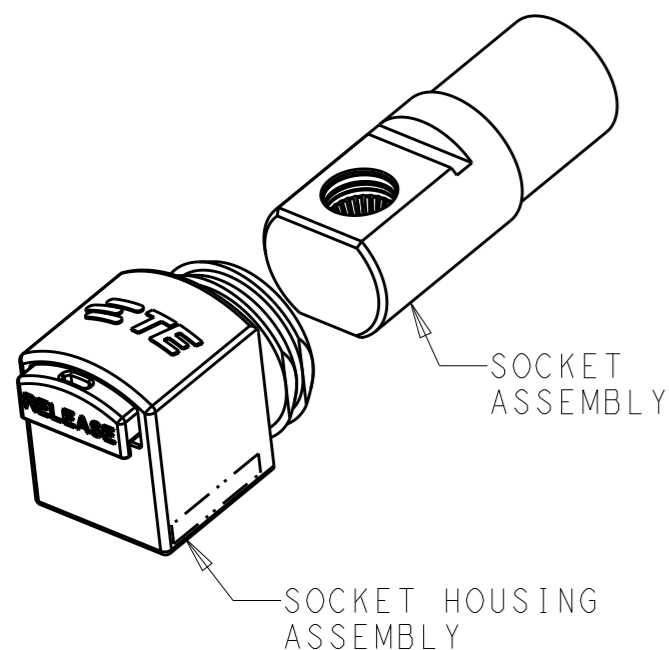


REVISIONS

P	LTR	DESCRIPTION	DATE	DWN	APVD
	C	REV PER ECO 17-001628	2-13-17	CT	PD

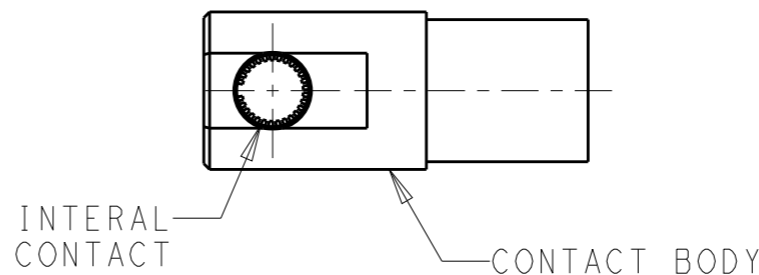
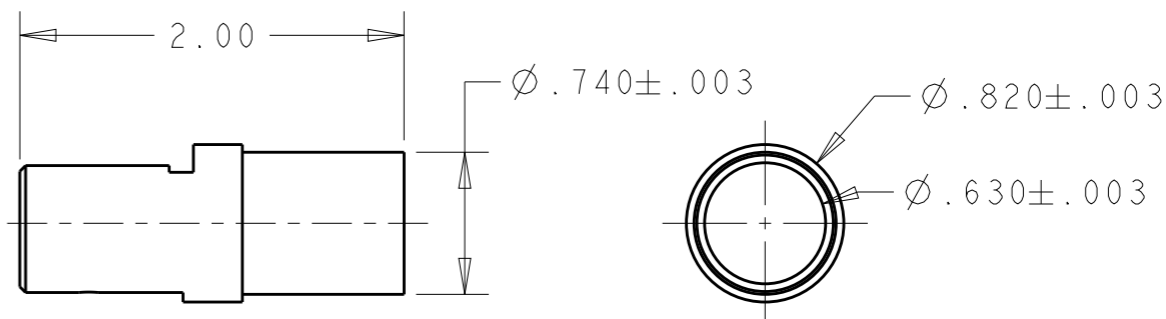
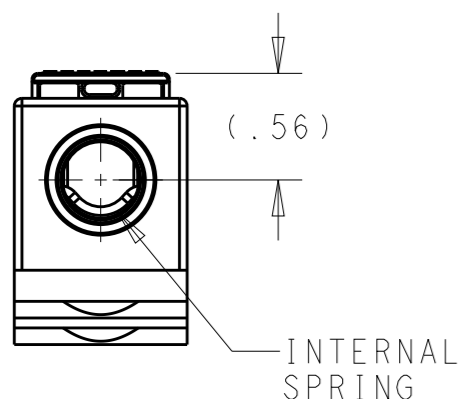
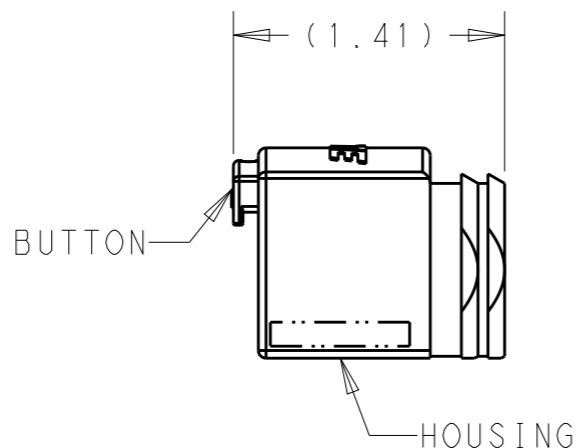
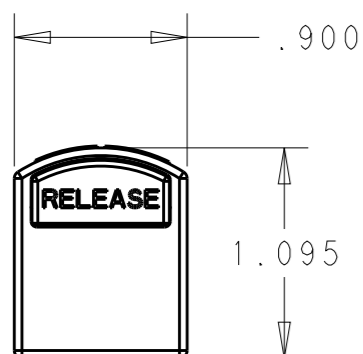


1 MATERIAL:
 HOUSING: THERMOPLASTIC, COLOR: PER TABLE
 BUTTON: THERMOPLASTIC, COLOR: BLACK
 INTERNAL CONTACT AND CONTACT BODY: COPPER ALLOY
 INTERNAL SPRING: STAINLESS STEEL

2 FINISH:
 INTERNAL CONTACT: SILVER OVER NICKEL
 CONTACT BODY: TIN OVER NICKEL

3 DO NOT ASSEMBLE SOCKET HOUSING ASSEMBLY ONTO SOCKET CONTACT ASSEMBLY UNTIL WIRE IS CRIMPED ONTO SOCKET CONTACT ASSEMBLY.

4. KIT WILL CONTAIN:
 1 SOCKET ASSEMBLY
 1 SOCKET HOUSING ASSEMBLY



BLACK	2828522-8
RED	2828522-7
BLUE	2828522-6
YELLOW	2828522-5
HOUSING COLOR	PART NUMBER

THIS DRAWING IS A CONTROLLED DOCUMENT.		DWN K. MILLER 24JUN2015		TE Connectivity	
DIMENSIONS: INCHES		CHK L. OH 24JUN2015			
TOLERANCES UNLESS OTHERWISE SPECIFIED:		APVD J. FULPONT 24JUN2015		NAME KIT, SNAP-LUG, 3/0	
0 PLC ±- 1 PLC ±- 2 PLC ±.01 3 PLC ±.005 4 PLC ±- ANGLES ±-		PRODUCT SPEC 108-32083		SIZE	
MATERIAL 1		FINISH 2		CAGE CODE A300779	
		APPLICATION SPEC 114-32130		DRAWING NO C-2828522	
		WEIGHT .158 lbs		RESTRICTED TO -	
		CUSTOMER DRAWING		SCALE 1:1 SHEET 1 OF 1 REV C	

单击下面可查看定价，库存，交付和生命周期等信息

[>>TE Connectivity\(泰科\)](#)