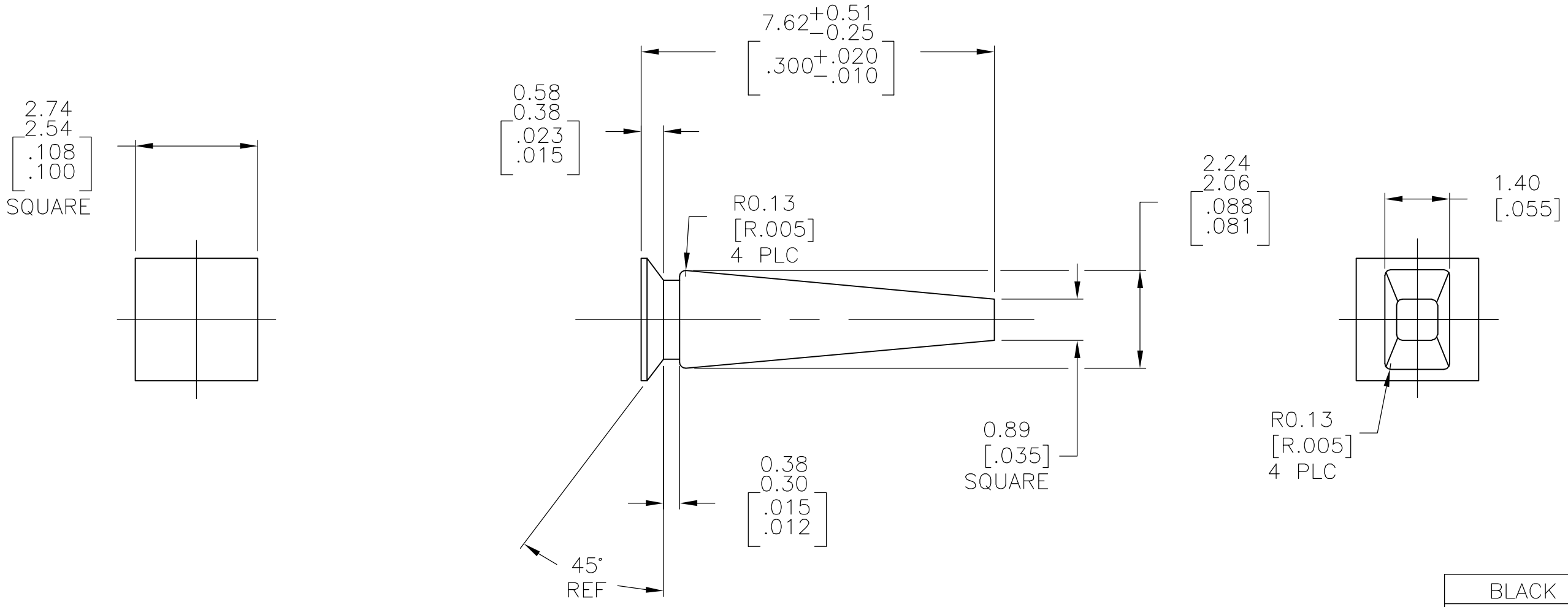


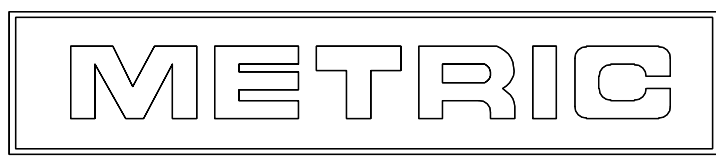
THIS DRAWING IS UNPUBLISHED. RELEASED FOR PUBLICATION  
 © COPYRIGHT - BY TYCO ELECTRONICS CORPORATION. ALL RIGHTS RESERVED.

LOC	DIST	REVISIONS			
P	LTR	DESCRIPTION	DATE	DWN	APVD
CM	54	F1	ECO-06-017889	07AUG06	BSV DB

1 MOLDING COMPOUND NYLON,6/6 .  
 2. DIMENSIONS IN BRACKETS ARE IN INCHES.



BLACK	640254-2
NATURAL	640254-1
COLOR	PART NO.



THIS DRAWING IS A CONTROLLED DOCUMENT.		DWN	10DEC91	 Tyco Electronics Corporation Harrisburg, Pa 17105-3608
DIMENSIONS: mm [INCHES]		CHK	10DEC91	
TOLERANCES UNLESS OTHERWISE SPECIFIED:		R	SWING	
0 PLC ± - 1 PLC ± - 2 PLC ± - 3 PLC ± 0.13 [.005] 4 PLC ± - ANGLES ± -		APVD	11DEC91	NAME
MATERIAL		PRODUCT SPEC		SL-156 KEYING PLUG, .045 SQ. POST CONNECTOR
FINISH		APPLICATION SPEC		SIZE
1		WEIGHT		A3
		CUSTOMER DRAWING		CAGE CODE
				00779
				DRAWING NO
				C-640254
				RESTRICTED TO
				-
				SCALE
				10:1
				SHEET
				1 OF 1
				REV
				F1

单击下面可查看定价，库存，交付和生命周期等信息

[>>TE Connectivity\(泰科\)](#)