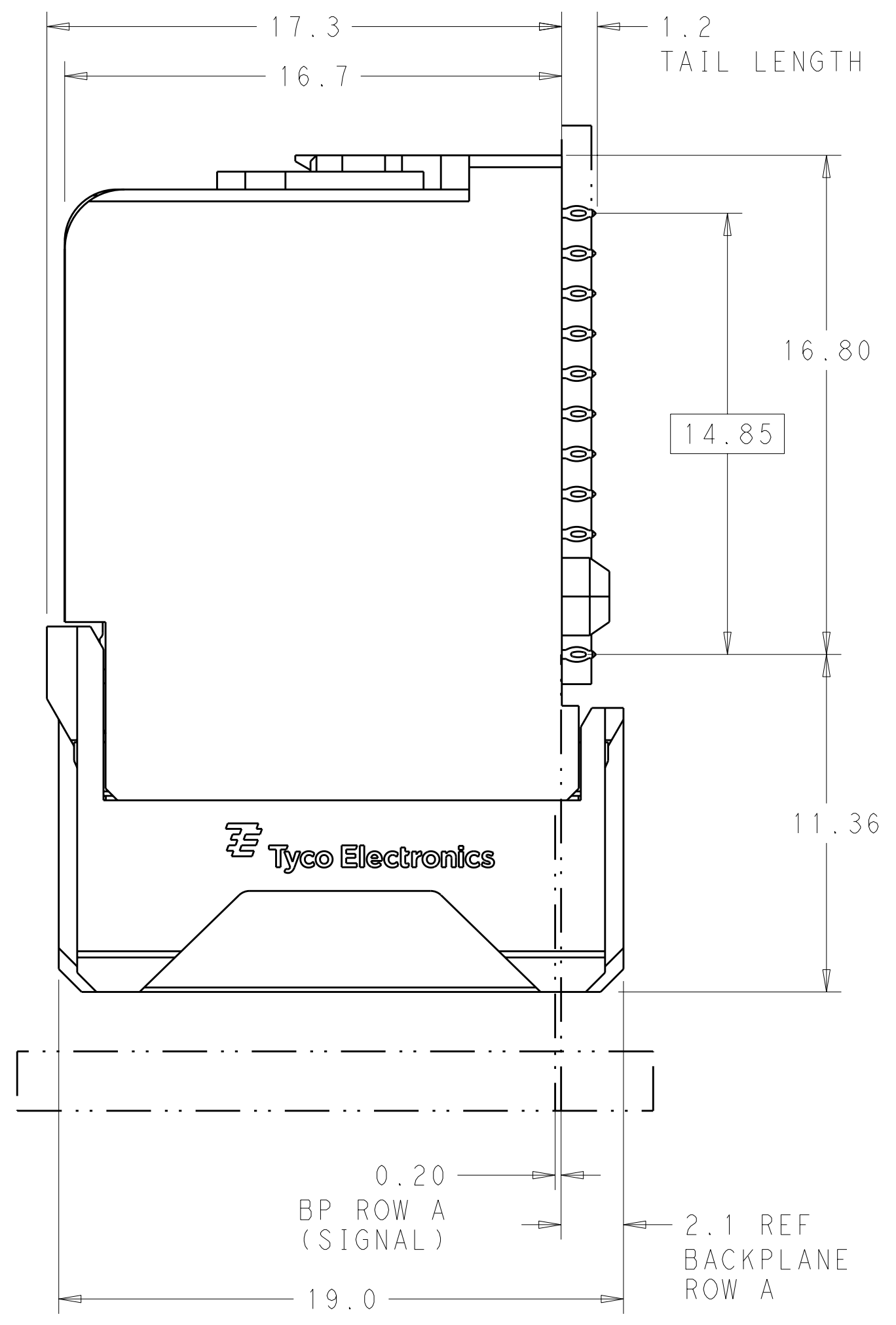
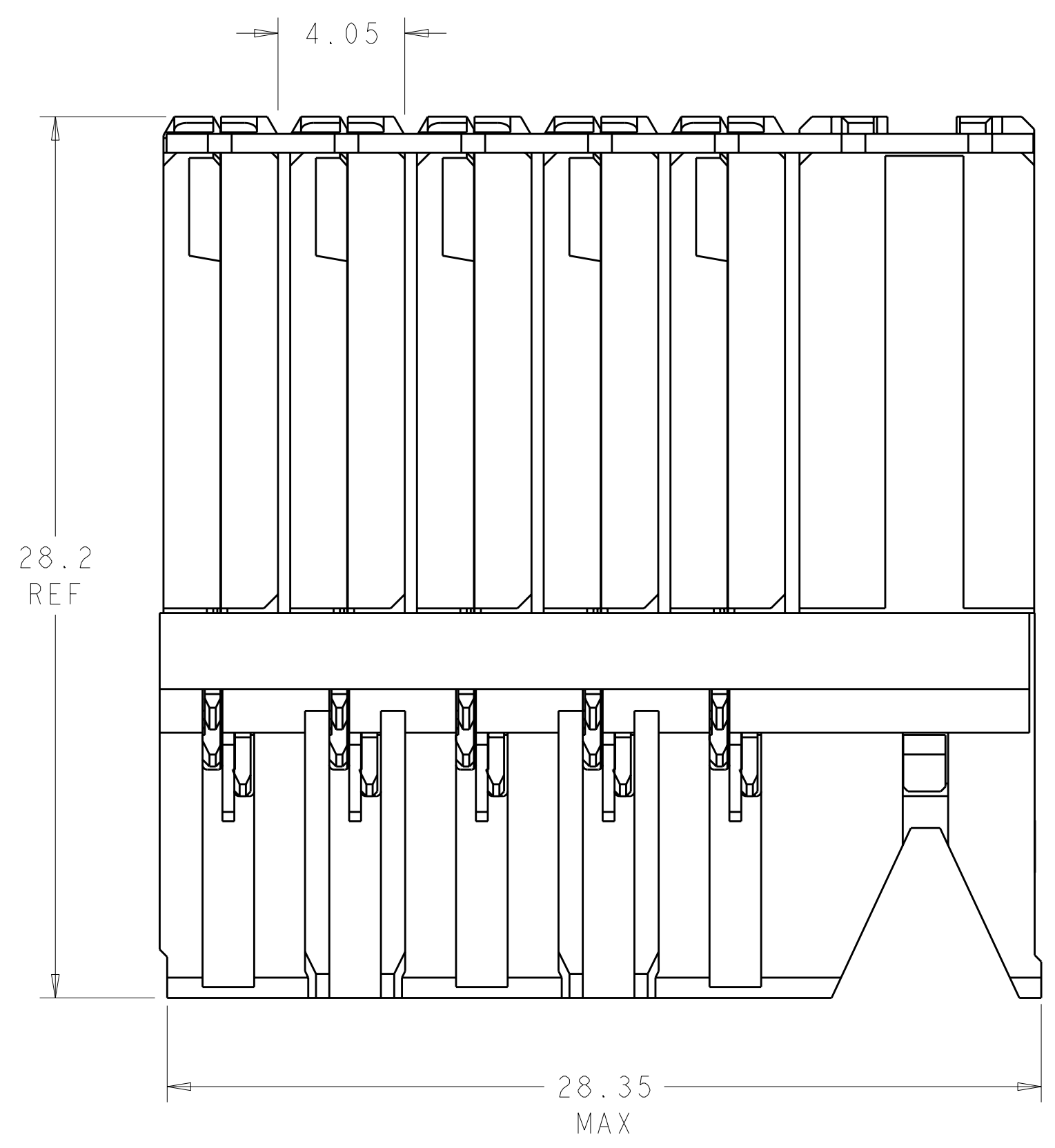
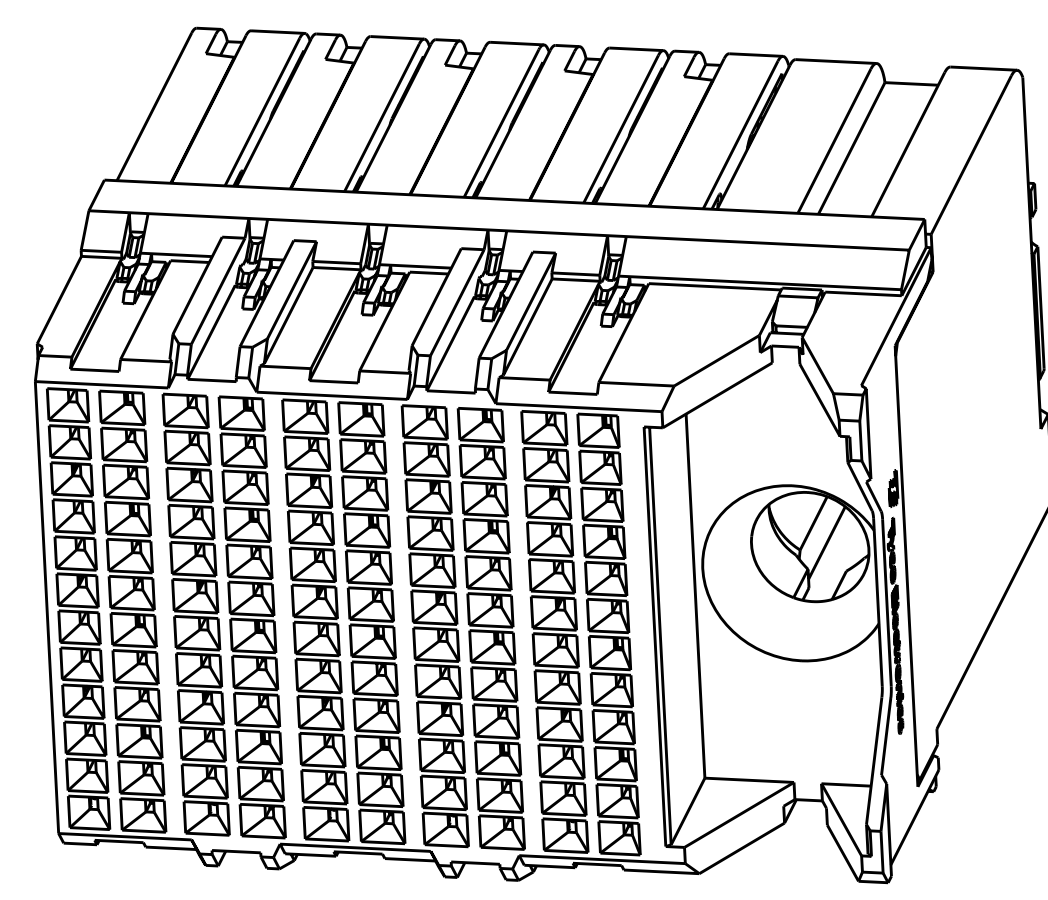


LOC	DIST	REV	DATE	BY	APPD
AD	00	B	18JAN2012	KH	DD
REVISIONS			DESCRIPTION	DATE	DWN
B			REVISED PER ECO-12-000423	18JAN2012	KH

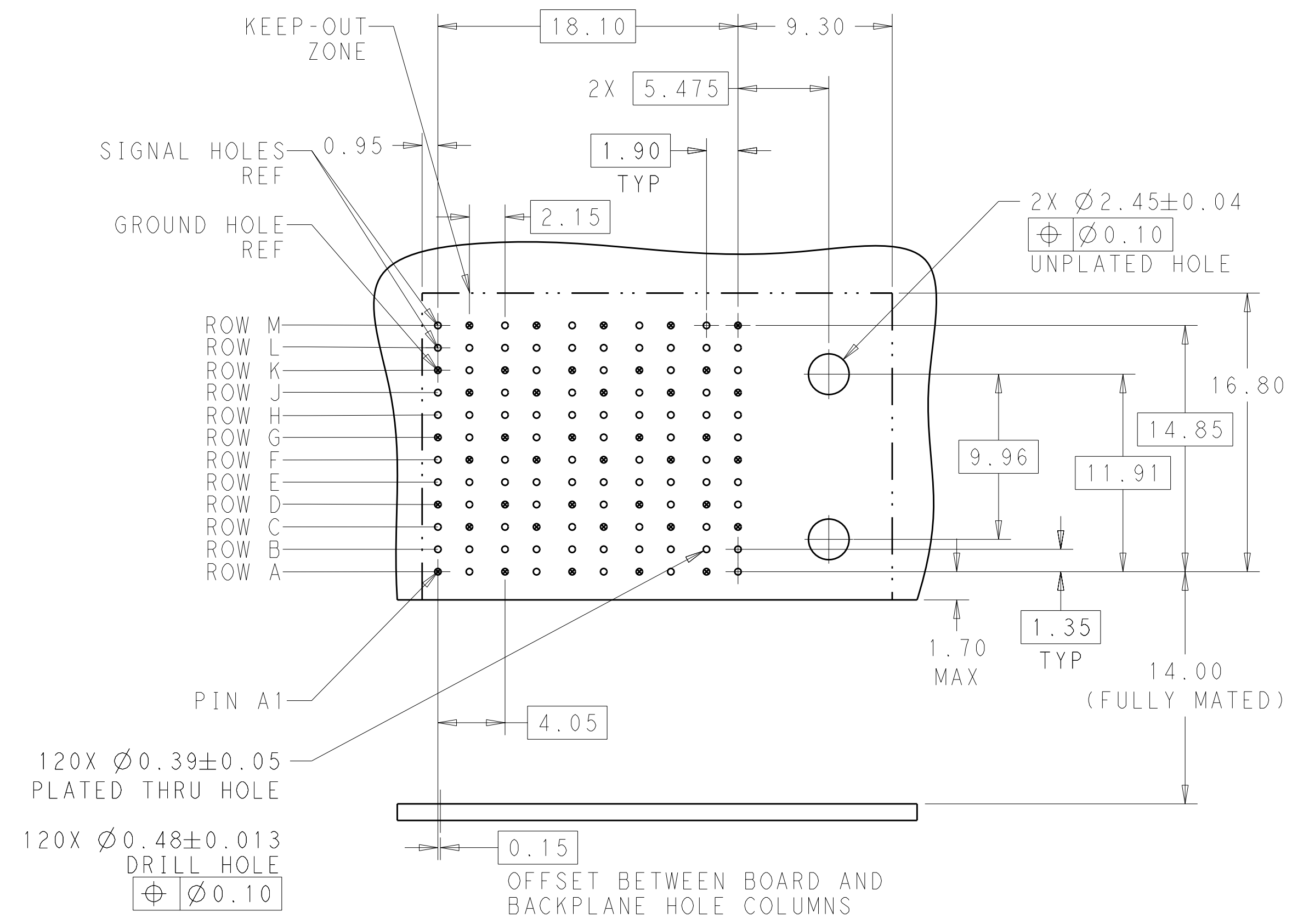
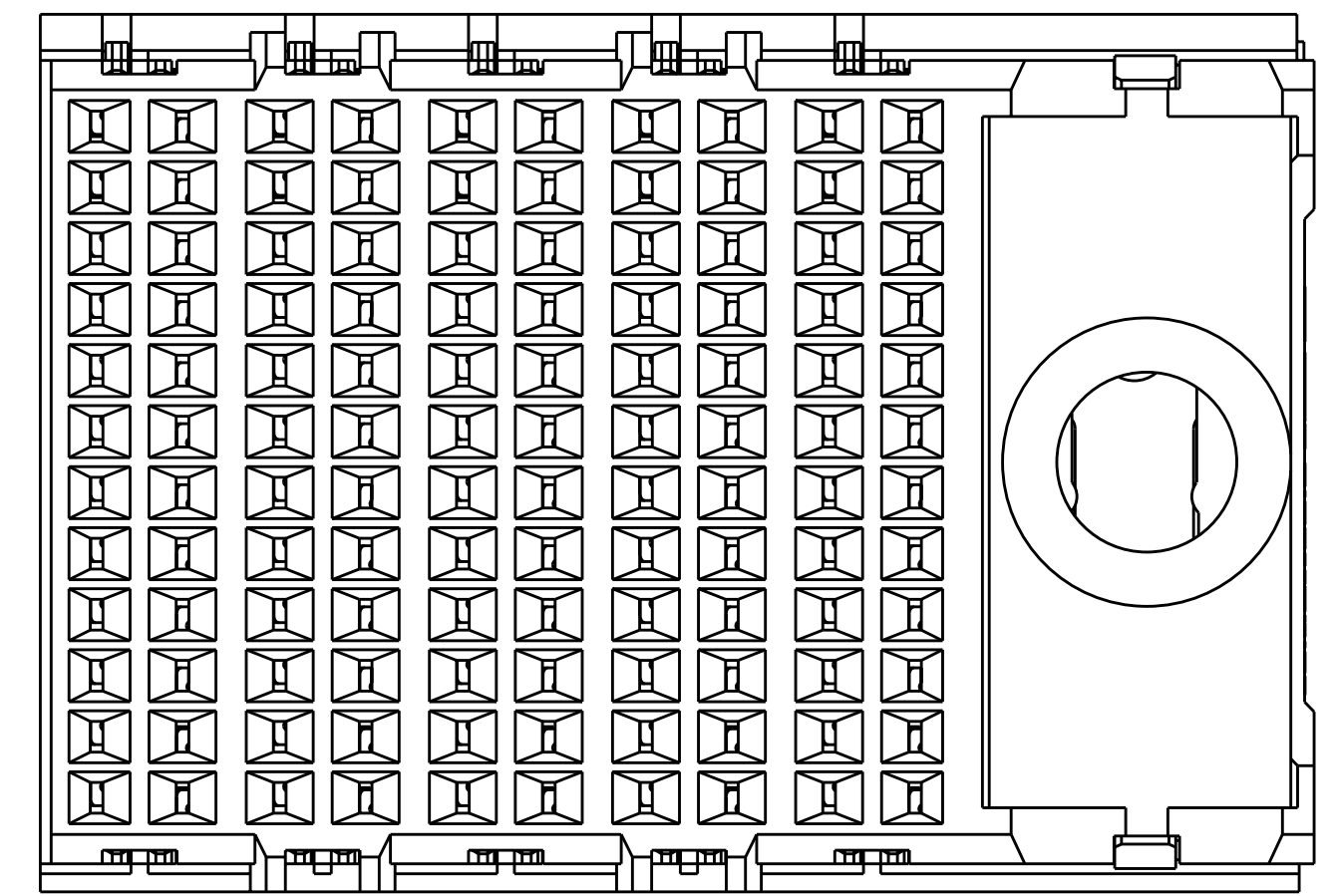


- 1 MATERIAL:  
HOUSING: LCP, GLASS FILLED, UL94V-0.  
TERMINALS: HIGH PERFORMANCE COPPER ALLOY.
- 2 FINISH:  
30µ" SELECTIVE GOLD IN CONTACT AREA. SELECTIVE TIN ON PCB TAILS, NICKEL OVERALL.
- 3 FINISH:  
30µ" SELECTIVE GOLD IN CONTACT AREA. SELECTIVE TIN-LEAD ON PCB TAILS, NICKEL OVERALL.
- 4. CONNECTORS SUPPLIED WITH MOUNTING SCREWS.



SCALE 4:1

REFER TO WWW.TE.COM FOR PRODUCT AVAILABILITY



120X Ø0.39±0.05 PLATED THRU HOLE  
120X Ø0.48±0.013 DRILL HOLE  
Ø0.10

RECOMMENDED PCB LAYOUT  
MIN BOARD THICKNESS 1.0

NONE	3	2132468-5
NONE	2	2132468-1
KEY POSITION	FINISH	PART NUMBER

THIS DRAWING IS A CONTROLLED DOCUMENT.		DWN 22JUN2011	
DIMENSIONS: mm		CHK D. DIXON 22JUN2011	
TOLERANCES UNLESS OTHERWISE SPECIFIED:		APPD D. DIXON 22JUN2011	NAME: IMPACT, ORTHOGONAL, 4 PAIR, DAUGHTERCARD, 10 COLUMN, RIGHT GUIDED, SIGNAL MODULE, 0.39 EYELET
9 PLC ± 1 PLC ±0.25 3 PLC ±0.15 5 PLC ± 4 PLC ± ANGLES ±		PRODUCT SPEC	
MATERIAL		APPLICATION SPEC	SIZE CAGE CODE DRAWING NO RESTRICTED TO
FINISH SEE TABLE		WEIGHT	A100779C=2132468
CUSTOMER DRAWING		SCALE 6:1	SHEET 1 OF 1 REV B

单击下面可查看定价，库存，交付和生命周期等信息

[>>TE Connectivity\(泰科\)](#)