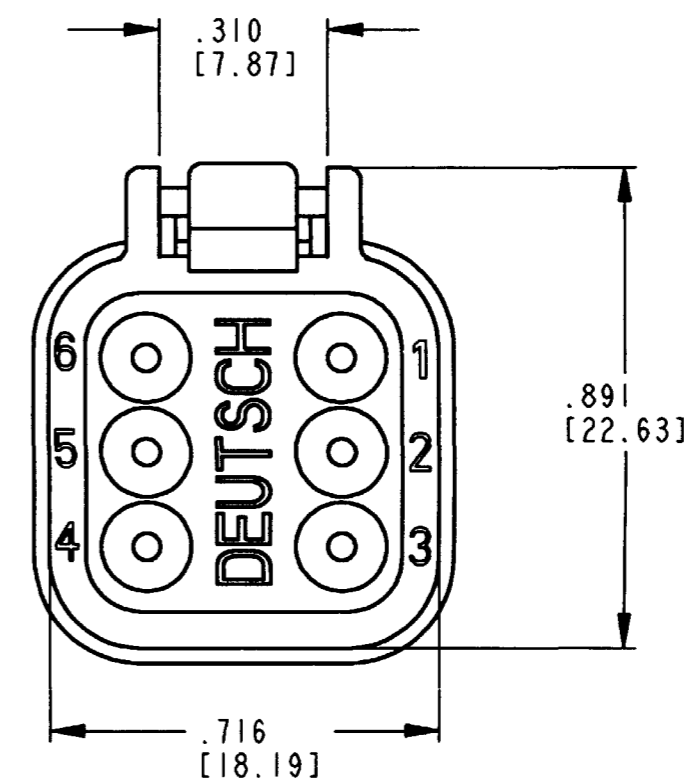


PLUG INSERTS INTO RECEPTACLE WITHIN THIS DISTANCE.



REV C DT06-6S

REVISIONS			
SYM	DESCRIPTION	DATE	APPROVED
NC	NEW RELEASE PER E.O. A09286	12/5/89	JA
A	REVISED PER E.O. A09335	9/6/90	JA
B	REVISED PER E.O. P15019	4/4/96	RDR
C	REVISED PER E.O. P16035	5-13-99	RDR

CONTACT SIZE	MIN. INSUL O.D.	MAX. INSUL O.D.	WIRE RANGE [mm <sup>2</sup> ]
16	.088 [2.23]	.145 [3.68]	14-20 AWG [2.0-0.5]

5. THIS PART MATES WITH THE DT04-6P-\*\*\*\* (\*\*\*\* = ALL MODIFICATIONS).
4. FOR MORE INFO. SEE DRAWING 0425-015-0000 AND 0425-017-0000.
3. CONSULT FACTORY FOR CONTACT SPECIFICATION AND APPLICATION.
2. ALL DIMENSIONS ARE ±.025 [0.63] UNLESS OTHERWISE SPECIFIED.

NOTES: 1. ALL DIMENSIONS ARE IN INCHES (MILLIMETERS).

SIGNATURE & DATE	
DR	D. SPENCER 29 JAN 99
CHK	<i>[Signature]</i> 5-7-99
PE	<i>[Signature]</i> 5-7-99
APPD	<i>[Signature]</i> 5-13-99
SCALE	3:1 WT

6 WAY PLUG  
DT SERIES  
  
ENVELOPE

CP	MATL. CODE
<b>The Deutsch Company</b> DEUTSCH I.P.D. 3850 INDUSTRIAL AVE. HEMET, CALIF. 92545	
<b>B</b>	<b>DT06-6S</b>
DWG SIZE	CODE 11139 SHEET   OF

单击下面可查看定价，库存，交付和生命周期等信息

[>>TE Connectivity\(泰科\)](#)