

4

3

2

1

THIS DRAWING IS UNPUBLISHED.

RELEASED FOR PUBLICATION

© COPYRIGHT

BY TYCO ELECTRONICS CORPORATION. ALL RIGHTS RESERVED.

LOC
ES 00DIST
P LTR

REVISIONS

DESCRIPTION	DATE	DWN	APVD
REVISED FB00-0217-04	16DEC04	H.H	I.E

⑥ PLUG ASSEMBLY

② COVER "B"

③ WIRE CLAMP

⑤ M3X10 SCREW
④ M2.6X6 SCREW

NOTES: THIS IS LEAD-FREE P/N.

① COVER "A" (KEY "A")

C	B	A	QTY	MATERIAL & FINISH	DESCRIPTION	PART NUMBER	ITEM	KEY TYPE	PART NUMBER
33.1	—	—	1	THERMOPLASTIC, UL94V-0 COLOR: GRAY	PLUG ASSEMBLY, 22P	2-292245-2	⑥		
—	—	—	1	STEEL, ZINC PLATED	TAPTITE SCREW, P-TITE M3X10	292264-1	⑤		
—	—	—	2	STEEL, ZINC PLATED	TAPTITE SCREW, P-TITE M2.6X6	292263-1	④	A	2-292249-2
—	—	—	1	STEEL, ZINC PLATED	WIRE CLAMP	292265-1	③		
—	—	36.5	1	THERMOPLASTIC, UL94-HB COLOR: GRAY	COVER "B", 22P	2-1318656-2	②		
—	5.55	36.5	1	THERMOPLASTIC, UL94-HB COLOR: GRAY	COVER "A", 22P, KEY "A"	2-1318655-2	①		

DIMENSIONS		TOLERANCES UNLESS OTHERWISE SPECIFIED		COMPONENTS		ITEM		KEY TYPE		PART NUMBER	
0 PLC	±	1 PLC	±	DWN	J.JIANG	05FEB03					
2 PLC	±	3 PLC	±	CHK	S.YAO	05FEB03					
4 PLC	±	ANGLES	±	APVD	T.SASAKI	05FEB03					
MATERIAL	SEE TABLE	FINISH	SEE TABLE	PRODUCT SPEC	108-60028						
				APPLICATION SPEC	114-5256						
				WEIGHT							
				CUSTOMER DRAWING							

tyco Tyco Electronics Corporation
Electronics Shanghai, P.R.China, 200233

NAME
CABLE CLAMP KIT, HIGH WALL TYPE
FOR AMP 1.5mm PITCH MINI CT
HYBRID LATTICE CONNECTOR

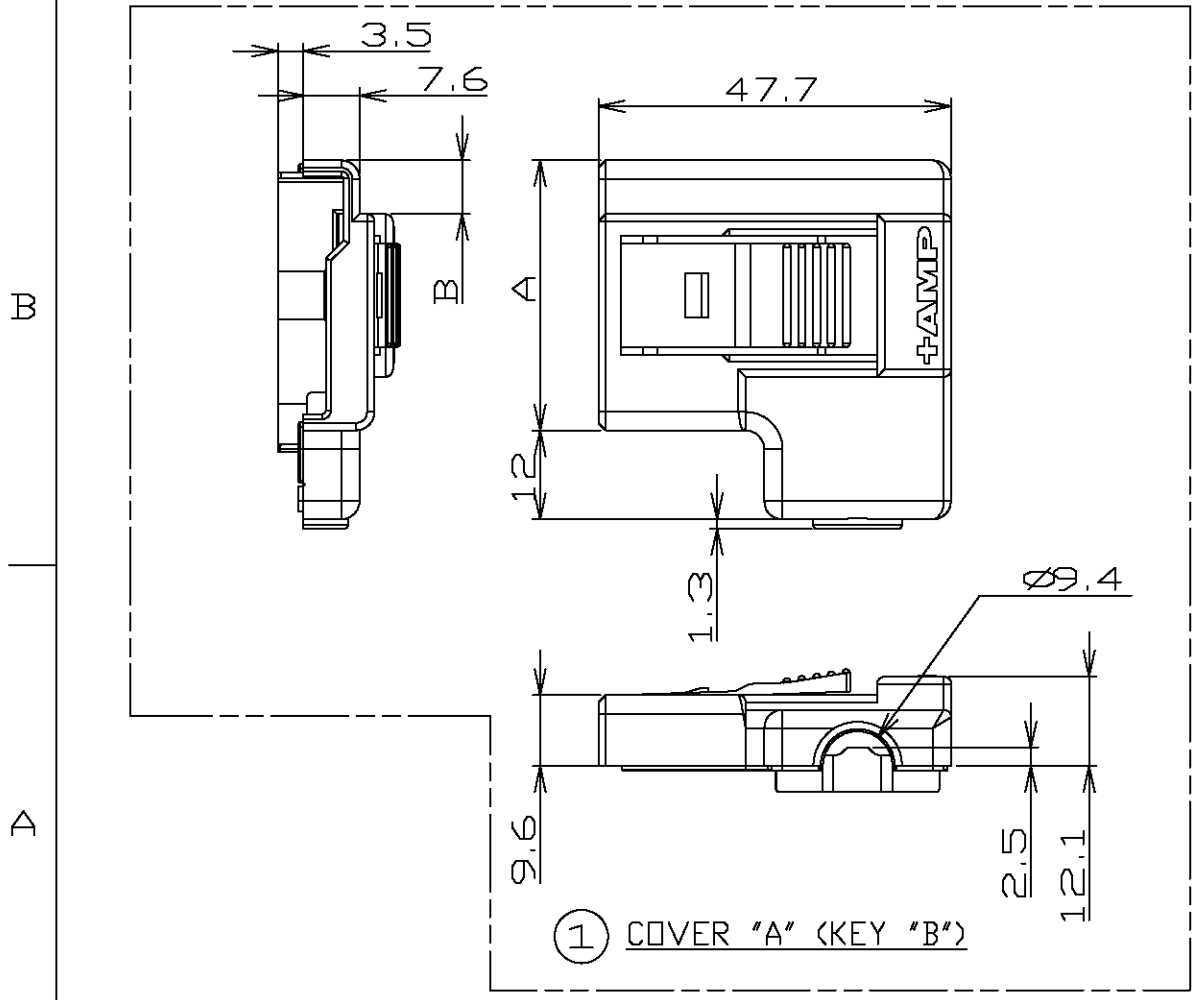
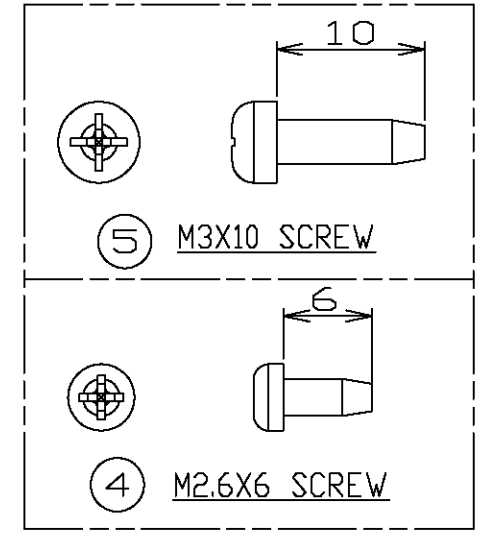
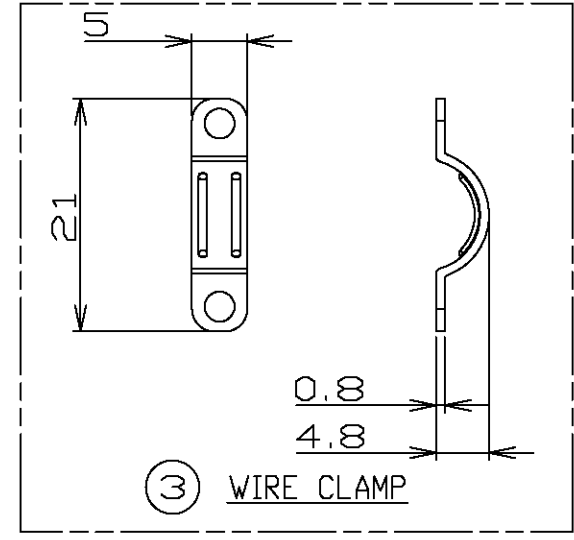
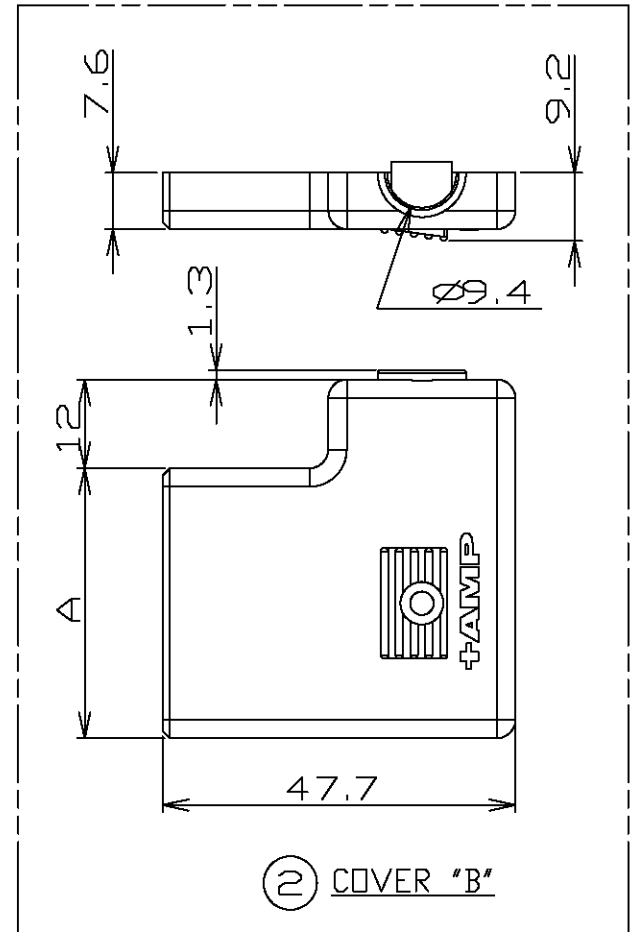
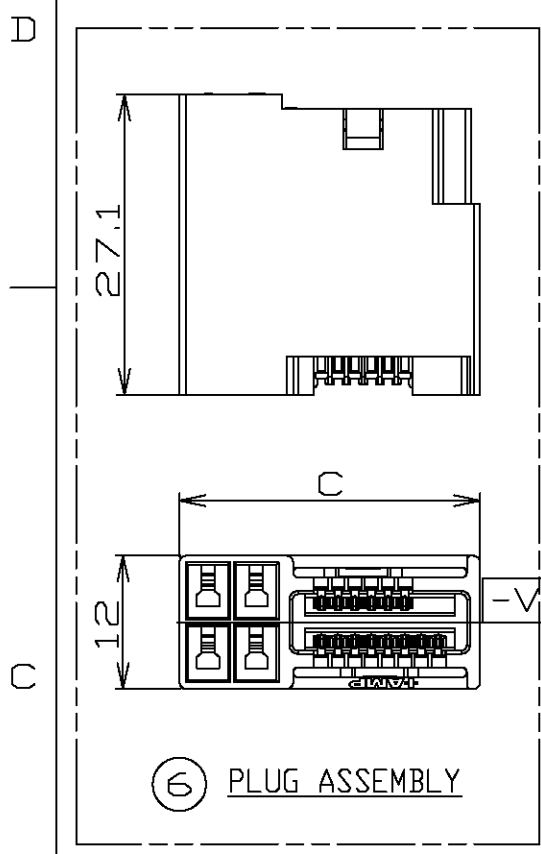
SIZE	CAGE CODE	DRAWING NO	RESTRICTED TO
A3	00779	C= 292249	

AMP 1470-19 REV 31MAR2000

Downloaded From Oneyac.com

THIS DRAWING IS UNPUBLISHED. RELEASED FOR PUBLICATION
 © COPYRIGHT BY TYCO ELECTRONICS CORPORATION. ALL RIGHTS RESERVED.

LOC	DIST	REVISIONS		
ES	00	P	LTR	DESCRIPTION
				DATE
				DWN
				APVD
		SEE SHEET 1		



QTY	MATERIAL & FINISH	DESCRIPTION	PART NUMBER	ITEM	KEY TYPE	PART NUMBER			
33.1	THERMOPLASTIC, UL94V-0 COLOR: GRAY	PLUG ASSEMBLY, 22P	2-292245-2	⑥	B	4-292249-2			
—	STEEL, ZINC PLATED	TAPTITE SCREW, P-TITE M3X10	292264-1	⑤					
—	STEEL, ZINC PLATED	TAPTITE SCREW, P-TITE M2.6X6	292263-1	④					
—	STEEL, ZINC PLATED	WIRE CLAMP	292265-1	③					
—	THERMOPLASTIC, UL94-HB COLOR: GRAY	COVER "B", 22P	2-1318656-2	②					
—	THERMOPLASTIC, UL94-HB COLOR: GRAY	COVER "A", 22P, KEY "B"	4-1318655-2	①					
C	B	A	QTY	MATERIAL & FINISH	DESCRIPTION	PART NUMBER	ITEM	KEY TYPE	PART NUMBER

DIMENSIONS: mm 		TOLERANCES UNLESS OTHERWISE SPECIFIED: 0 PLC ± 1 PLC ± 2 PLC ± 3 PLC ± 4 PLC ± ANGLES ±		DWN CHK APVD PRODUCT SPEC APPLICATION SPEC WEIGHT CUSTOMER DRAWING		tyco Electronics Tyco Electronics Corporation Shanghai, P.R.China, 200233 NAME CABLE CLAMP KIT, HIGH WALL TYPE FOR AMP 1.5mm PITCH MINI CT HYBRID LATTICE CONNECTOR		SIZE A3		CAGE CODE 00779		DRAWING NO C- 292249		RESTRICTED TO	
SEE TABLE		SEE TABLE		SCALE: NON		SHEET: 2 OF 3		REV: A							

4

3

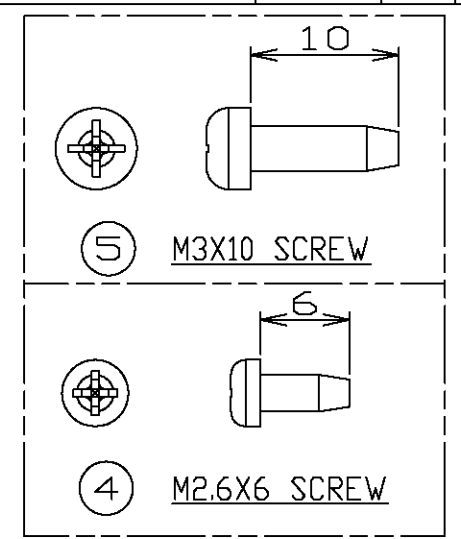
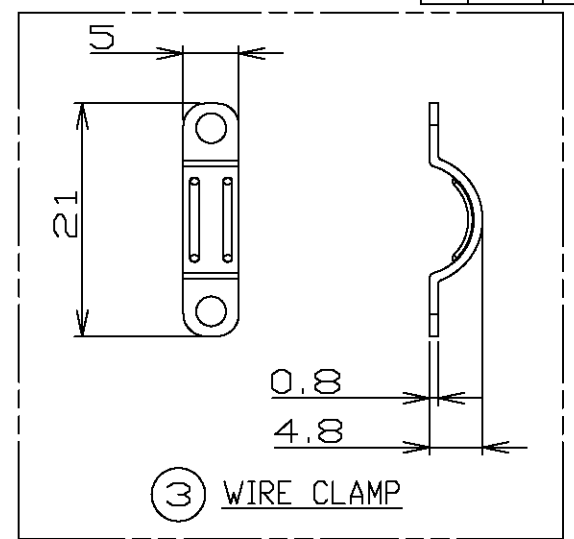
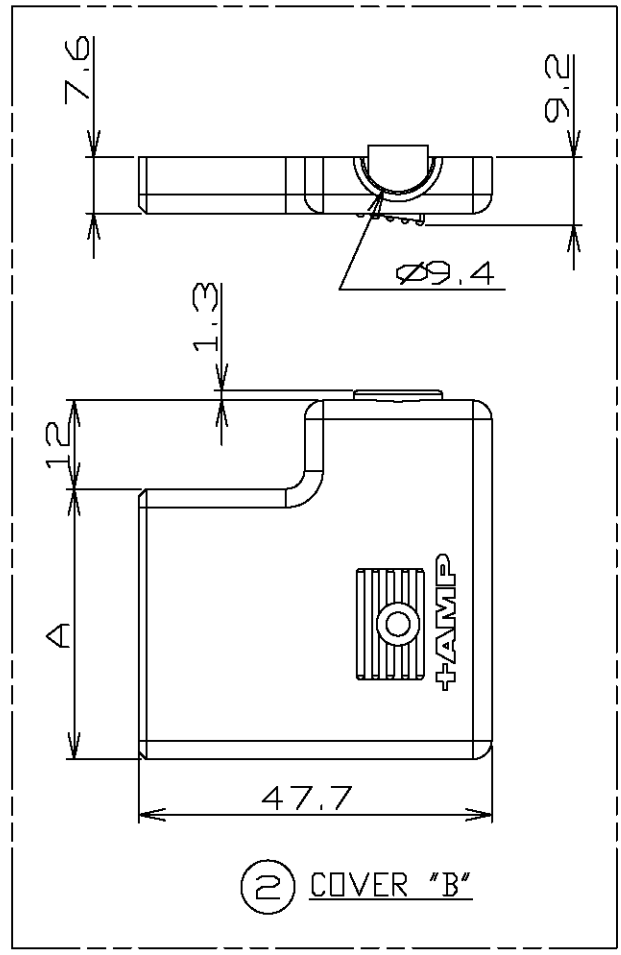
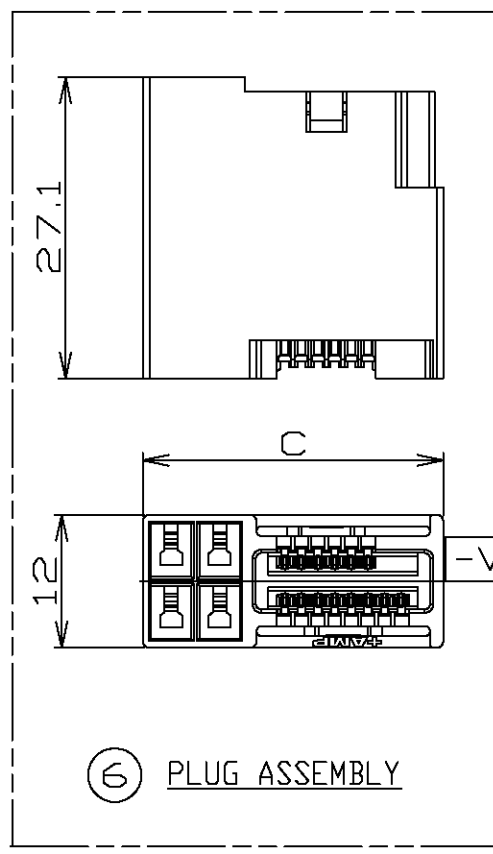
2

1

THIS DRAWING IS UNPUBLISHED. RELEASED FOR PUBLICATION
© COPYRIGHT BY TYCO ELECTRONICS CORPORATION. ALL RIGHTS RESERVED.

LOC	DIST	REVISIONS					
ES	00	P	LTR	DESCRIPTION	DATE	DWN	APVD
		-	-	SEE SHEET 1	-	-	-

D



D

C

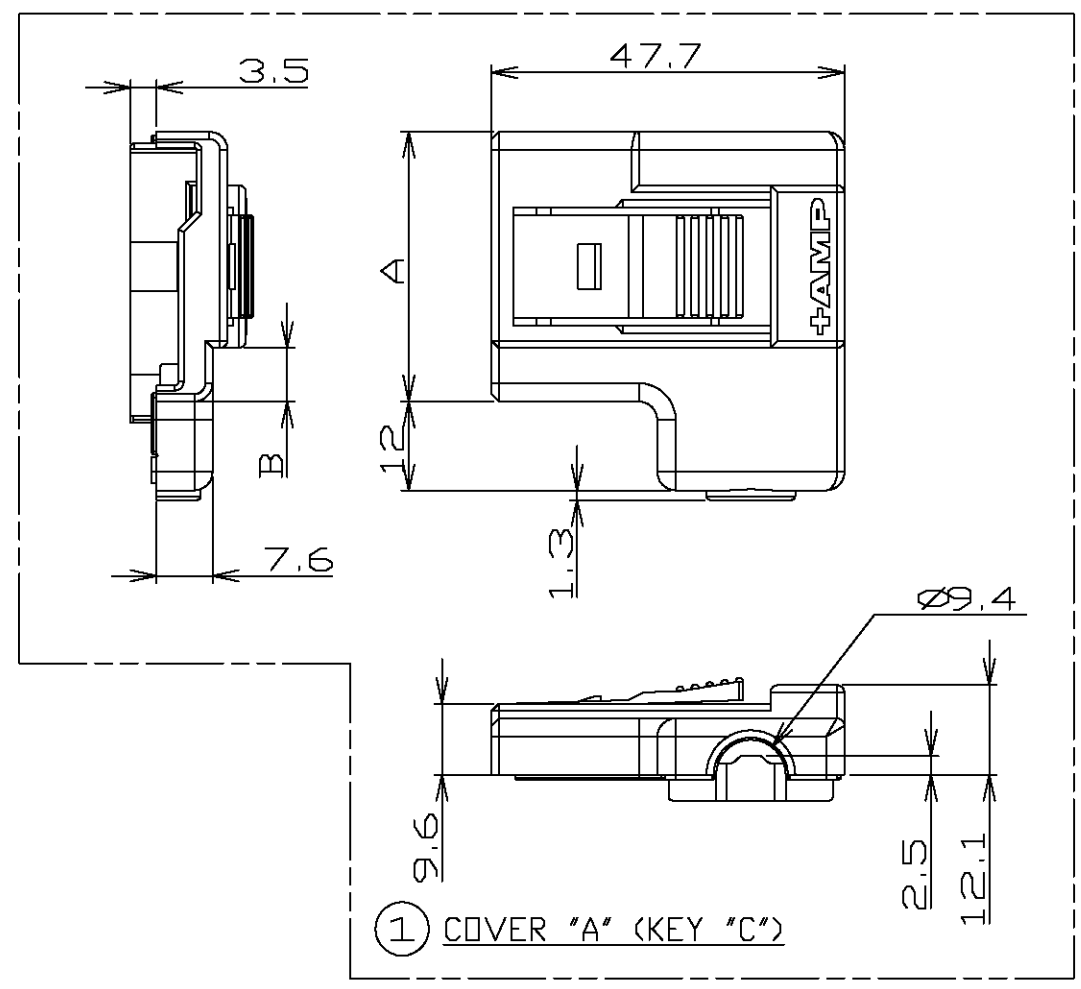
C

B

B

A

A



C	B	A	QTY	MATERIAL & FINISH	DESCRIPTION	PART NUMBER	ITEM	KEY TYPE	PART NUMBER
33.1	—	—	1	THERMOPLASTIC, UL94V-0 COLOR: GRAY	PLUG ASSEMBLY, 22P	2-292245-2	⑥		
—	—	—	1	STEEL, ZINC PLATED	TAPTITE SCREW, P-TITE M3X10	292264-1	⑤		
—	—	—	2	STEEL, ZINC PLATED	TAPTITE SCREW, P-TITE M2.6X6	292263-1	④	C	6-292249-2
—	—	—	1	STEEL, ZINC PLATED	WIRE CLAMP	292265-1	③		
—	—	36.5	1	THERMOPLASTIC, UL94-HB COLOR: GRAY	COVER "B", 22P	2-1318656-2	②		
—	7.25	36.5	1	THERMOPLASTIC, UL94-HB COLOR: GRAY	COVER "A", 22P, KEY "C"	6-1318655-2	①		

<small>THIS DRAWING IS A CONTROLLED DOCUMENT FOR TYCO ELECTRONICS CORPORATION IT IS SUBJECT TO CHANGE AND THE CONTROLLING ENGINEERING ORGANIZATION SHOULD BE CONTACTED FOR THE LATEST REVISION.</small>		DWN CHK APVD PRODUCT SPEC APPLICATION SPEC WEIGHT CUSTOMER DRAWING		tyco Electronics Tyco Electronics Corporation Shanghai, P.R.China, 200233	
DIMENSIONS: mm 		TOLERANCES UNLESS OTHERWISE SPECIFIED: 0 PLC ± 1 PLC ± 2 PLC ± 3 PLC ± 4 PLC ± ANGLES ±		NAME CABLE CLAMP KIT, HIGH WALL TYPE FOR AMP 1.5mm PITCH MINI CT HYBRID LATTICE CONNECTOR	
MATERIAL SEE TABLE		FINISH SEE TABLE		SIZE CAGE CODE DRAWING NO A3 00779 C- 292249	
				RESTRICTED TO	
				SCALE: NON SHEET 3 OF 3 REV A	

单击下面可查看定价，库存，交付和生命周期等信息

[>>TE Connectivity\(泰科\)](#)