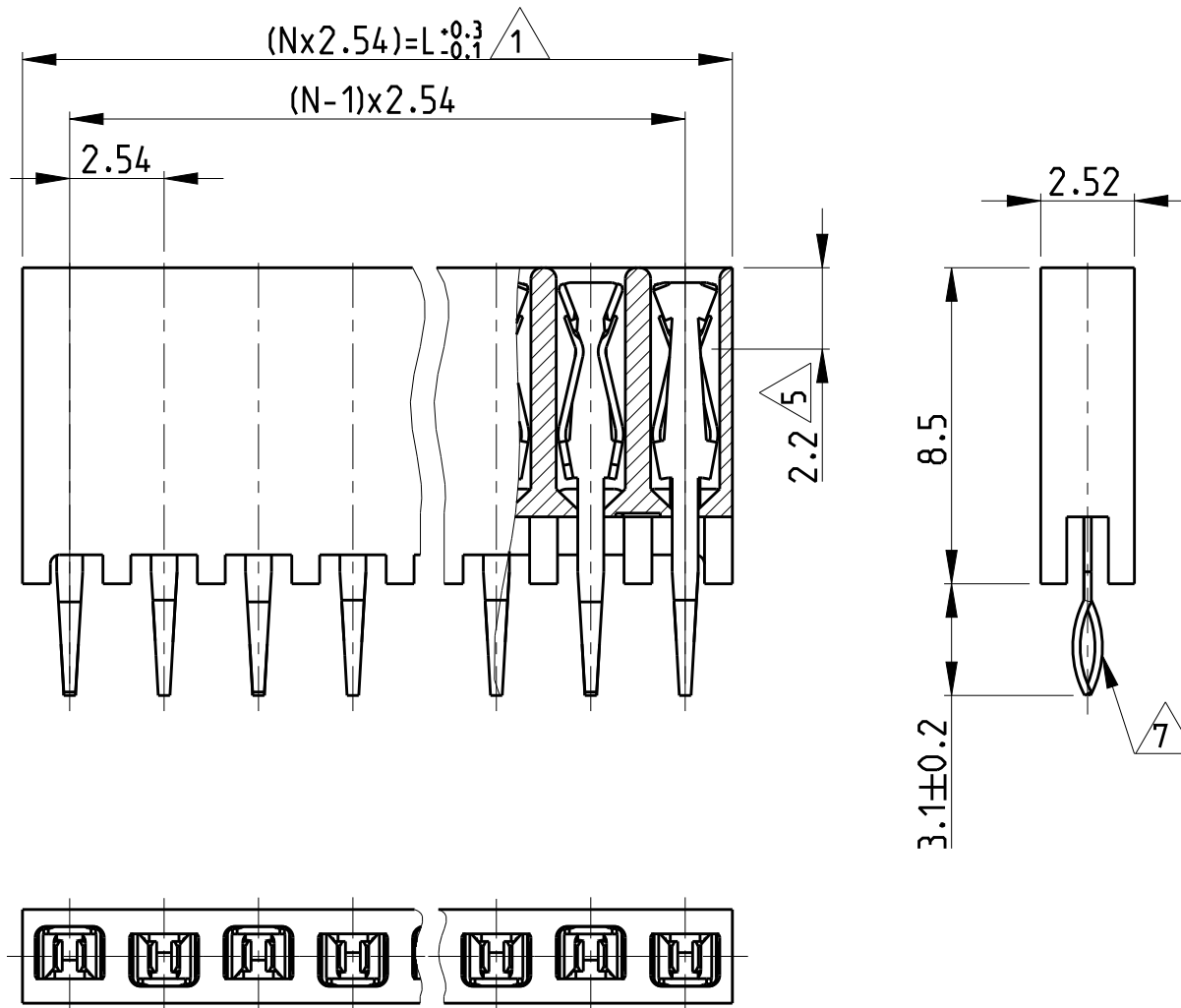


© 2019 TE Connectivity. All Rights Reserved.

REVISIONS

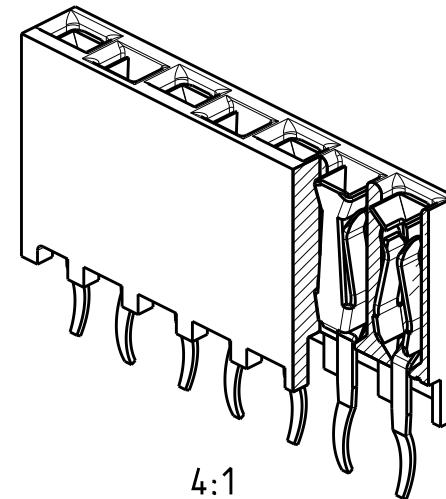
P	LTR	DESCRIPTION	DATE	DWN	APVD
	F	PLASTIC MATERIAL SUPPLIER CHANGE	20MAR2019	SS	PS

POS.	L	PART-NO.	ASSEMBLY
2	5.08	215299	-2
3	7.62		-3
4	10.16		-4
5	12.70		-5
6	15.24		-6
7	17.78		-7 OBSOLETE
8	20.32		-8
9	22.86		-9 OBSOLETE
10	25.40	1-	-0
11	27.94	1-	-1 OBSOLETE
12	30.48	1-	-2
13	33.02	1-	-3 OBSOLETE
14	35.56	1-	-4
15	38.10	1-	-5 OBSOLETE
16	40.64	1-	-6
17	43.18	1-	-7 OBSOLETE
18	45.72	1-	-8
19	48.26	1-	-9 OBSOLETE
20	50.80	2-	-0
21	53.34	2-	-1
22	55.88	2-	-2
23	58.42	2-	-3
24	60.96	2-	-4 OBSOLETE
25	63.50	2-	-5 OBSOLETE
26	66.04	2-	-6 OBSOLETE
27	68.58	2-	-7
28	71.12	2-	-8
29	73.66	2-	-9
30	76.2	3-	-0 OBSOLETE
31	78.74	3-	-1 OBSOLETE
32	81.28	3-	-2
33	83.82	3-	-3
34	86.36	3-	-4
35	88.90	3-	-5
36	91.44	3- 215299	-6 OBSOLETE

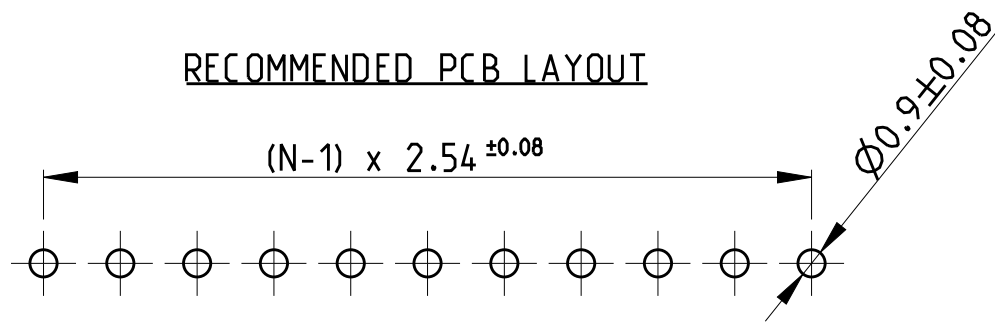


NOTES:

- 1 TO DETERMINE DIMENSIONS TAKE N = NR. OF POS.
FOR EXAMPLE: 10 POS; N x 2.54 = 25.4mm
FOR ORDER NO: USE BASIC - NR. + NR. OF POS.
FOR EXAMPLE: 2POS. = 215299-2 (SHORTEST VERSION)
36POS. = 3-215299-6 (LONGEST VERSION)
- 2 HOUSING MATERIAL: PBT GREEN GLASS FILLED, UL 94V-0
CONTACT MATERIAL: PHOSPHOR BRONZE
- 3 PLATING: UNDERCOATING: 1.3µm Ni
AT CONT. PLACE: 0.8µm Au
AT SOLDER-TYNES: 3.0µm-5.0µm Sn
- 4 MATES WITH 0.63 SQUARE/ROUND MODU POSTS
- 5 CONTACT POINT
- 6 RECOMMENDED PCB BOARD THICKNESS: 1.6mm
- 7 PC-BOARD RETENTION FEATURE
- 8 HV100 CONNECTOR PACKED IN ANTI-STATIC BLISTER TRAY



RECOMMENDED PCB LAYOUT



THIS DRAWING IS A CONTROLLED DOCUMENT.		DWN L.V.D.HEYDEN 09 JUL 1986				
DIMENSIONS: mm		CHK W.SIMONS				
TOLERANCES UNLESS OTHERWISE SPECIFIED: ±0.15		APVD L.V.SOEST	NAME HV100; VERTICAL; 8.5mm TOP ENTRY: SINGLE ROW; GOLD			
0 PLC ±		PRODUCT SPEC 108-19056	SIZE A3	CAGE CODE 00779	DRAWING NO C-215299	RESTRICTED TO
1 PLC ±		APPLICATION SPEC -	SCALE 5:1		SHEET 1 OF 1	REV F
2 PLC ±		WEIGHT -	CUSTOMER DRAWING			
3 PLC ±						
4 PLC ±						
ANGLES ±						
MATERIAL 2		FINISH 3				

单击下面可查看定价，库存，交付和生命周期等信息

[>>TE Connectivity\(泰科\)](#)