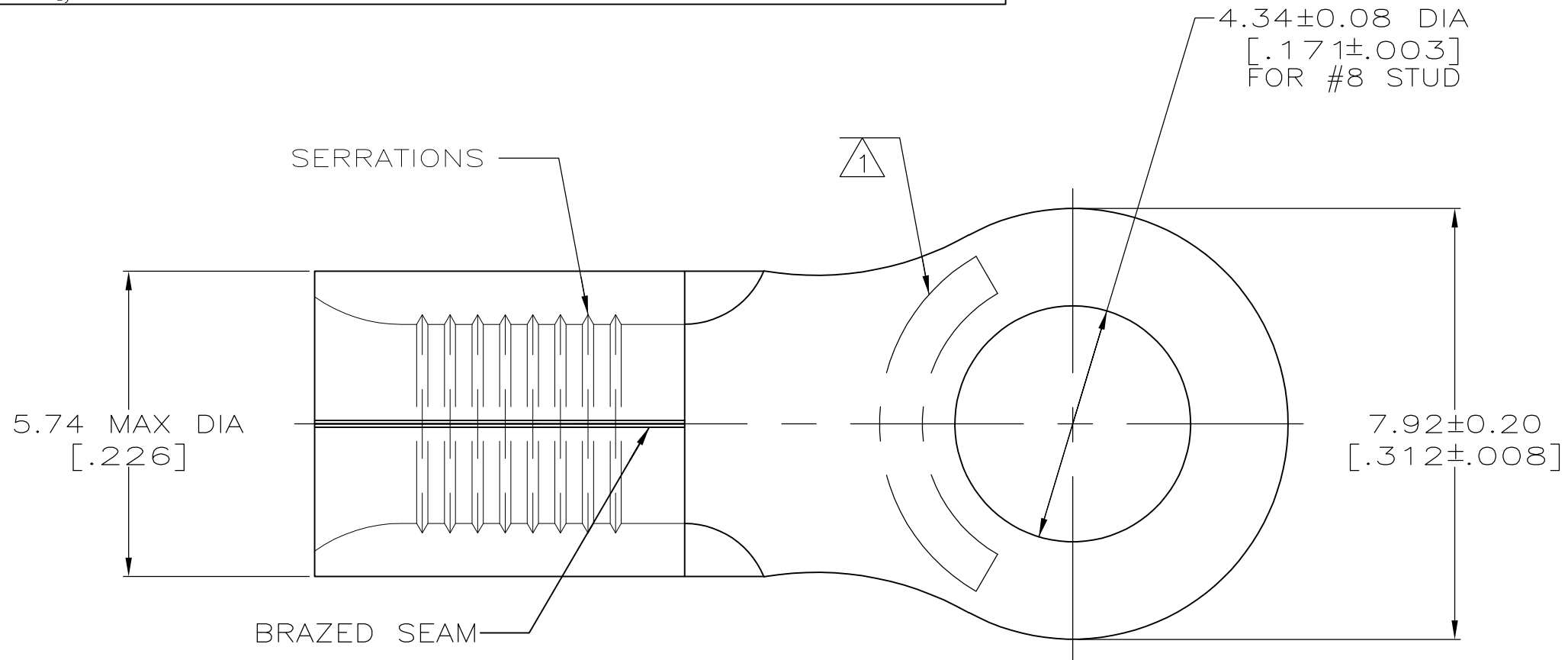
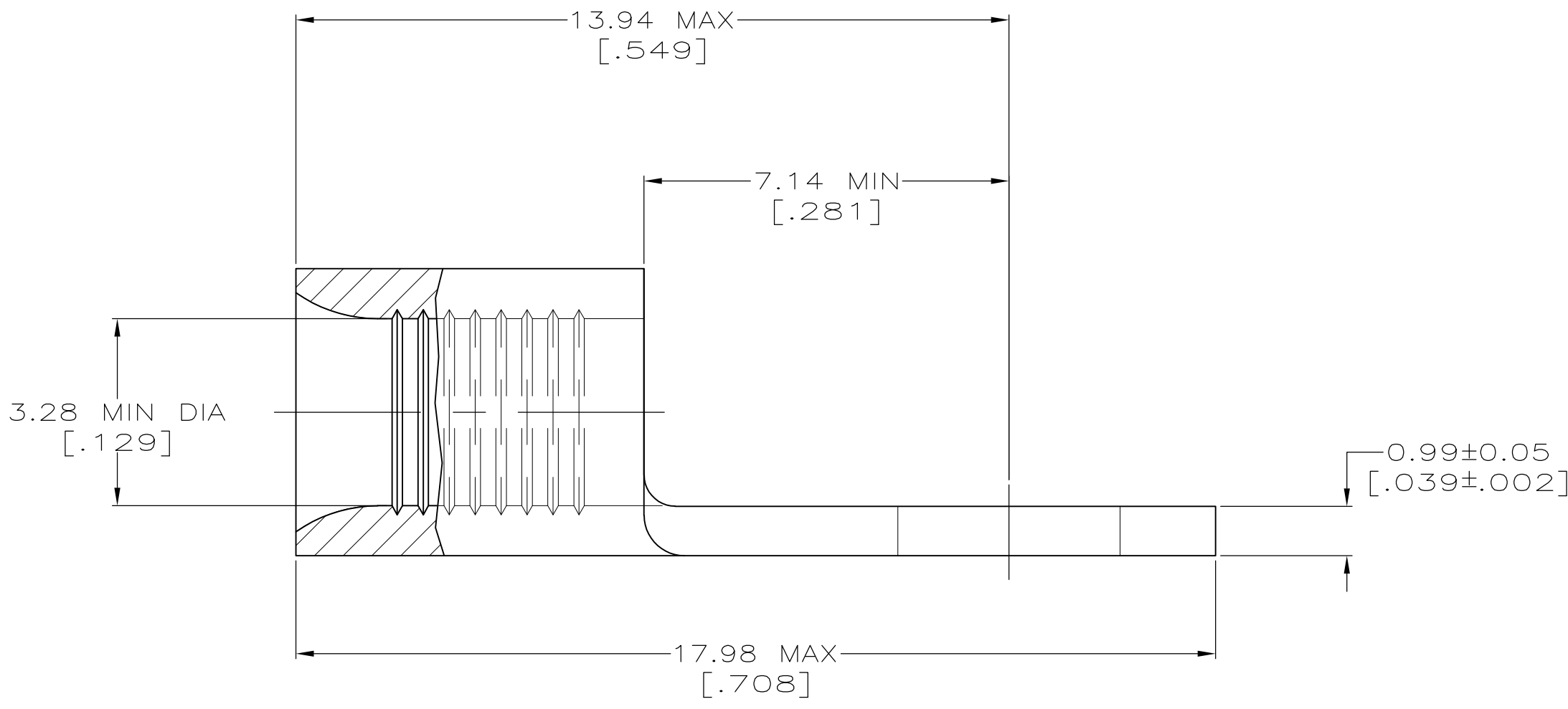


THIS DRAWING IS UNPUBLISHED. RELEASED FOR PUBLICATION
 © COPYRIGHT - By - ALL RIGHTS RESERVED.

LOC	DIST	REVISIONS			JR/MS		
G	14	P	LTR	DESCRIPTION	DATE	OWN	APVD
		F1		REVISED PER ECO-11-004820	11MAR11	RK	HMR



AMP WIRE RANGE	Listed FILE E13288	LR7189 Certified
12-10 AWG SOLID OR STRANDED	12-10 AWG STRANDED	12-10 AWG SOLID OR STRANDED



- ① STAMP AMP 12-10* APPROX AS SHOWN
- ② PRELIMINARY - NOT FOR PRODUCTION
- ③ 0.00254 [.000100] MIN TIN PLATE PER ASTM B-545
- ④ CLEANED, UNPLATED
- ⑤ 0.00254 [.000100] MIN TIN-LEAD (93-7) PLATE PER ASTM B-545 (3% MIN LEAD CONTENT)
- ⑥ COPPER PER ASTM B-152, ANNEALED

⑤	500	LOOSE PIECE	322454-3
④	-	LOOSE PIECE	② 322454-2
③	50	LOOSE PIECE, BOX	8-322454-2
③	2500	ON TAPE, REEL	322454-1
③	----	LOOSE PIECE	322454
FINISH	QTY	PACKAGE TYPE	PART NO.

MAX RECOMMENDED OPERATING TEMPERATURE: 170°C MAX	THIS DRAWING IS A CONTROLLED DOCUMENT.		DWN TA BRINKMAN 3-17-93	TE Connectivity
	VOLTAGE RATING: N/A	DIMENSIONS: MM [INCHES]	CHK DA PATTERSON 3-17-93	
CIRCULAR MIL AREA: 2.62-6.64mm² [5,180-13,100] SOLID OR STRANDED		TOLERANCES UNLESS OTHERWISE SPECIFIED: 0 PLC ± - 1 PLC ± - 2 PLC ± - 3 PLC ± - 4 PLC ± - ANGLES ± ± -	APVD JL MECKLEY 3-17-93	PRODUCT SPEC
			MATERIAL ⑥	FINISH SEE TABLE
			WEIGHT -	RESTRICTED TO -
			CUSTOMER DRAWING	SCALE 10:1 SHEET 1 OF 1 REV F1

单击下面可查看定价，库存，交付和生命周期等信息

[>>TE Connectivity\(泰科\)](#)