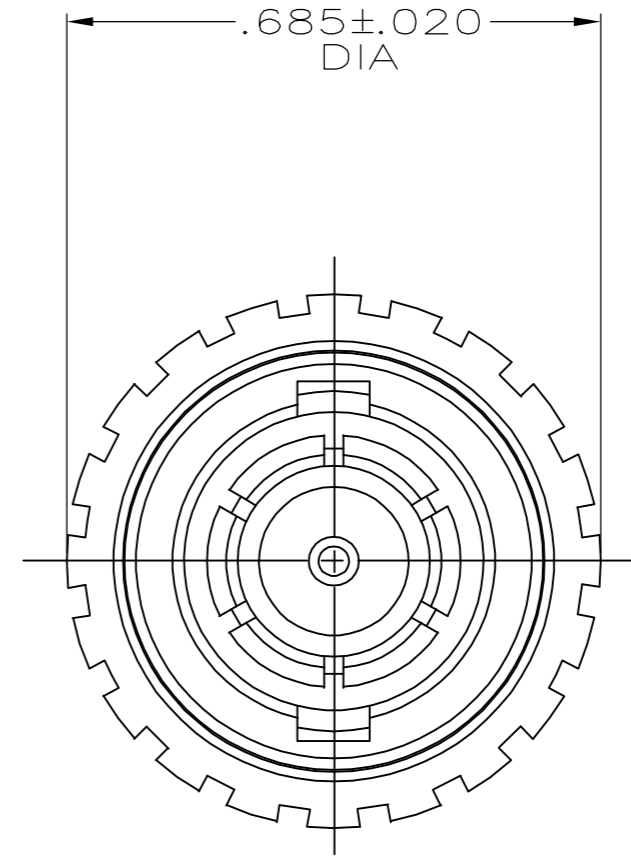
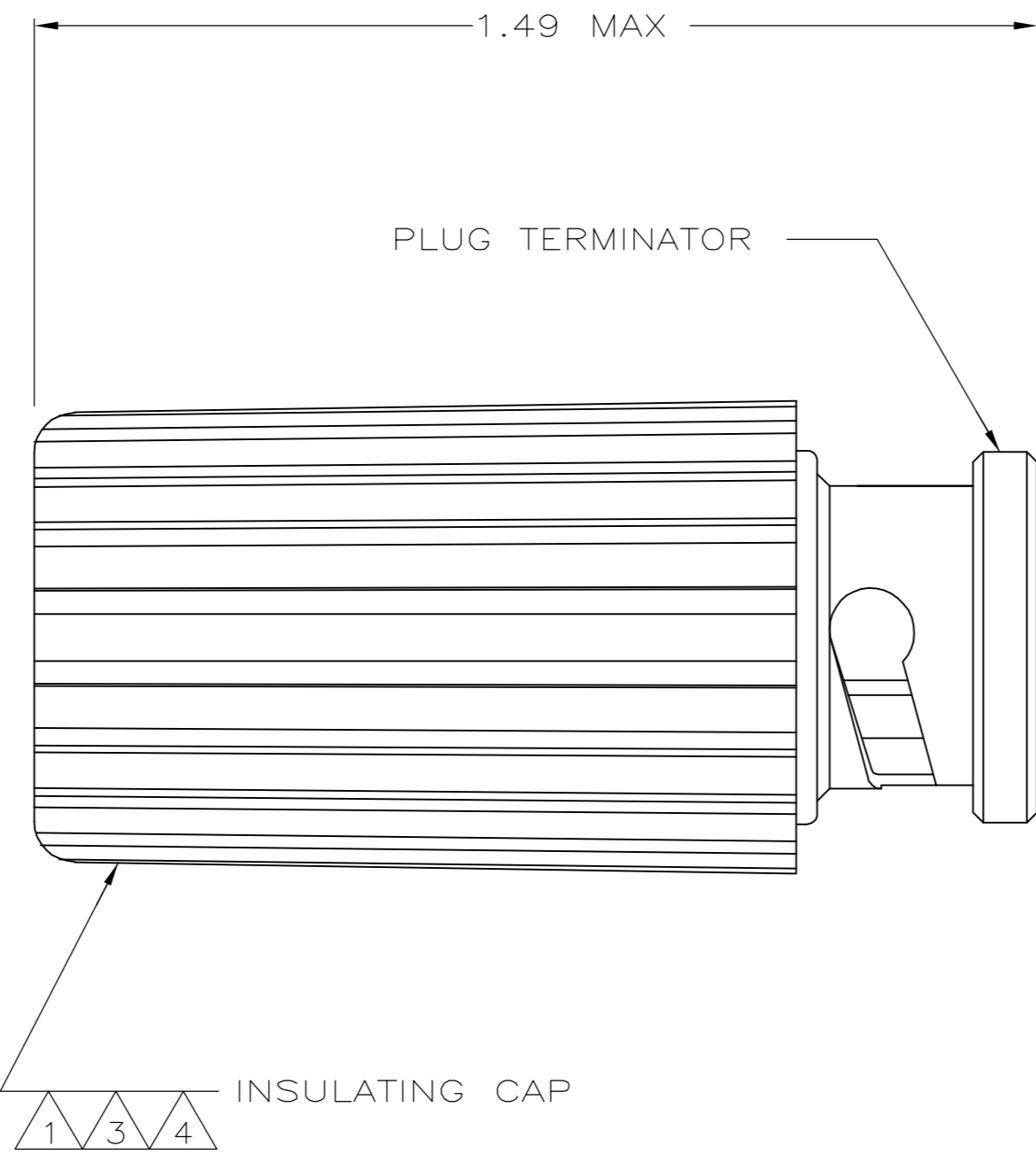
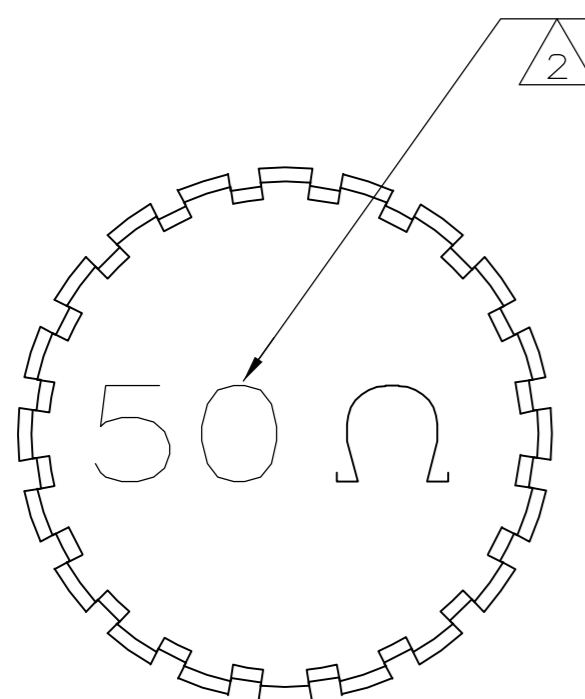


THIS DRAWING IS UNPUBLISHED. RELEASED FOR PUBLICATION
 © COPYRIGHT BY TYCO ELECTRONICS CORPORATION. ALL RIGHTS RESERVED.

LOC	DIST	REVISIONS			
P	LTR	DESCRIPTION	DATE	DWN	APVD
D	AJ	16			
	D	REV PER EC 0514-0453-04	17OCT05	CJL	GM



- ① POLYPHENYLENE OXIDE
 - ② RESISTOR VALUE IS MOLDED ON INSULATING CAP
 - ③ COLOR, BLACK
 - ④ COLOR, GRAY
 - ⑤ SAME AS 413364-1 EXCEPT PACKAGED 5 PER BOX
6. RESISTOR SPECIFICATIONS:
- A. 1 WATT
 - B. 1% TOLERANCE
 - C. 50 OHM

⑤	③	413364-3
④		413364-2
③		413364-1
OBSOLETE		PART NUMBER

THIS DRAWING IS A CONTROLLED DOCUMENT.		DWN	J.L.GROFT	8-2-94	Tyco Electronics Corporation Harrisburg, PA 17105-3608
DIMENSIONS: INCHES		CHK	R.J.KOBLER	8-2-94	
TOLERANCES UNLESS OTHERWISE SPECIFIED:		APVD	J.L.GROFT	8-3-94	
0 PLC ± - 1 PLC ± - 2 PLC ± - 3 PLC ± - 4 PLC ± - ANGLES ± - FINISH		PRODUCT SPEC	NAME		
MATERIAL - ①		WEIGHT -		TERMINATOR, PLUG, INSULATED, 50 OHM, COMMERCIAL BNC	
③-④		CUSTOMER DRAWING		SCALE 4:1	RESTRICTED TO
				SIZE A2	CAGE CODE 00779
				DRAWING NO C=413364	REV D
				SHEET 1 of 1	

单击下面可查看定价，库存，交付和生命周期等信息

[>>TE Connectivity\(泰科\)](#)