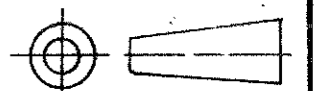


| REVISIONS |               |           |     |      |
|-----------|---------------|-----------|-----|------|
| LTR       | DESCRIPTION   | DATE      | DWN | APRD |
| E         | ECR-06-012362 | 23-05-06  | BM  | JB   |
| F         | ECO-13-002459 | 04MAR2014 | AP  | RP   |

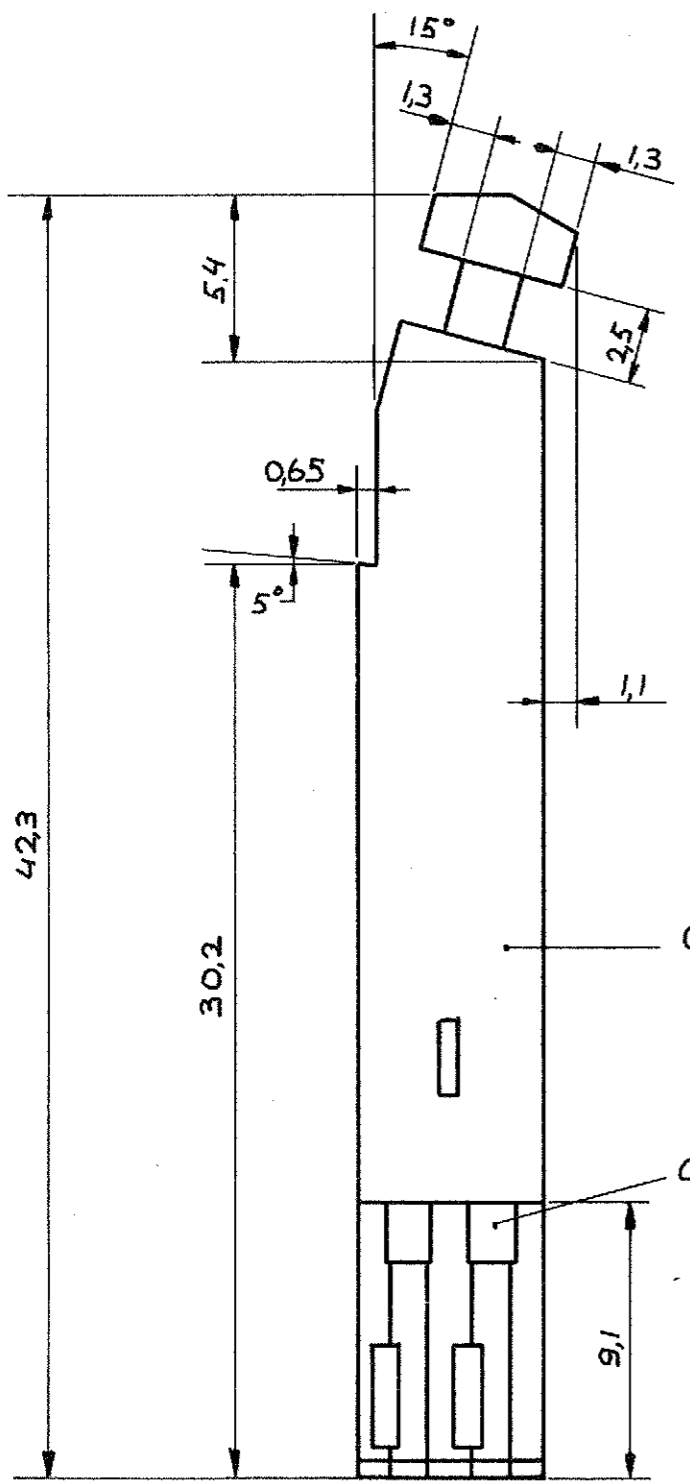
**DO NOT SCALE**

**METRIC**

THIRD ANGLE PROJECTION

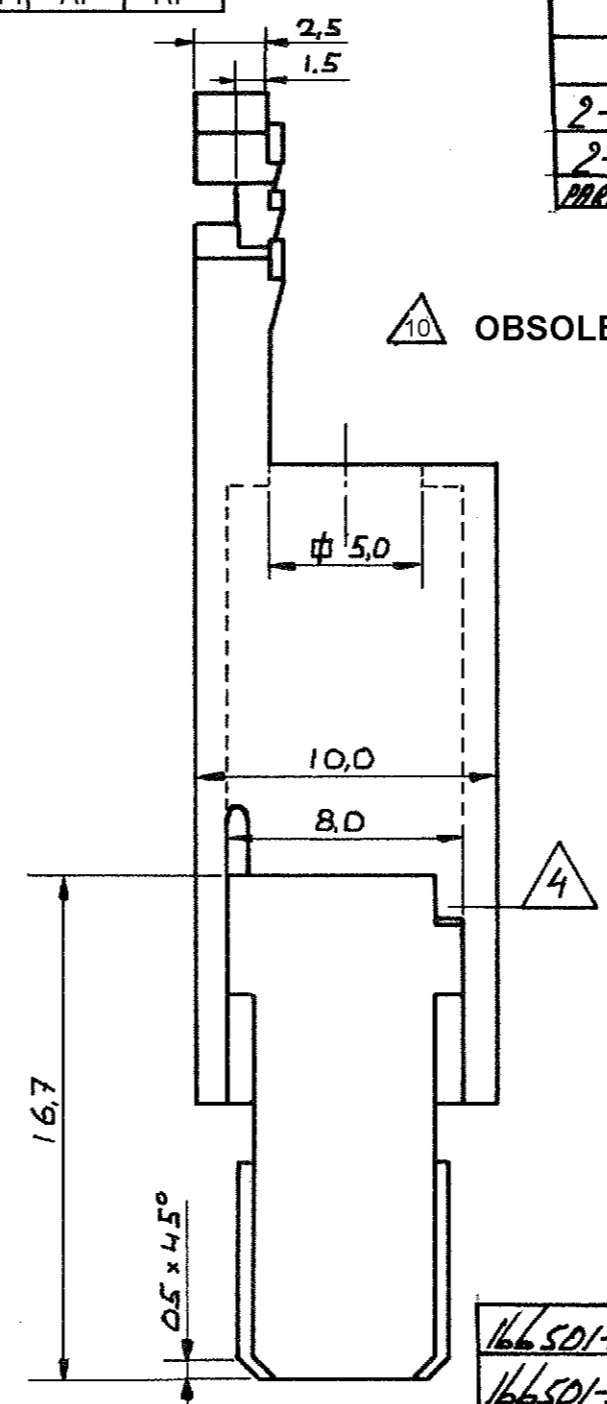
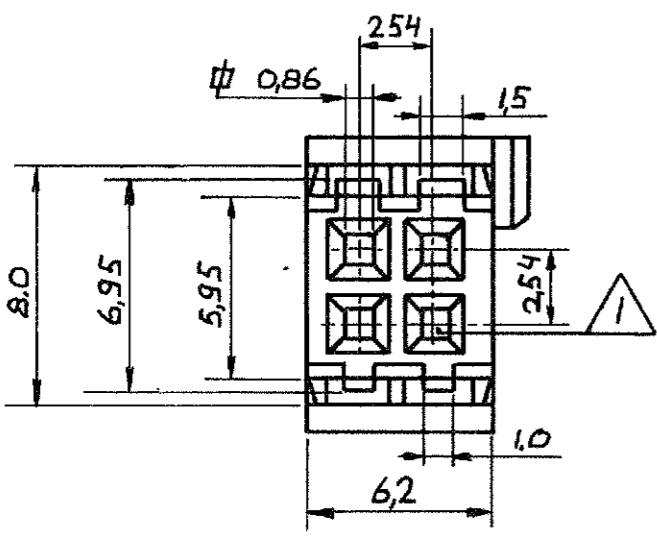


DIMENSIONS IN mm



COVER 166495-1

CONNECTOR 166501-...  
(SEE TABLE)



10 OBSOLETE.

| PARTNUMBER CONNECTOR | FINISH      | MATERIAL | PARTNUMBER |
|----------------------|-------------|----------|------------|
| 166501-1             | SEE NOTE 16 | SEE NOTE | 167234-3   |
| 166501-4             | SEE NOTE 16 | SEE NOTE | 167234-2   |
| 2-166501-5           | SAME AS -5  | 2        | 2-167234-5 |
| 2-166501-6           | SAME AS -6  | 2        | 2-167234-6 |

NOTES:

- 16 PLATING CONTACTS SAME AS -1, ONLY 0.8um Au.
- 17 PLATING CONTACTS SAME AS -1, ONLY 1.25um Au.

NOTES

- 1 ALL CAVITIES LOADED WITH CONTACTS.
- 2 MATERIALS:  
HOUSING: THERMO PLASTIC POLYESTER GLASSFILLED, COLOUR: GREY  
COVER: THERMO PLASTIC POLYESTER GLASSFILLED, COLOUR: BLACK  
CONTACT: PHOSPHOR BRONZE.
- 3 CONTACT AREA: 20um GOLD OVER 125um Ni  
TERMINATION AREA: TIN
- 4 TWO POLARISING OPENINGS FOR COVER. ONLY IN OUTER WALLS AT SIDE OF NARROW RIBS ONLY
- 5 PLATING CONTACTS SAME AS -1, ONLY 1.3um Au OVER 125um Ni.
- 6 PLATING CONTACTS SAME AS -1, ONLY 10um Au OVER 125um Ni.
- 7 CONNECTOR PRINTED WITH DATE CODE, WIRE SIZE AND GOLDPLATING THICKNESS.

| PARTNUMBER CONNECTOR | FINISH      | MATERIAL | PART NUMBER |
|----------------------|-------------|----------|-------------|
| 166501-6             | SEE NOTE 16 | SEE NOTE | 167234-6    |
| 166501-5             | SEE NOTE 16 | 2        | 167234-5    |
| 166501-2             | SEE NOTE 16 |          | 167234-1    |

|   |  |   |
|---|--|---|
| CUSTOMER DRAWING<br>FOR REFERENCE ONLY<br>WILL NOT BE UPDATED   | <b>TE</b> TE Connectivity                              |   |
|   | THIS DRAWING IS UNPUBLISHED   RELEASED FOR PUBLICATION |   |
| © COPYRIGHT 19 BY AMP-HOLLAND B.V.<br>ALL INTERNATIONAL RIGHTS RESERVED.<br>AMP PRODUCTS MAY BE COVERED BY U.S. AND FOREIGN PATENTS AND/OR PATENTS PENDING. |  |   |
| DR. M.VAES 23.9.82  | WIRE RANGE AWG 26-22                                   | NAME 2x2 POS CABLE CONNECTOR KIT ASSEMBLY |
| CHK. [Signature] 30/9/82  | INSUL. RANGE   | REV. DATE D M Y 04 03 14                  |
| APP. [Signature] 5.10.82  | SIZE A3  | DRAWING NO C-167234                       |
|   | SHEET OF   | REV. LTR. F                               |

单击下面可查看定价，库存，交付和生命周期等信息

[>>TE Connectivity\(泰科\)](#)