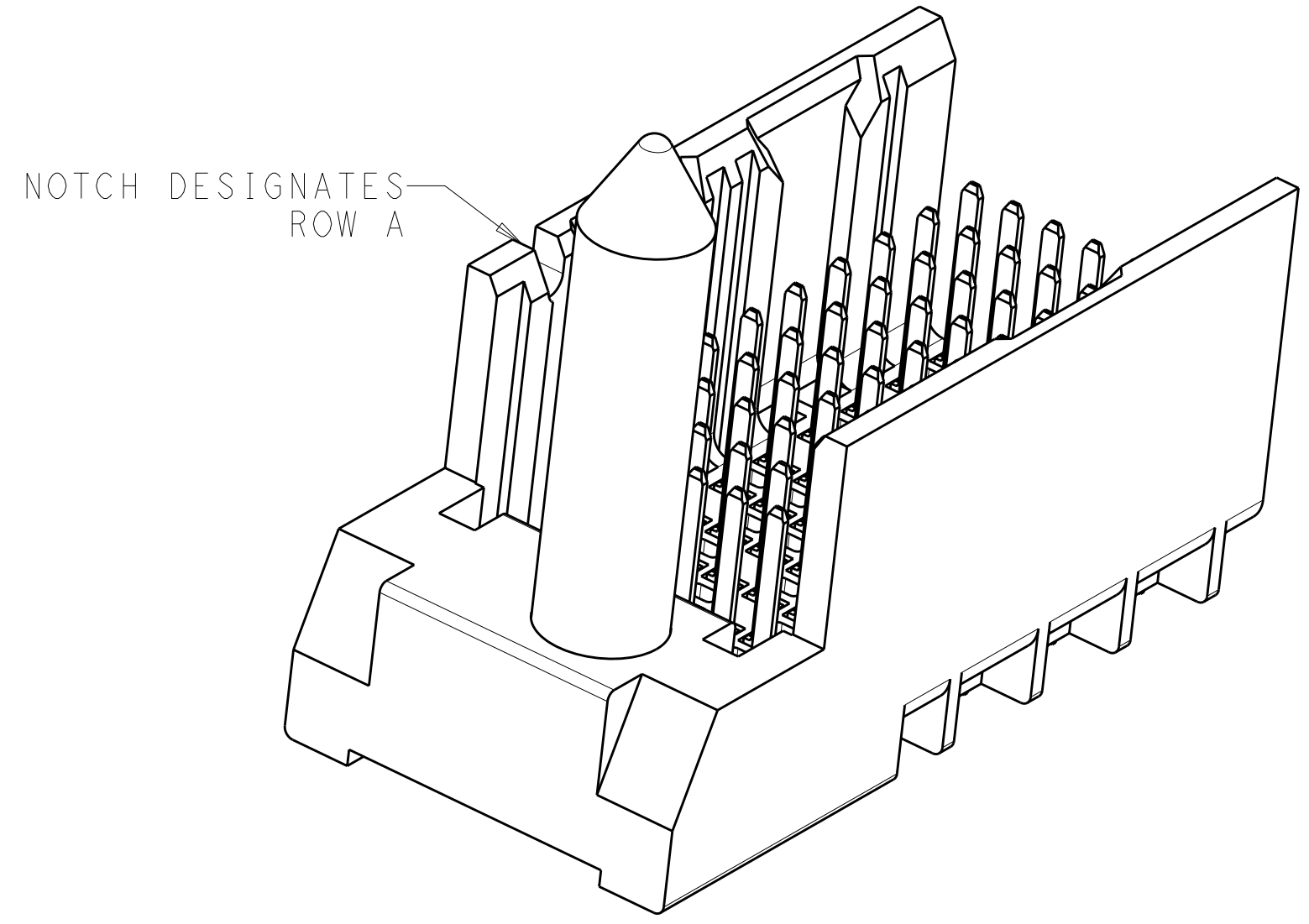
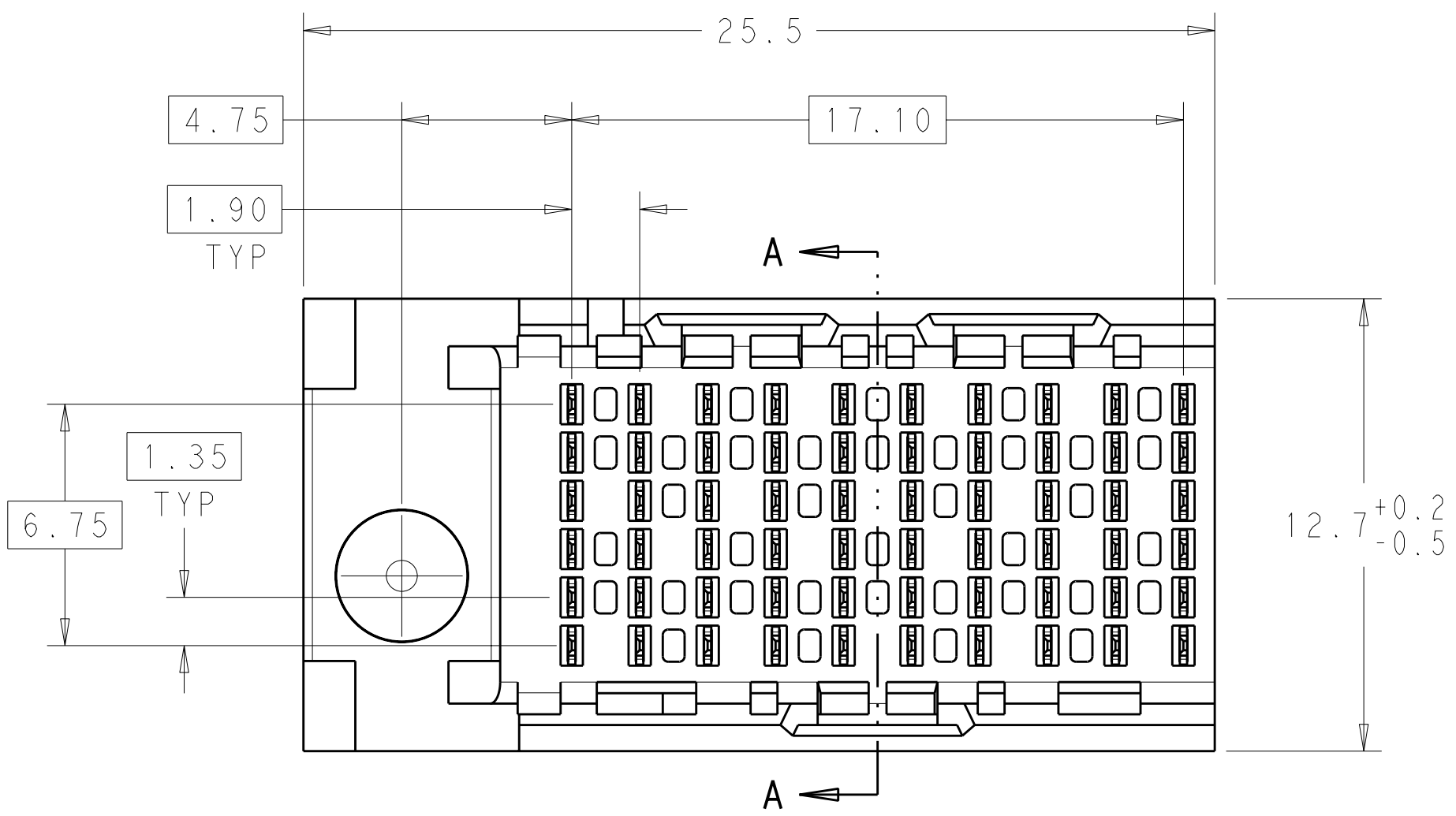
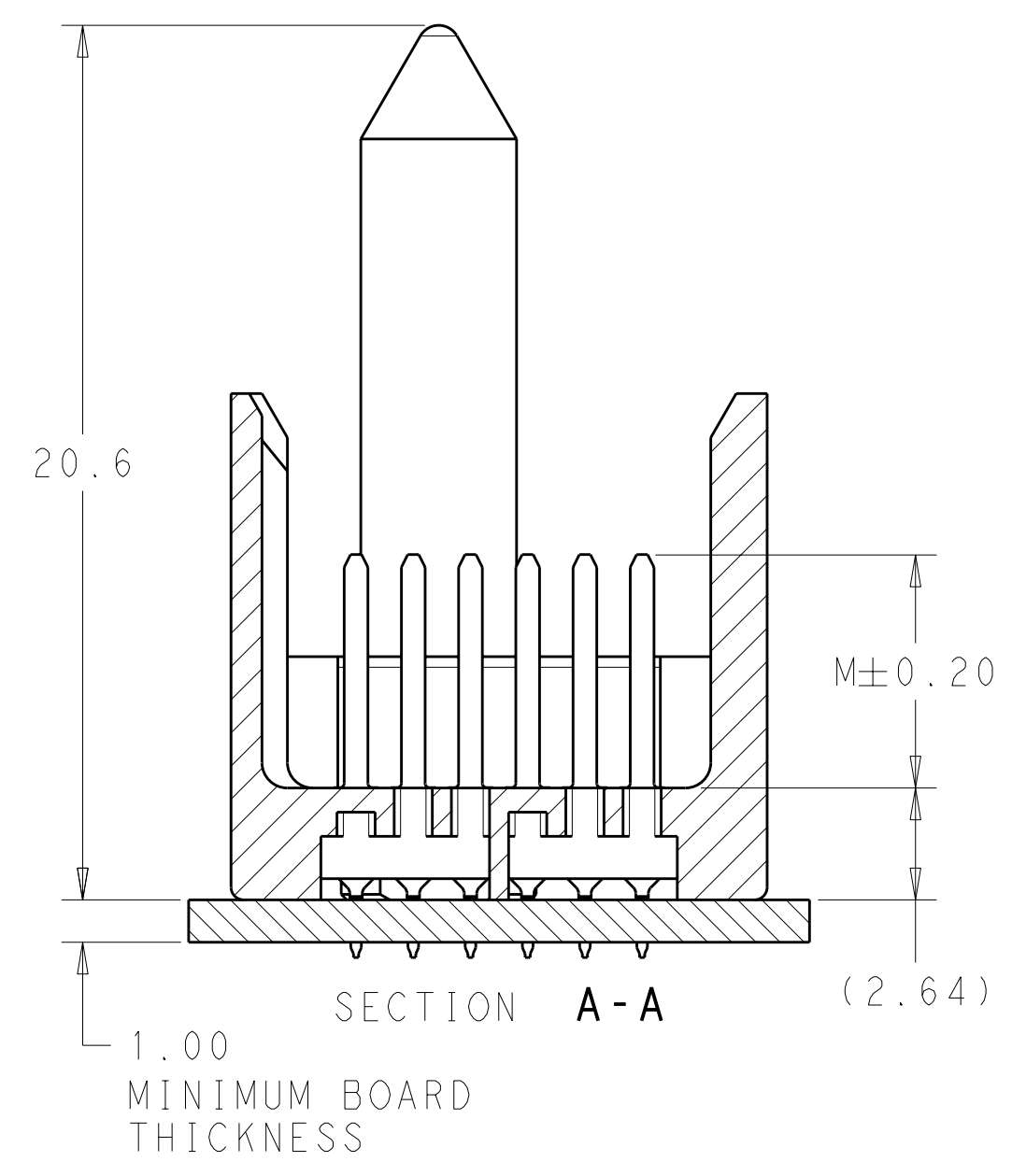
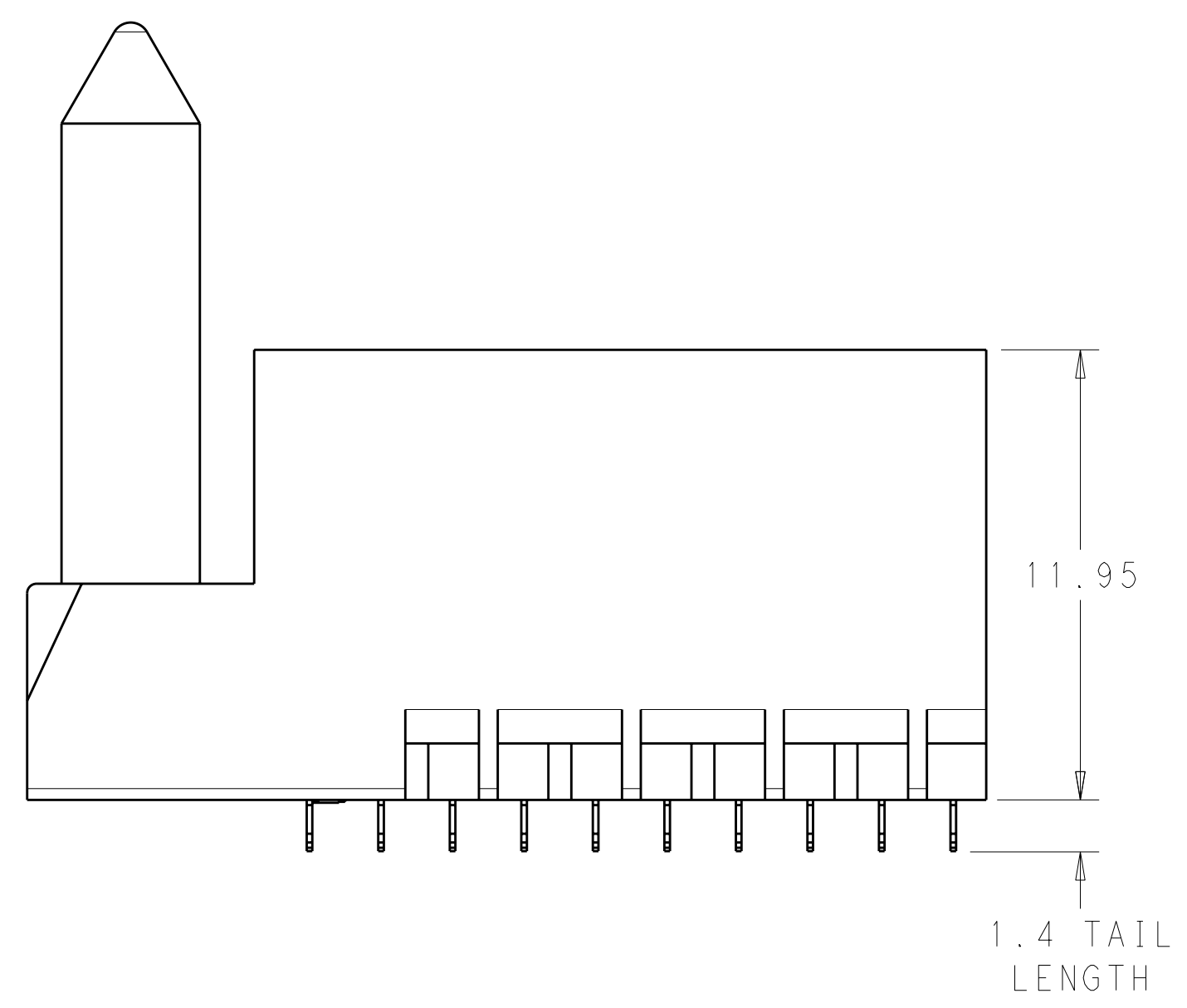
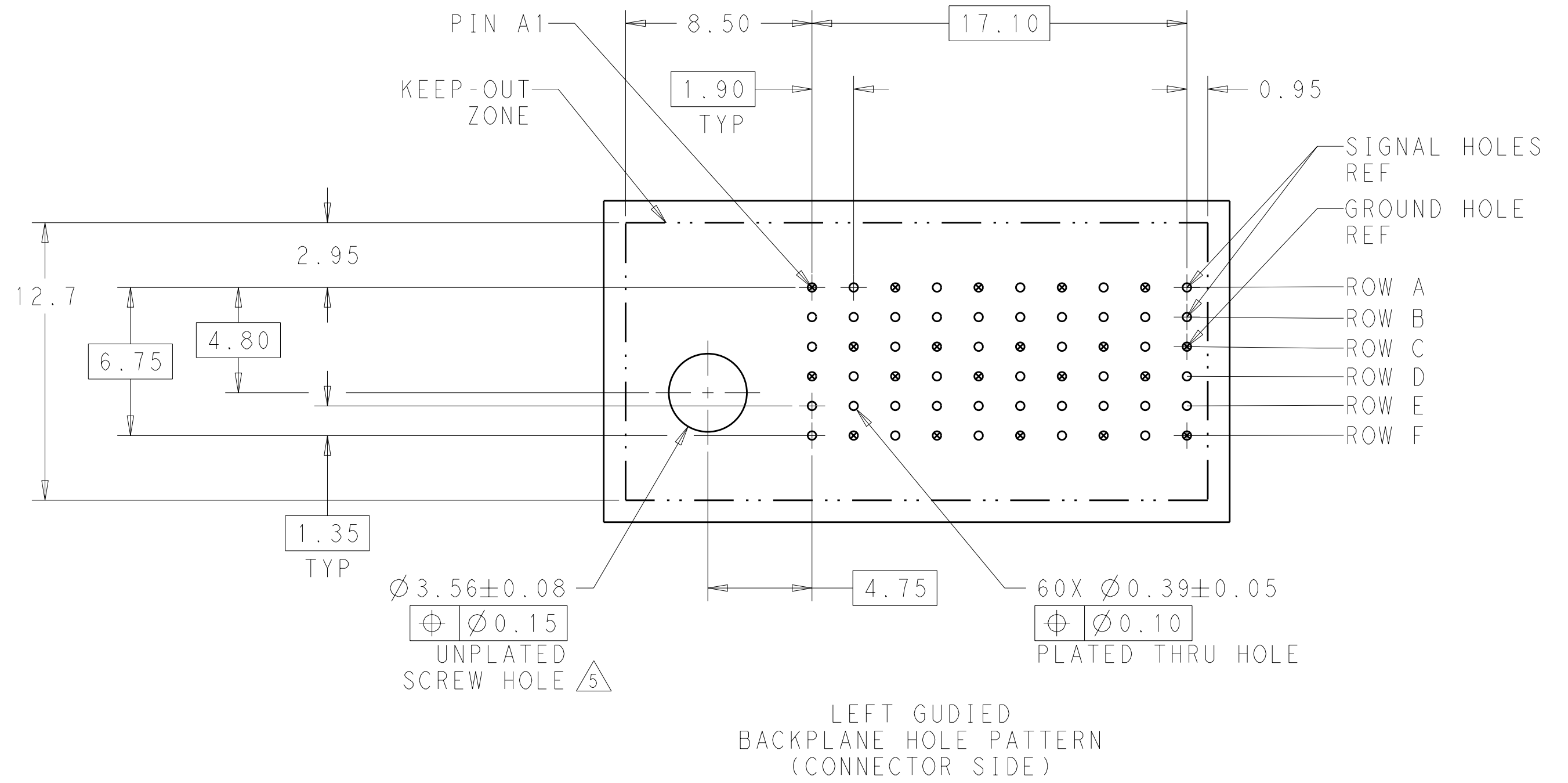


LOC	DIST	REV	DATE	BY	CHKD	APVD
AD	00	B	04JAN12	KH	DY	



- 1 MATERIAL:  
HOUSING: LCP, GLASS FILLED, UL94V-0.  
TERMINALS: HIGH PERFORMANCE COPPER ALLOY.
- 2 FINISH:  
30μ" MIN GOLD IN CONTACT AREA. SELECTIVE TIN ON PCB TAILS, NICKEL OVERALL.
- 3 FINISH:  
30μ" MIN GOLD IN CONTACT AREA. SELECTIVE TIN-LEAD ON PCB TAILS, NICKEL OVERALL.
- 4. SCREWS PACKAGED IN END OF PACKAGING TUBE.
- 5 FOR GROUNDED GUIDE PIN USE Ø3.56±0.08 PTH, Ø3.66 DRILL, AND Ø6.5 PAD.




THIS DRAWING IS A CONTROLLED DOCUMENT.		DRN J. K. SHOBER 02DEC2010	TE Connectivity
DIMENSIONS: mm		CHK J. EABY 02DEC2010	
TOLERANCES UNLESS OTHERWISE SPECIFIED:		APVD J. EABY 02DEC2010	NAME IMPACT, 2 PAIR, 10 COLUMN, HEADER LEFT GUIDED, OPEN END WALL SIGNAL MODULE, 0.39 PTH
Ø	9 PLC ±0.25	PRODUCT SPEC	SIZE CAGE CODE DRAWING NO RESTRICTED TO
∅	3 PLC ±0.13	APPLICATION SPEC	A100779C=2057419
∠	4 PLC ±0.13	WEIGHT	SCALE 6:1 SHEET 1 OF 2 REV B
FINISH	SEE TABLE	CUSTOMER DRAWING	

THIS DRAWING IS UNPUBLISHED. RELEASED FOR PUBLICATION 20  
 © COPYRIGHT 20 . . . ALL RIGHTS RESERVED.

LOC	DIST	REVISIONS					
AD	00	P	LTG	DESCRIPTION	DATE	DWN	APVD
		-	-	SEE SHEET 1	-	-	-

FINISH	DIM M	PART NUMBER
△3	5.5	2057419-6
△3	4.9	2057419-5
△3	4.5	2057419-4
△2	5.5	2057419-3
△2	4.9	2057419-2
△2	4.5	2057419-1

REFER TO WWW.TE.COM  
 FOR PRODUCT AVAILABILITY

THIS DRAWING IS A CONTROLLED DOCUMENT.		DWN J. K. SHOBER 02DEC2010	 TE Connectivity	
DIMENSIONS: mm		CHK J. EARY 02DEC2010		
TOLERANCES UNLESS OTHERWISE SPECIFIED: 9 PLC ± 7 PLC ±0.25 5 PLC ±0.13 3 PLC ± 4 PLC ± ANGLES ± FINISH SEE TABLE		APVD J. EARY 02DEC2010	NAME IMPACT, 2 PAIR, 10 COLUMN, HEADER LEFT GUIDED, OPEN END WALL SIGNAL MODULE, 0.39 PTH	
MATERIAL		PRODUCT SPEC	RESTRICTED TO	
		APPLICATION SPEC	SIZE CAGE CODE DRAWING NO	
		WEIGHT	A100779C=2057419	
		CUSTOMER DRAWING	SCALE 5:1 SHEET 2 OF 2 REV B	

单击下面可查看定价，库存，交付和生命周期等信息

[>>TE Connectivity\(泰科\)](#)