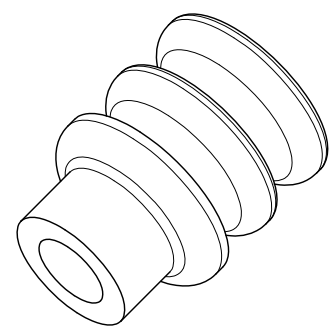
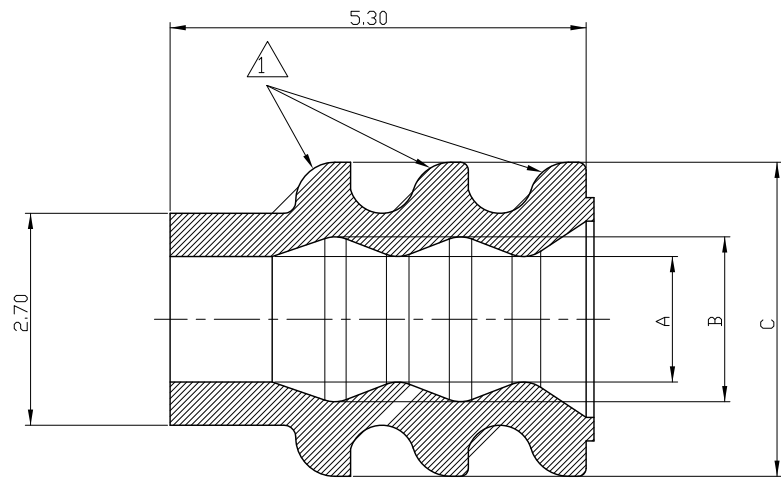
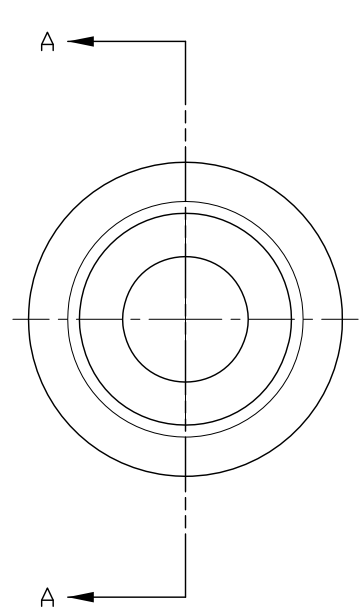


THIS DRAWING IS UNPUBLISHED. RELEASED FOR PUBLICATION 20
 © COPYRIGHT 20 BY TYCO ELECTRONICS CORPORATION. ALL RIGHTS RESERVED.

LOC	DIST	REVISIONS			
P	LTR	DESCRIPTION	DATE	DWN	APVD
DS	-	A	RELEASED	12.MAR.08	JH JK



ISOMETRIC VIEW



SECT A-A

NOTE:
 1. SURFACE DEFECTS ARE NOT ACCEPTABLE AS FOLLOWS.
 (BURRS, STAINS, SCORES)
 2. MUST CONTAIN OIL 5%

20~22 AWG	1.6	2.1	3.6	2005877-2	GRAY	45°±5°
22~26 AWG	1.0	1.9	4.0	2005877-1	BLUE	45°±5°
WIRE RANGE	DIM A	DIM B	DIM C	P/N	COLOR	HARDNESS

DIMENSIONS: MM		TOLERANCES UNLESS OTHERWISE SPECIFIED:	
0 PLC	±		
1 PLC	±		
2 PLC	±	±0.25	
3 PLC	±		
4 PLC	±		
ANGLES	±		
MATERIAL	FINISH	-	
SILICONE			

DWN JH GONG	 TE Connectivity			NAME WIRE SEAL FOR MINI MTDL		
CHK BW KANG						
APVD JK SONG						
PRODUCT SPEC 108-61101						
APPLICATION SPEC 114-16017	SIZE A3	CAGE CODE 00779	DRAWING NO C-2005877	RESTRICTED TO -		
CUSTOMER DRAWING			SCALE N/S	SHEET 1	OF 1	REV A

单击下面可查看定价，库存，交付和生命周期等信息

[>>TE Connectivity\(泰科\)](#)