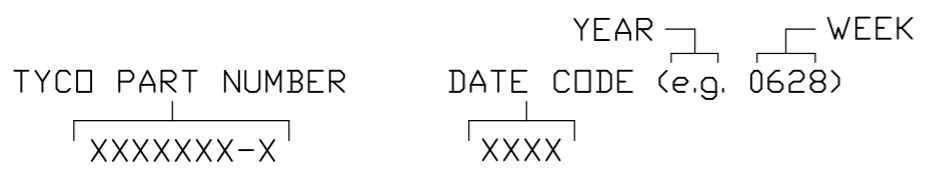


This drawing involves proprietary design rights of Tyco Electronics Corporation, and all design, manufacture, reproduction, use and sale rights regarding the same are expressly reserved. It is submitted for a specific purpose and the recipient by accepting this drawing, assumes custody and control and agrees to take reasonable precautions; (a) that this drawing will not be copied and reproduced, in whole or in part, or its contents revealed in any manner, or to any person except to meet the purpose for which it was delivered and (b) that any special features peculiar to this design will not be incorporated in other projects without the expressed written permission of Tyco Electronics Corporation.

| REVISIONS | | | |
|-----------|-----|-------------|---------|
| EC | REV | DESCRIPTION | DATE |
| CPR | A | NEW RELEASE | 2/28/06 |

- 7. CONTACTS PURCHASED SEPARATELY.
- 6. ELCON EQUIVALENT SERIES 297-09-01100.
- 5. ITEMS PROVIDED TO THIS SPECIFICATION TO BE PERMANENTLY IDENTIFIED PER THE FOLLOWING IDENTIFIER:



- 4. A REFERENCE DIMENSION (X.XX) IS WITHOUT TOLERANCE AND USED FOR INFORMATION ONLY.
- 3. FINISHES:
RETENTION CLIPS: BRITE DIP PICKLED PER INDUSTRY STANDARDS.
- 2. MATERIALS:
INSULATORS: THERMOPLASTIC, GLASS REINFORCED, UL94V-0 FLAMMABILITY RATED, COLOR-BLACK.
RETENTION CLIPS: COPPER OR STAINLESS STEEL.
- 1. PART NUMBER CHANGES AND OR DESIGN CHANGES AFFECTING ITEM INTERCHANGEABILITY REQUIRE PRIOR TYCO APPROVAL AND AUTHORIZATION BY REVISION TO THIS DRAWING.

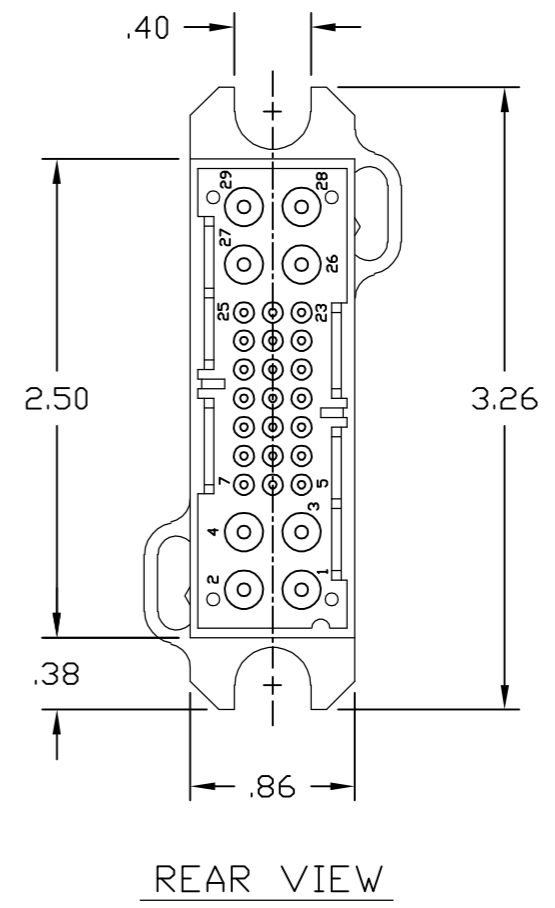
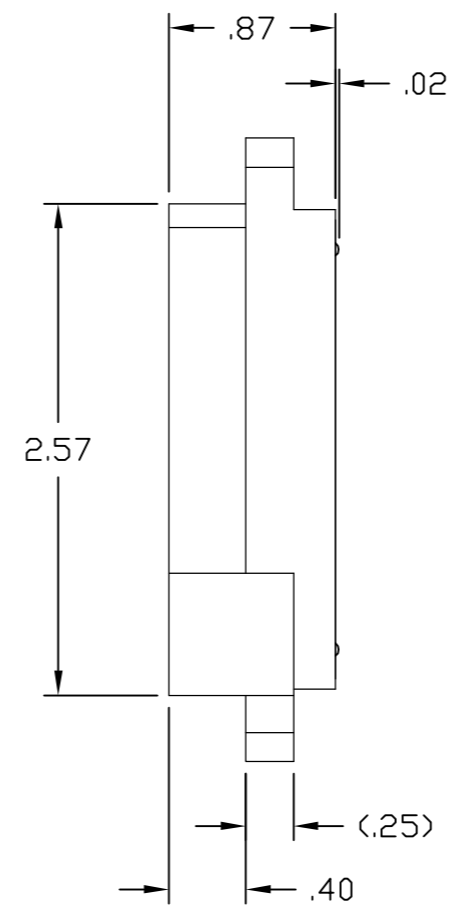
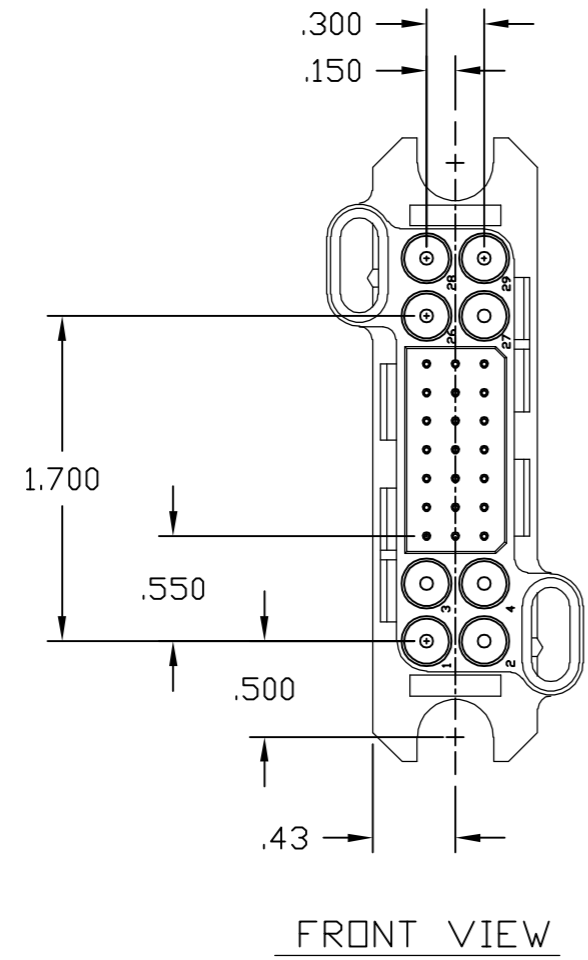
TYCO PART NUMBER
1648204-1

NOTES: UNLESS OTHERWISE SPECIFIED

| | | | | | | |
|---|---|------------------------------|---------------------------------|--|-----------|--|
| THIRD ANGLE PROJECTION UNLESS OTHERWISE SPECIFIED DIMENSIONS ARE IN INCHES (METRIC) TOLERANCES ANGLES ± .5' DECIMALS .XXX ± .010 (.25) .XX ± .02 (.3) | INCH OR INCH (MM) MM | DRAWN R. F. A. CHECKED | DATE 2/28/06 | Tyco Electronics Corporation Menlo Park, Ca 94025 | | |
| | TITLE CONNECTOR, PIN SIZE #16, #20, #16 CONFIG. LOWER DRAWER | | SIZE DWG NUMBER B C= 1648204 | | REV. A | |
| | APPROVED S. FLICKINGER DCA APPROVED | | APPROVED 3/3/06 | ACAD FILE NUMBER C1648204A.DWG | | |
| | DWG SCALE 1=1 | | | SH 1 OF 2 | | |

This drawing involves proprietary design rights of Tyco Electronics Corporation, and all design, manufacture, reproduction, use and sale rights regarding the same are expressly reserved. It is submitted for a specific purpose and the recipient by accepting this drawing, assumes custody and control and agrees to take reasonable precautions; (a) that this drawing will not be copied and reproduced, in whole or in part, or its contents revealed in any manner, or to any person except to meet the purpose for which it was delivered and (b) that any special features peculiar to this design will not be incorporated in other projects without the expressed written permission of Tyco Electronics Corporation.

| REVISIONS | | | |
|-----------|-----|-------------|------|
| EC | REV | DESCRIPTION | DATE |
| | | SEE SHEET 1 | |



| | | | | | |
|--|---------------------------|-----------------|--|---|----------------------------|
| INCH OR INCH (MM) THIRD ANGLE PROJECTION UNLESS OTHERWISE SPECIFIED DIMENSIONS ARE IN INCHES (METRIC) TOLERANCES ANGLES ± .5° DECIMALS .XXX ± .010 (.25) .XX ± .02 (.3) | DRAWN R. F. A. | DATE 2/28/06 | Tyco Electronics Corporation Menlo Park, Ca 94025 | TITLE CONNECTOR, PIN SIZE #16, #20, #16 CONFIG. LOWER DRAWER | |
| | CHECKED | | | | SIZE B |
| | APPROVED | | DWG NUMBER C= 1648204 | | REV. A |
| | APPROVED S. FLICKINGER | 3/3/06 | ACAD FILE NUMBER C1648204A.DWG | | DWG SCALE 1=1 SH 2 OF 2 |

单击下面可查看定价，库存，交付和生命周期等信息

[>>TE Connectivity\(泰科\)](#)