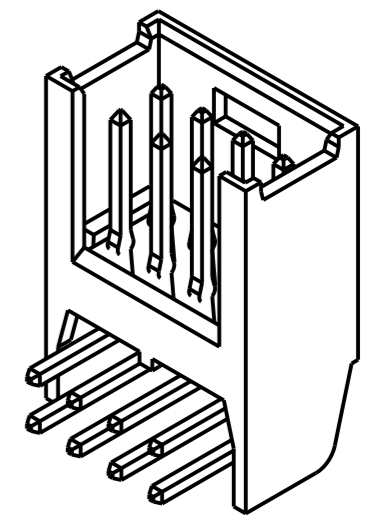
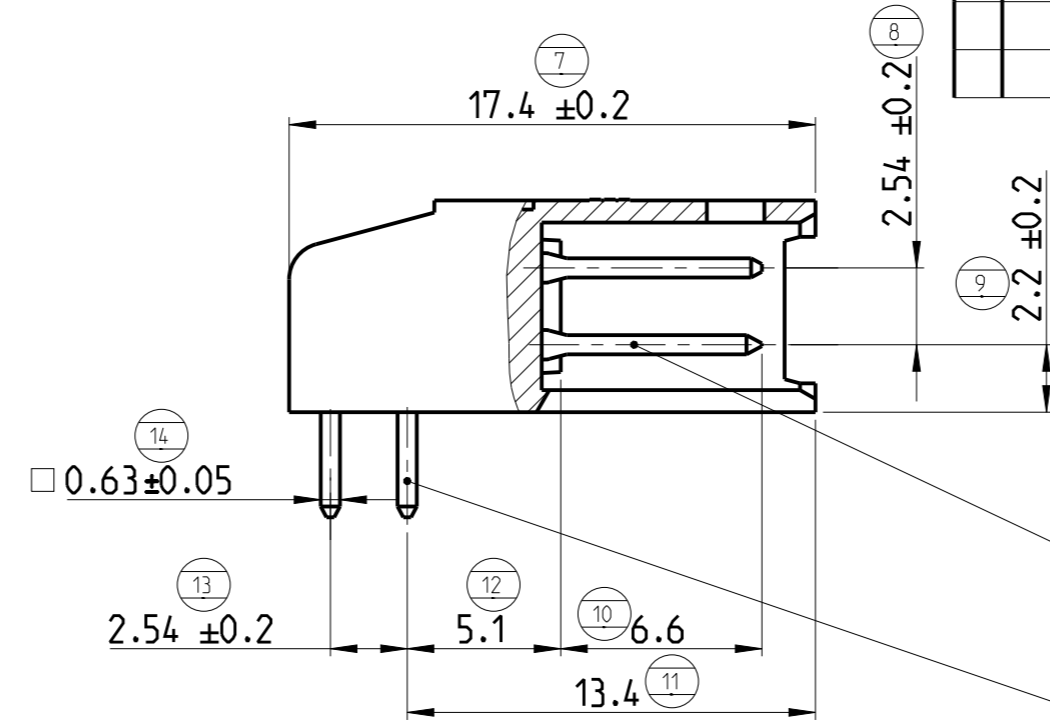
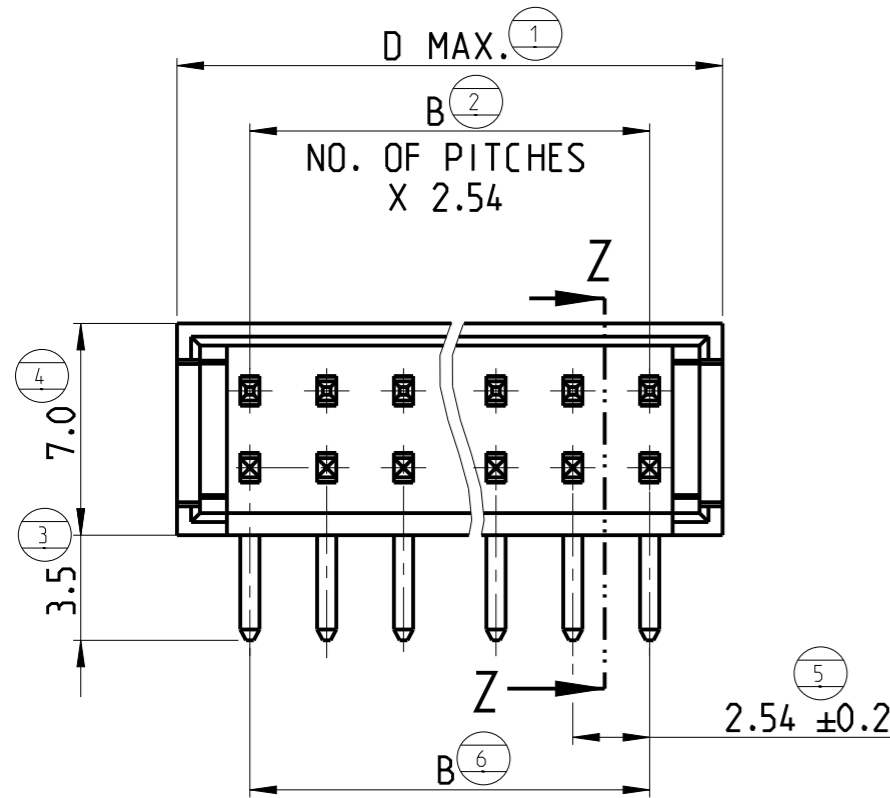


P	LTR	DESCRIPTION	DATE	DWN	APVD
	AD	REDRAWN. PLASTIC SUPPLIER CHANGED	11MAY2021	SB	KJK



PARTIAL SEC. Z-Z

3:1

NOTES:

- △ FINISH: 3-5 μm TIN OVER MIN 1.27 μm NICKEL
- △ FINISH: DUPLEX PLATED MIN. 0.38 μm GOLD IN CONTACT AREA AND 2.5 μm TIN IN SOLDER AREA. OVER MIN 1.27 μm NICKEL.
- △ FINISH: DUPLEX PLATED MIN 0.76 μm GOLD IN CONTACT AREA AND 2.5 μm TIN IN SOLDER AREA. OVER MIN 1.27 μm NICKEL.
- △ MATERIALS:
-HOUSINGS: FLAME RETARDANT THERMOPLASTIC UL94V0. COLOR BLACK.
-TIN AND GOLD PLATED CONTACTS: BRASS

△ OBSOLETE

15.2	10.16	280393-3	284124-1	280393-1	5
58.5	53.34	280393-3	280393-2	280393-1	22
48.3	43.18	281021-3	281021-2	281021-1	18
40.7	35.56	280392-3	280392-2	280392-1	15
33.1	27.94	280522-3	280522-2	280522-1	12
25.4	20.32	280510-3	280510-2	280510-1	9
22.9	17.78	280390-3	280390-2	280390-1	8
17.8	12.70	282790-1	282790-1	282790-1	6
12.7	7.62	280389-3	280389-2	280389-1	4
D	B	PART NUMBER	PART NUMBER	PART NUMBER	NO. POS.

THIS DRAWING IS A CONTROLLED DOCUMENT.		DWN G. CAMPIA 12FEB1990			
		CHK R. CANTORE 12FEB1990			
DIMENSIONS: mm		APVD -	NAME AMPMODU II SHROUDED HEADER DUAL ROW, RIGHT ANGLE POST		
TOLERANCES UNLESS OTHERWISE SPECIFIED: ±0.3		PRODUCT SPEC 108-20025	RESTRICTED TO		
0 PLC ±		APPLICATION SPEC -	SIZE A3	CAGE CODE 00779	DRAWING NO C-280389
1 PLC ±		WEIGHT -	SCALE 5:1		
2 PLC ±		CUSTOMER DRAWING	SHEET 1 OF 1		
3 PLC ±			REV AD		
4 PLC ±					
ANGLES ±2°					
MATERIAL 4					
FINISH -					

单击下面可查看定价，库存，交付和生命周期等信息

[>>TE Connectivity\(泰科\)](#)