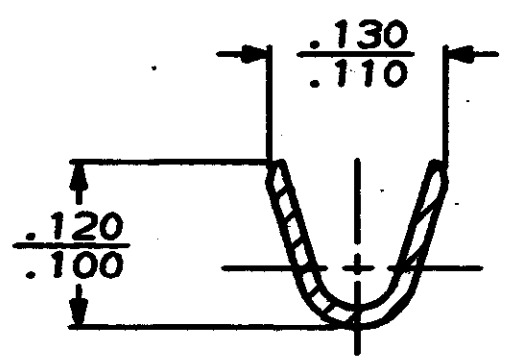
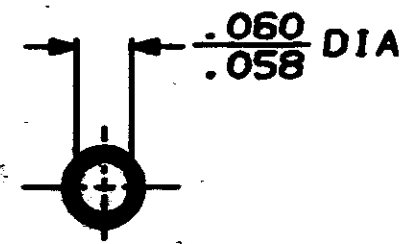
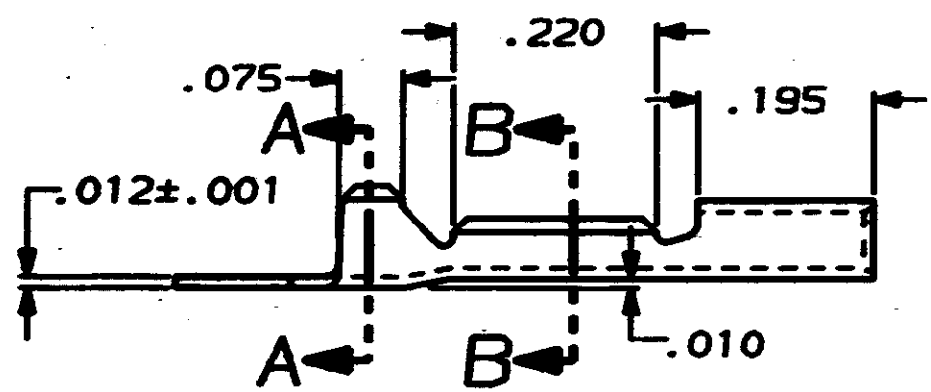
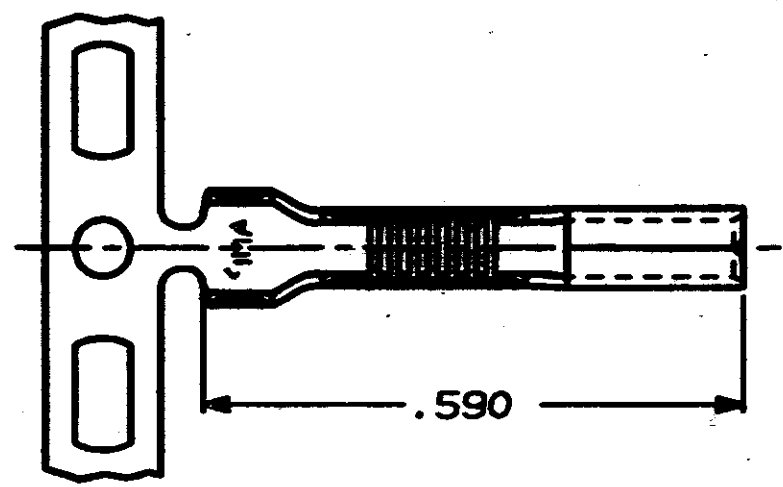


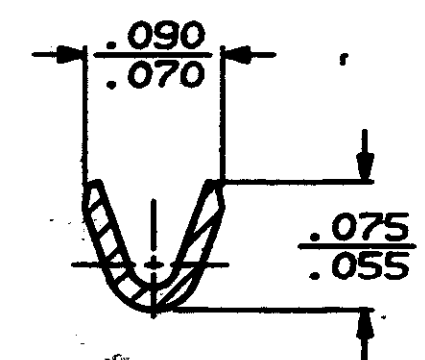
THIS DRAWING IS UNPUBLISHED. RELEASED FOR PUBLICATION ,19 .
 © COPYRIGHT 19 BY AMP INCORPORATED. ALL INTERNATIONAL RIGHTS RESERVED.

LOC	DIST	P	F	ZONE	LTR	REVISIONS	DATE	APPD
AF	50				A	REV AF-5787, RELEASE PER FASR	12/7/88	(Signature)

1 CONTINUOUS STRIP ON REELS



SECTION A-A
SCALE 8:1



SECTION B-B
SCALE 10:1

TYPE	WIDTH	STRIP LENGTH	TYPE	WIDTH	HEIGHT	WIRE
INSUL BARREL CRIMP	.100	.260	F	.055	.041	22
					.038	24
					.037	26
					.035	28
WIRE BARREL CRIMP					.035	29
					±.002	

DO NOT SCALE PRINT. UNLESS SPECIFIED DIMENSIONS IN INCHES. TOLERANCES ON: 2 PLC DEC ± .015 ANGLES ± .
 MATERIAL: #4 HARD BRASS
 FINISH: TIN PL .000080 MIN

.040-.060	29-22	63506-1
INSULATION RANGE	MAGNET WIRE RANGE	PART NO
DR P. FORTNEY 7/6/88 CHK MS FEHER 7/8/88 APPD D DECKER 7/8/88 APPD TL SHUTTER 7/8/88	AMP INCORPORATED Harrisburg, Pa. 17105	
RECEPTACLE, PIN, .062 DIA		
SIZE B	PSCH NO 00779	DRAWING NO 63506
SCALE 5:1	SHEET 1 OF 1	

单击下面可查看定价，库存，交付和生命周期等信息

[>>TE Connectivity\(泰科\)](#)