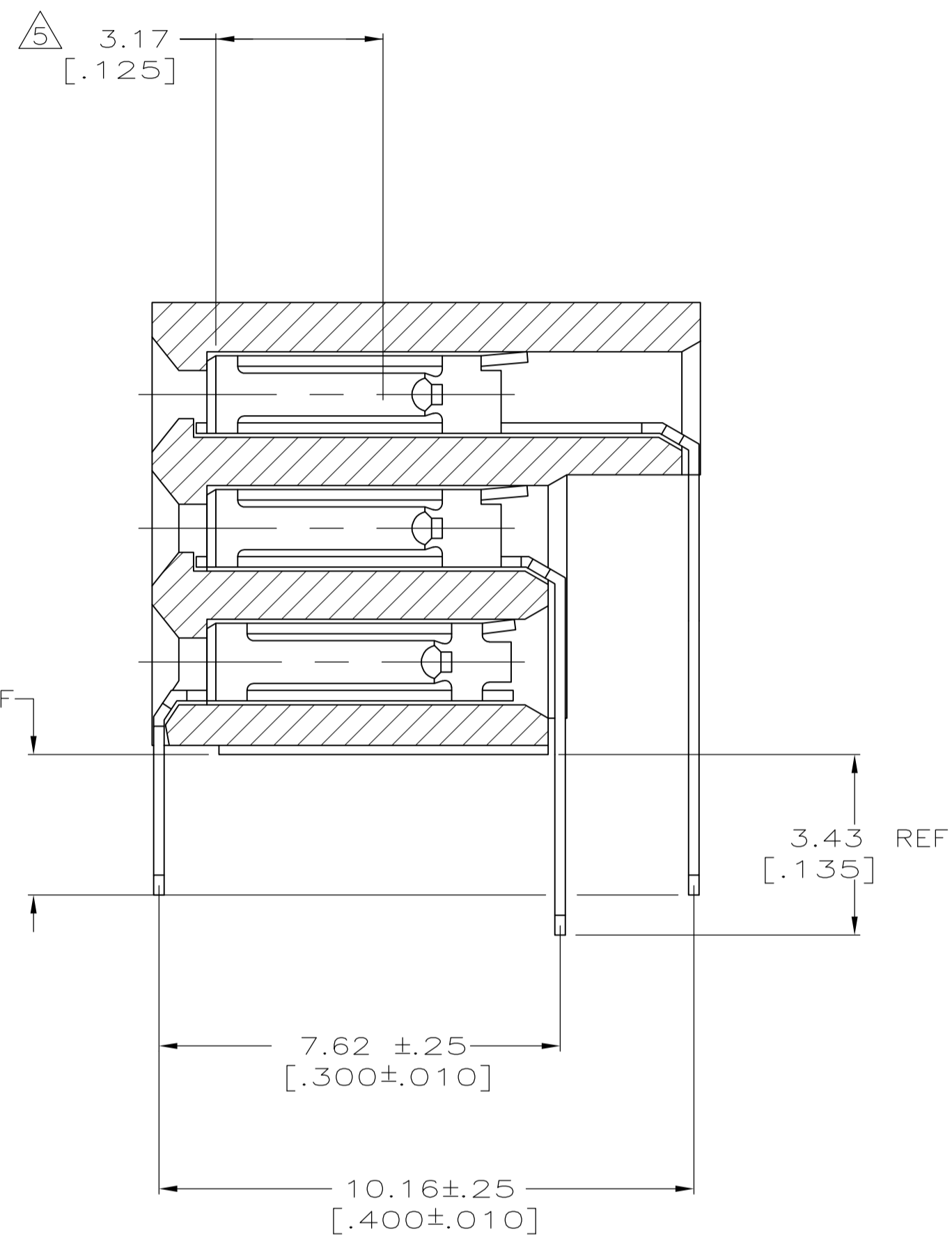
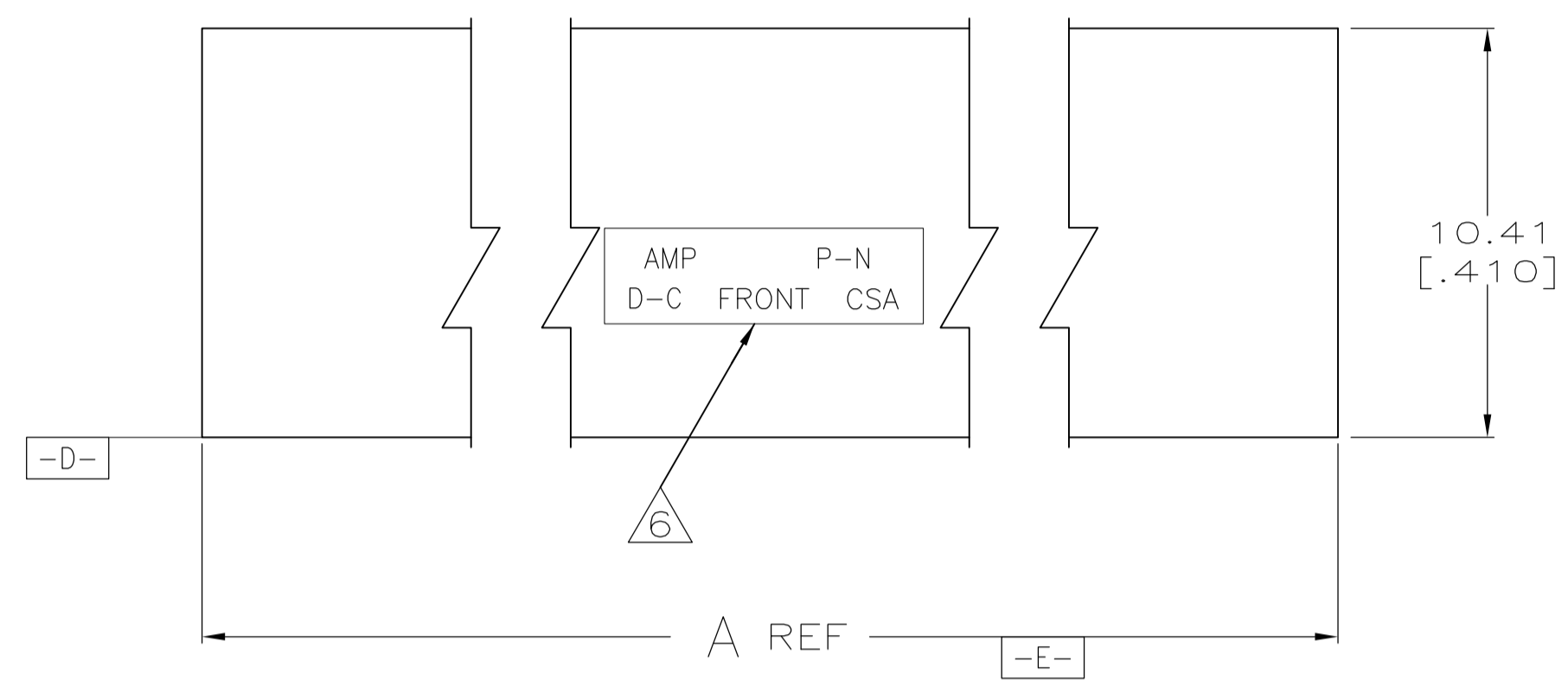
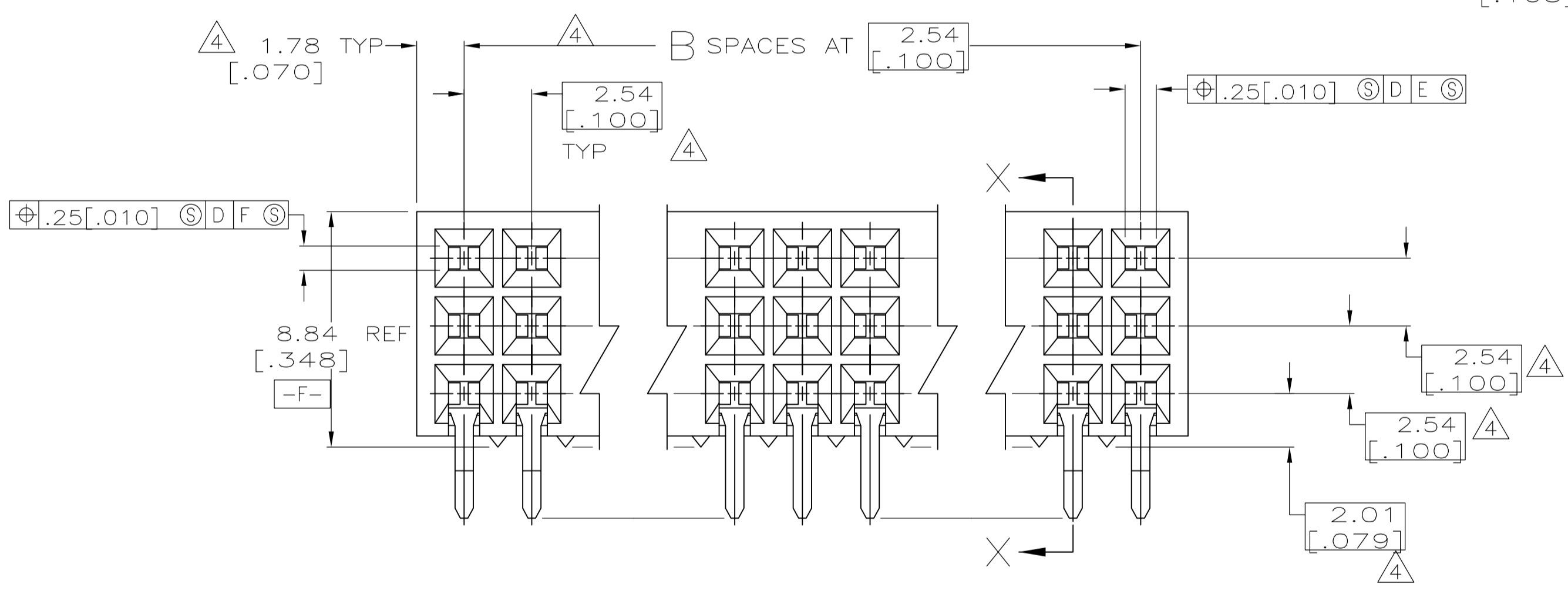


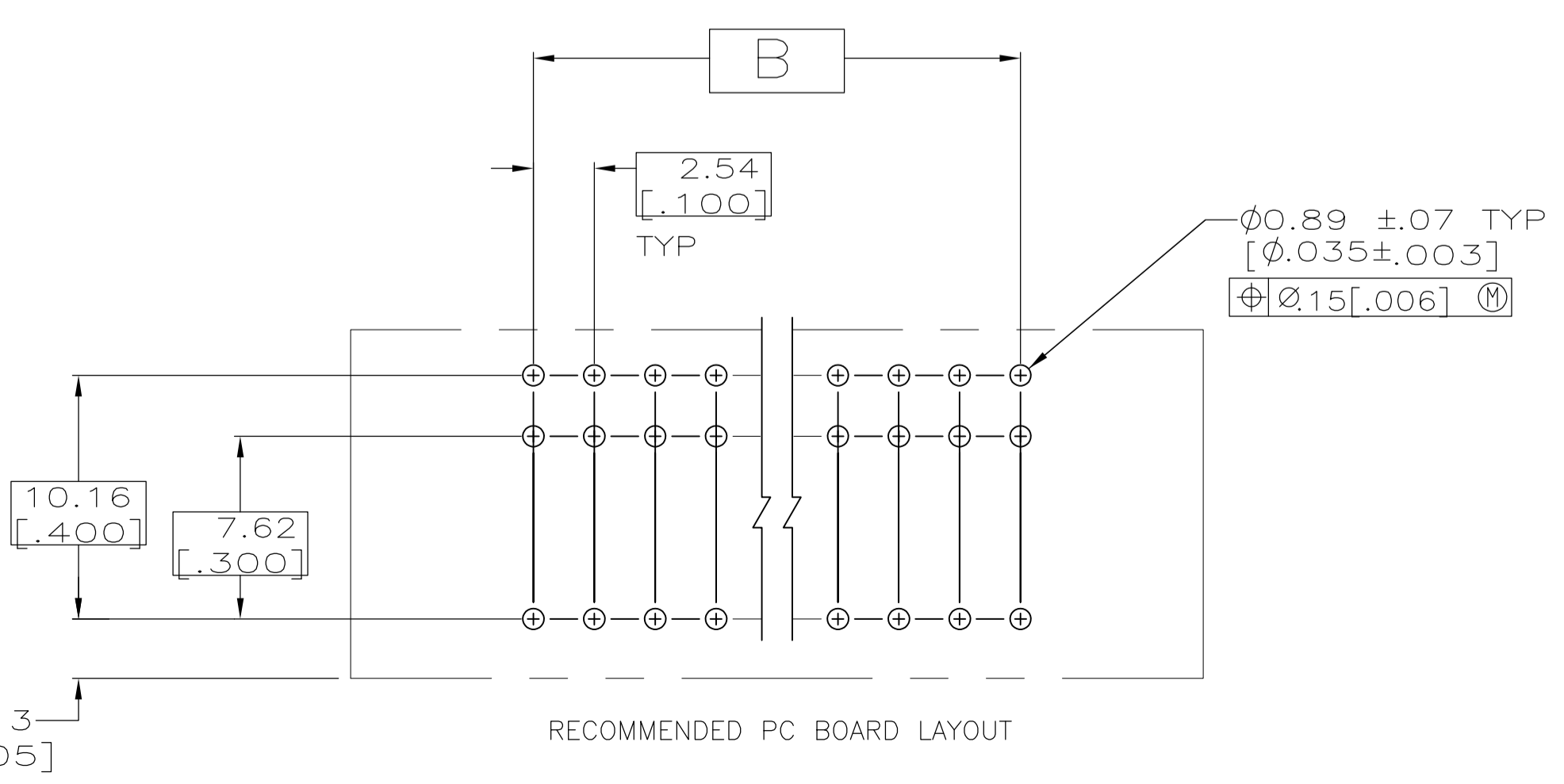
LOC		DIST		REVISIONS			
REV	DATE	DESCRIPTION	DATE	BY	APPV		
F1	ECO-05-11839		25JAN06	MB	JO		
F2	REVISED PER ECO-09-021826		21SEP09	KK	AEG		



- ① HOUSING: POLYPHENYLENE SULFIDE GLASS FILLED.
- ② CONTACT: PHOS BRONZE
- ③ CONTACT: .00762[.000030] GOLD IN CONTACT AREA, .00127[.000050]-.00254[.000100] BRIGHT TIN-LEAD ON SOLDER LEADS, ALL OVER .00127[.000050] NICKEL
- ④ THESE DIMENSIONS PERTAIN TO CAVITY CENTERLINES (NOT TO CONTACT LOCATIONS)
- ⑤ POINT OF MEASUREMENT FOR PLATING THICKNESS (MEASURED INSIDE CONTACT BEAMS)
- ⑥ "AMP", "PART NUMBER", "DATE CODE", THE WORD "FRONT", AND "CSA" MARKED WITH .062 HIGH CHARACTERS. 21 POS. AND SMALLER FRONT IDENTIFIED WITH "↓". (ARROW)
- 7. CONTACTS SHALL MEET AN AVERAGE INSERTION FORCE OF 2.75 OZ. OR LESS AND A MIN WITHDRAWEL FORCE OF .50 OZ.
- ⑧ CONTACT: .00762[.000030] GOLD IN CONTACT AREA, .00127[.000050]-.00254[.000100] MATTE TIN ON SOLDER LEADS, ALL OVER .00127[.000050] NICKEL
- ⑨ ROHS 2002/95/EC COMPLIANT.
- ⑩ OBSOLETE PARTS: OBSOLETE CIS STREAMLINING PER D.RENAUD/D.SINISI



SECTION X-X
SCALE 10:1



REV	DATE	DESCRIPTION	DATE	BY	APPV	
9	04/04/90	OBSOLETE	25	67.06 [2.640]	78	-5-535962-1-
10	04/04/90		25	67.06 [2.640]	78	535962-1
		FINISH	B	A	NO OF POSN	PART NUMBER

THIS DRAWING IS A CONTROLLED DOCUMENT.

DIMENSIONS: INCHES	TOLERANCES UNLESS OTHERWISE SPECIFIED:	DWG: KATE HELM 04/04/90	CHK: DOUG SARVER 04/04/90	APVD: -	NAME: -	DATE: 04/04/90	REV: -
0. PLC ± -	1. PLC ± -	Tyco Electronics Corporation		Tyco Electronics Corporation			
2. PLC ± -	3. PLC ± .127(.005)	Harrisburg, PA 17105-3608		RCPT ASSY, MOD II, 3 ROW CLOSED ENTRY, LOW FORCE			
4. PLC ± -	ANGLES ± -	SIZE: A1	CAGE CODE: 00779	DRAWING NO: 535962	RESTRICTED TO: -		
MATERIAL: -	FINISH: -	WEIGHT: -	CUSTOMER DRAWING		SCALE: 6:1	SHEET: 1 OF 1	REV: F2

单击下面可查看定价，库存，交付和生命周期等信息

[>>TE Connectivity\(泰科\)](#)