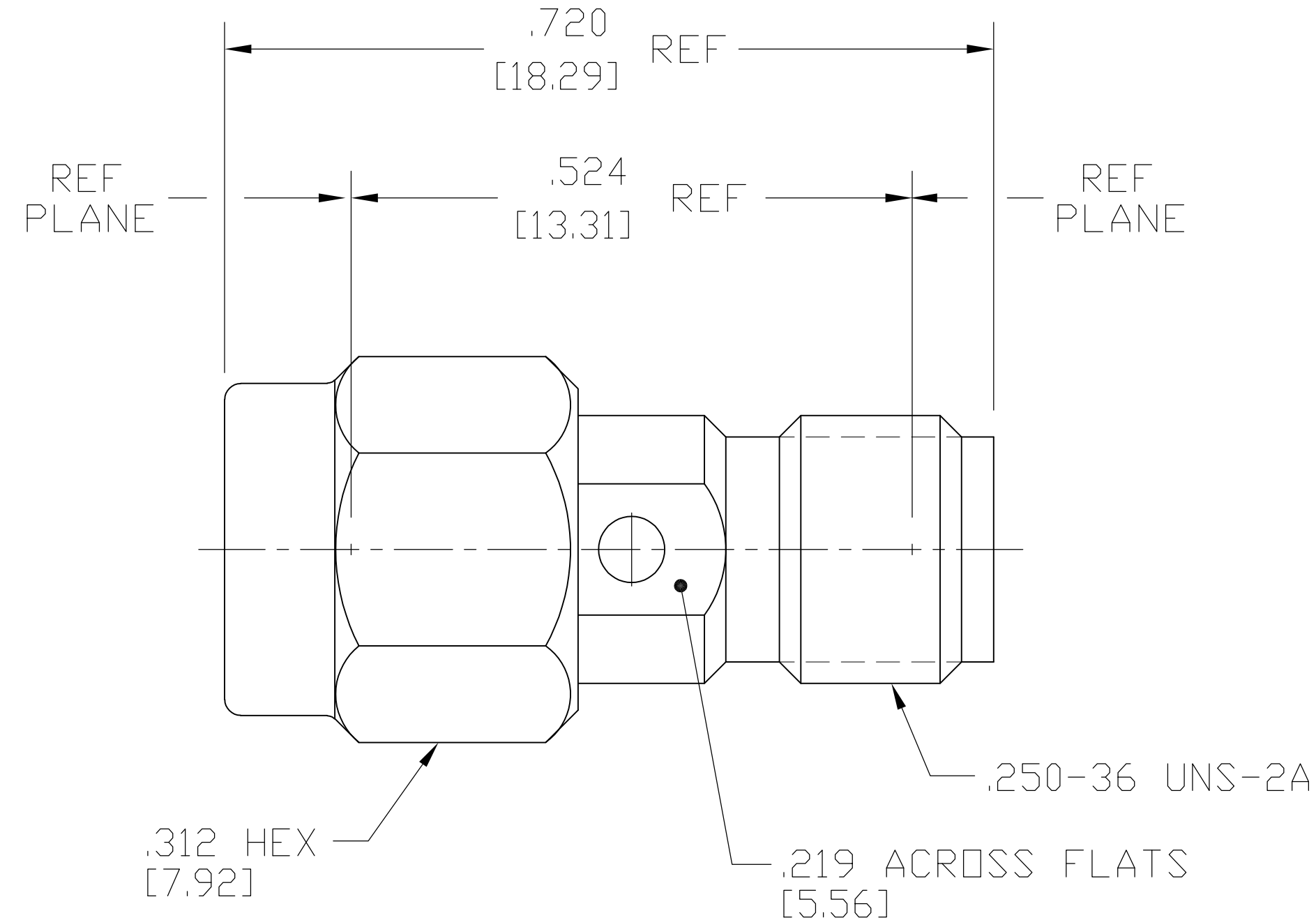


THIS DRAWING IS UNPUBLISHED.		RELEASED FOR PUBLICATION	
© COPYRIGHT - By -		ALL RIGHTS RESERVED.	
HOUSING COUPLING NUT	STAINLESS STEEL PER ASTM-A484 AND ASTM-A582, TYPE 303	PASSIVATE PER ASTM-A-380	
DIELECTRIC	TFE FLUOROCARBON PER ASTM-D-1457	N/A	
CENTER CONTACT	BERYLLIUM COPPER PER ASTM B 196, ALLOY C17300, CONDITION H	GOLD PLATE PER ASTM-B-488	
RETAINING RING	BERYLLIUM COPPER PER ASTM B 194, ALLOY C17200, CONDITION H	N/A	
GASKET	SILICONE RUBBER PER ZZ-R-765	N/A	
COMPONENT	MATERIAL	FINISH	

LOC		DIST		REVISIONS			
-	-	P	LTR	DESCRIPTION	DATE	DWN	APVD
-	-	A	-	RELEASED PER ECO 13-015808	10-9-13	CT	DW



ELECTRICAL	MECHANICAL	ENVIRONMENTAL
Nominal Impedance (Ohms) <u>50</u>	Interface Dimensions MIL-STD-348A Fig. 310.1 & 310.2	TEMPERATURE RATING <u>-65°C TO 125°C</u>
Frequency Range (GHz) DC to <u>18</u>	Recommended Mating Torque <u>7-10 in-Lb</u>	Vibration MIL-STD-202, Method 204, Condition D
Volt Rating (VRMS MAX) @ Sea Level <u>335</u>	Mating Characteristics: Insertion (MAX Lbs) <u>3</u>	Shock MIL-STD-202, Method 213, Condition I
VSWR <u>1.05 + .005f(GHz)</u>	Withdrawal (MIN Oz) <u>1</u>	Thermal Shock MIL-STD-202, Method 107, Condition B, EXCEPT HIGH TEMP SHALL BE +155°C
Insertion Loss (dB MAX) <u>.03 √f(GHz)</u>	Force to Engage and Disengage (In-Lbs MAX) <u>2</u>	Moisture Resistance MIL-STD-202, Method 106
RF Leakage (dB MIN) [-90-f(2-3 GHz)]	Center Contact Captivation Axial (Lbs) <u>6</u>	Corrosion - MIL-STD-202, Method 101, Condition B, 5% salt spray
Corona, 70,000 Ft (VRMS MIN) <u>250</u>	Radial (In-Oz) <u>4</u>	
Dielectric Withstanding Voltage (VRMS MIN) @ Sea Level <u>1500</u>	Coupling Proof Torque (In-Lbs MIN) <u>15</u>	
Contact Resistance (Milliohms MAX) Center Contact <u>4.0</u>	Coupling Mechanism Retention Force (Lbs MIN) <u>60</u>	
Outer Contact <u>2.0</u>	Weight (Grams) <u>TBD</u>	
Cable to Housing <u>N/A</u>		
RF High Potential @ Sea Level (VRMS MIN @ 5 MHz) <u>670</u>		
I.R.(Megohms MIN) <u>5,000</u>		

1484713-2
PART NUMBER

THIS DRAWING IS A CONTROLLED DOCUMENT.		DWN C.C.THOMAS 10-9-13		
DIMENSIONS: INCHES [mm]		CHK D.WILSON 10-9-13		
TOLERANCES UNLESS OTHERWISE SPECIFIED:		APVD D.WILSON 10-9-13	NAME SMA PLUG TO SMA JACK ADAPTER	
0 PLC ± -		PRODUCT SPEC	SIZE CAGE CODE DRAWING NO RESTRICTED TO	
1 PLC ± -		APPLICATION SPEC	A2 00779 C=1484713	
2 PLC ± -			SCALE 8:1 SHEET 1 of 1 REV A	
3 PLC ± .005 [0.13]				
4 PLC ± -				
ANGLES ± -				
FINISH		WEIGHT -		
SEE TABLE		CUSTOMER DRAWING		

单击下面可查看定价，库存，交付和生命周期等信息

[>>TE Connectivity\(泰科\)](#)