

THIS DRAWING IS UNPUBLISHED.

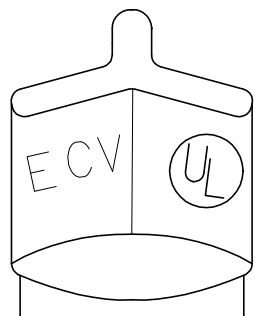
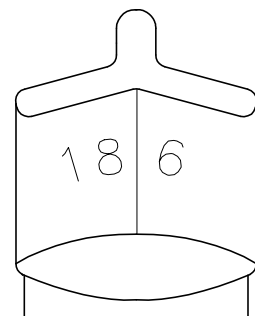
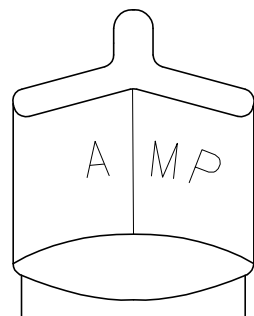
RELEASED FOR PUBLICATION

© COPYRIGHT - TE Connectivity Ltd.

ALL RIGHTS RESERVED.

REVISIONS

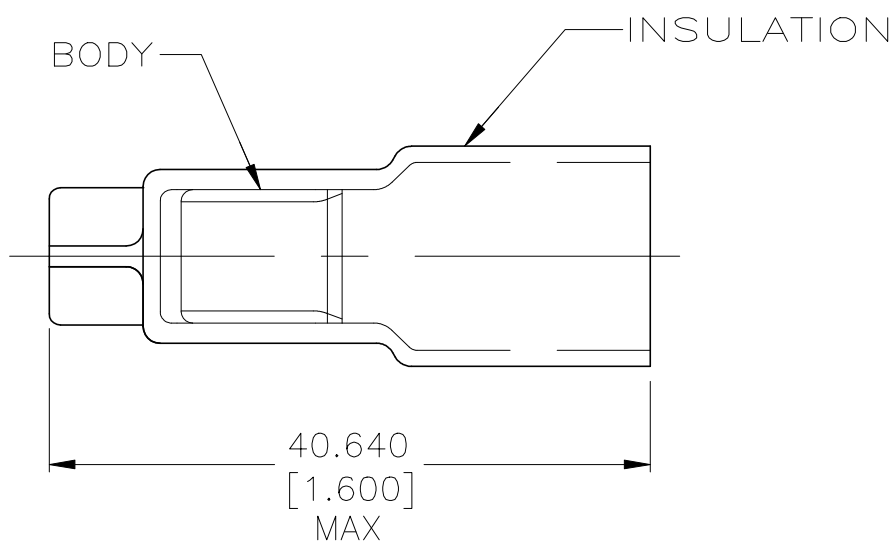
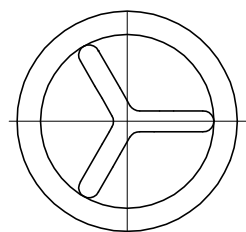
P	LTR	DESCRIPTION	DATE	DWN	APVD
J		REV PER 0G3A-0256-04	13APR04	JR	TM
J1		REVISED PER ECO-19-003379	03JUL2019	RS	DR



STAMPING DETAIL

- 1 FOR 12.700 [.500] MAX WIRE INSULATION DIA
- 2 MATERIAL: BODY; COPPER PER ASTM B152 INSULATION; PVC
- 3 FINISH: COLOR; BLUE

<b>AMP</b> WIRE RANGE	Listed
18-6 AWG SOLID OR STRANDED	18-6 AWG SOLID OR STRANDED



250	LOOSE PIECE	53891-1
QTY	DESCRIPTION	PART NO

AMP INCORPORATED  
CUSTOMER SERVICE SYSTEMS

MAX RECOMMENDED OPERATING TEMPERATURE:  
105°C [221°F] MAX

THIS DRAWING IS A CONTROLLED DOCUMENT.

DWN G KRUPER 12/21/92  
CHK R HERSEY 1-8-93  
APVD M ELLIS 1-8-93



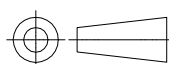
FOR ADDITIONAL PRODUCT INFORMATION OR COPIES OF DRAWINGS AND TECHNICAL DOCUMENTS

PRODUCT INFORMATION CENTER  
1-800-522-6752

VOLTAGE RATING:  
600V MAX (BUILDING & WIRING)  
1000V MAX (FIXTURES & SIGNS)

DIMENSIONS:  
mm [INCHES]

TOLERANCES UNLESS OTHERWISE SPECIFIED:



0 PLC ± -  
1 PLC ± -  
2 PLC ± 0.203[.008]  
3 PLC ± -  
4 PLC ± -  
ANGLES ± -

NAME  
SPLICE, WIRE, CLOSED END  
18-6 AWG

FOR APPLICATION TOOLING INFORMATION

TOOLING ASSISTANCE CENTER  
1-800-722-1111

CIRCULAR MIL AREA:  
9.88-21.64mm<sup>2</sup>[19500-42700]  
SOLID OR STRANDED

MATERIAL

FINISH

SIZE CAGE CODE DRAWING NO RESTRICTED TO  
A3 00779 C-53891 -

FOR ORDER ENTRY 1-800-526-5142

THIS DRAWING IS A CONTROLLED DOCUMENT FOR AMP INCORPORATED. IT IS SUBJECT TO CHANGE AND THE CONTROLLING ENGINEERING ORGANIZATION SHOULD BE CONTACTED FOR THE LATEST REVISION.



CUSTOMER DRAWING

SCALE 2:1 SHEET 1 OF 1 REV J1

单击下面可查看定价，库存，交付和生命周期等信息

[>>TE Connectivity\(泰科\)](#)