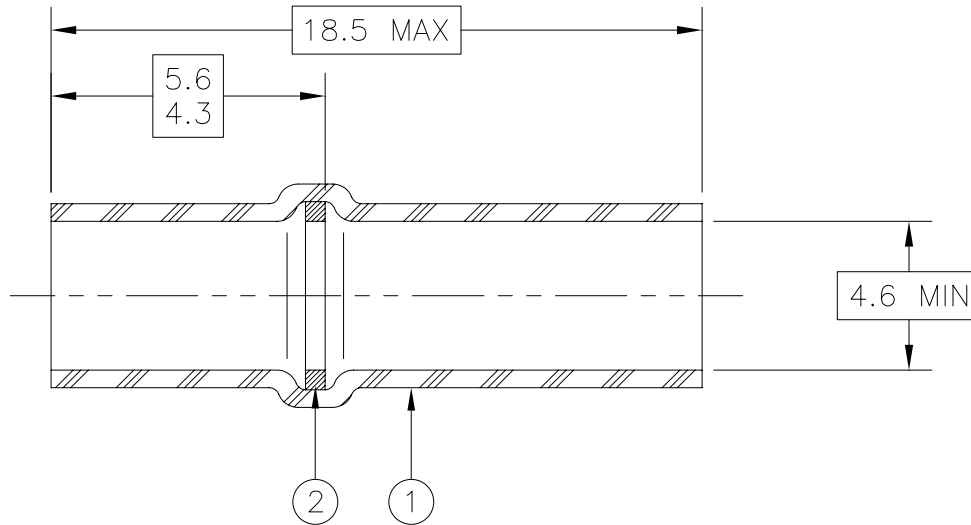


CUSTOMER DRAWING



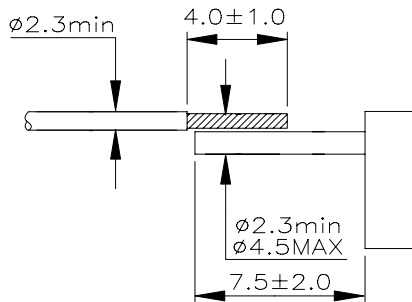
MATERIALS

- 1. INSULATION SLEEVE: Heat-shrinkable, transparent clear, radiation cross-linked modified polyolefin.
- 2. SOLDER PREFORM WITH FLUX:
 - SOLDER: TYPE Sn42Bi58 per ANSI-J-STD-006.
 - FLUX: TYPE ROM1 per ANSI-J-STD-004.

APPLICATION

- 1. These controlled soldering devices are designed for termination of a wire to the lead of electrical component or to the terminal of a connector.
- 2. Temperature range: -55°C to +125°C. For installation procedure and application equipment, consult RPIP-824-00 or H54286.

For best results, prepare the wire as shown:



<b style="font-size: 1.2em; vertical-align: middle;">Tyco Electronics		Tyco Electronics 300 Constitution Dr Menlo Park, CA 94025, U.S.A.		TITLE: SOLDERSLEEVE ONE STEP WIRE TERMINATOR LOW TEMPERATURE, LEAD FREE		
Unless otherwise specified dimensions are in millimeters. [Inches dimensions are shown in brackets]			Raychem Devices		DOCUMENT NO.: B-155-9101	
TOLERANCES: 0.00 N/A 0.0 N/A 0 N/A	ANGLES: N/A ROUGHNESS IN MICRON	Tyco Electronics reserves the right to amend this drawing at any time. Users should evaluate the suitability of the product for their application.		REV: A	DATE: 8-Jun-07	
DRAWN BY: P.TALLY	CAGE CODE: 06090	REPLACES: ---	ECO NUMBER: 07-013637	SCALE: NTS	SIZE: A	SHEET: 1 of 1

© 2007 Tyco Electronics Corporation. All rights reserved.
 If this document is printed it becomes uncontrolled. Check for the latest revision.

单击下面可查看定价，库存，交付和生命周期等信息

[>>TE Connectivity\(泰科\)](#)