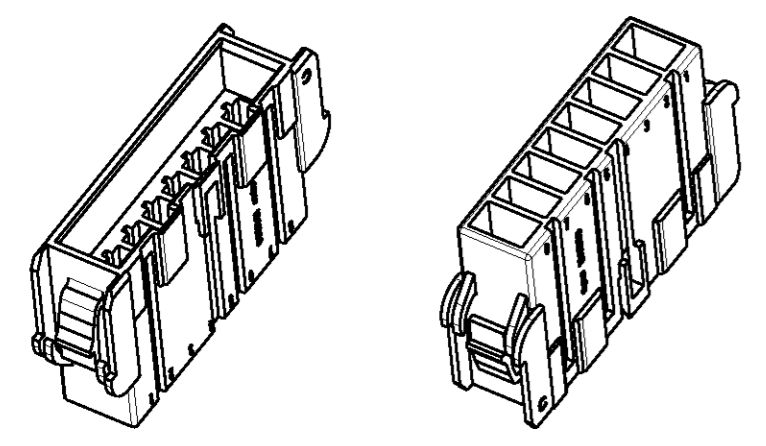
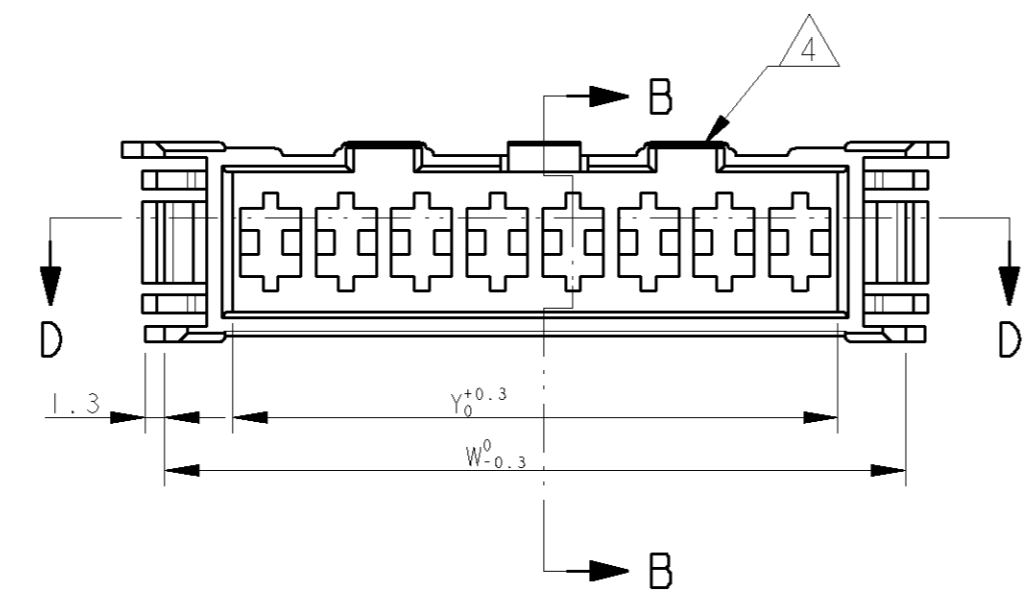


THIS DRAWING IS UNPUBLISHED. RELEASED FOR PUBLICATION 2003
 © COPYRIGHT 2003 BY TYCO ELECTRONICS CORPORATION. ALL RIGHTS RESERVED.

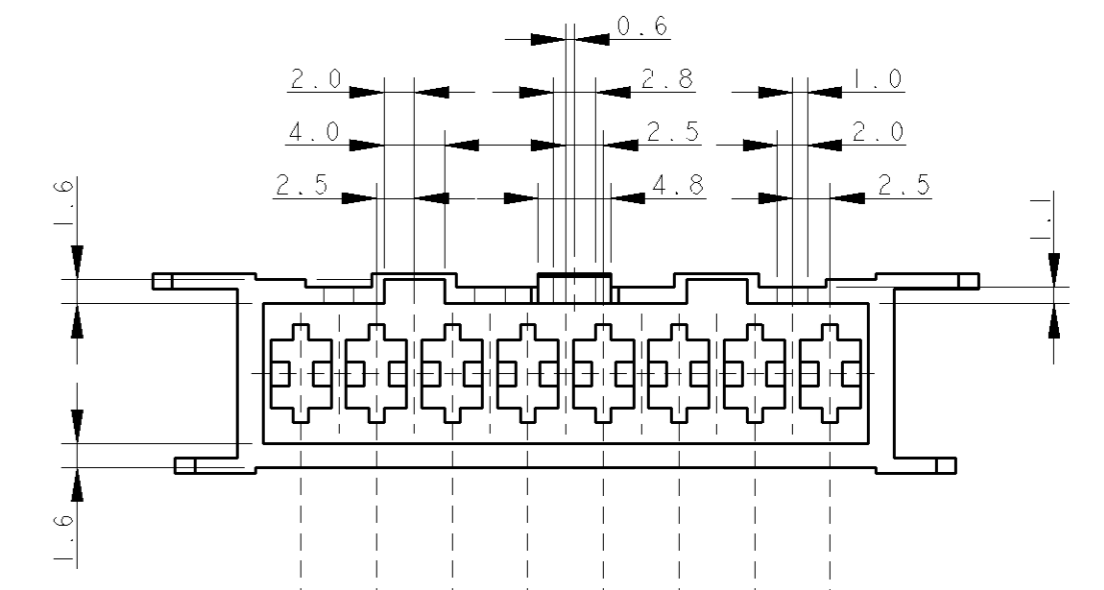
REVISIONS						
LOC	DIST	P	LTR	DESCRIPTION	DATE	APVD
		C		REDRAWN, ECR-05-009400.	-	HY GT



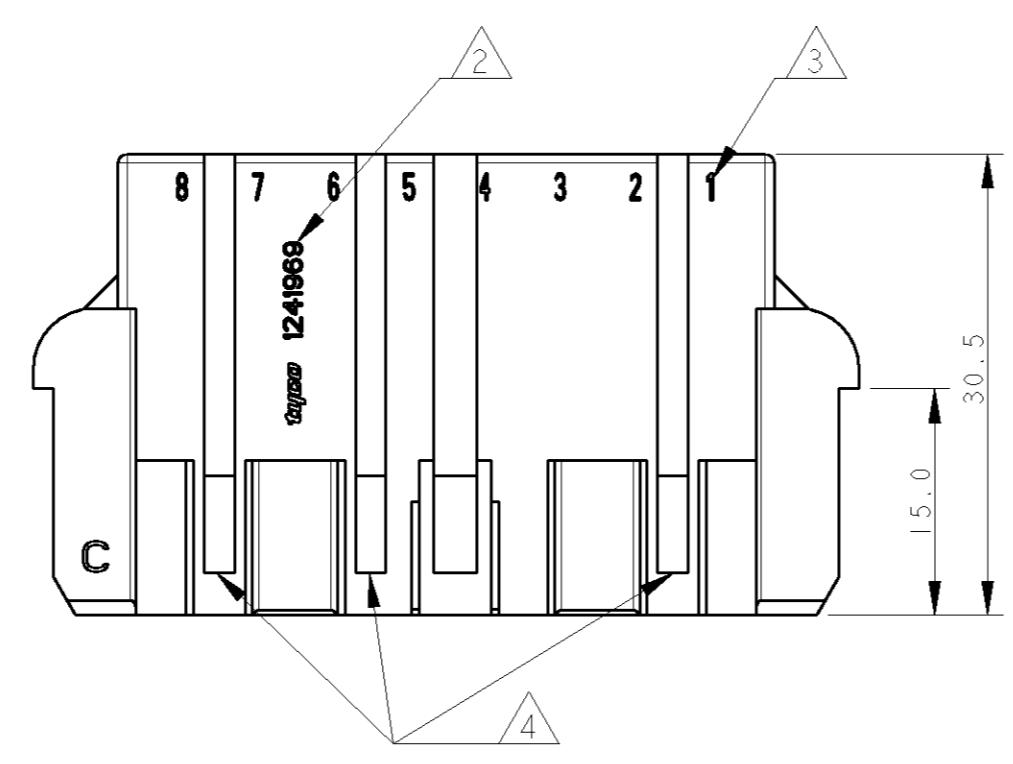
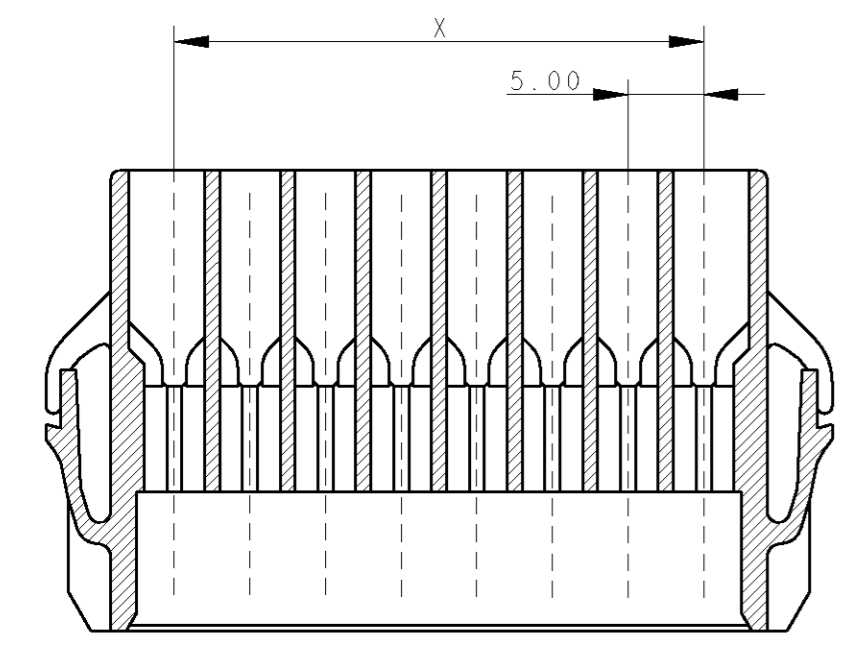
SCALE 1:1



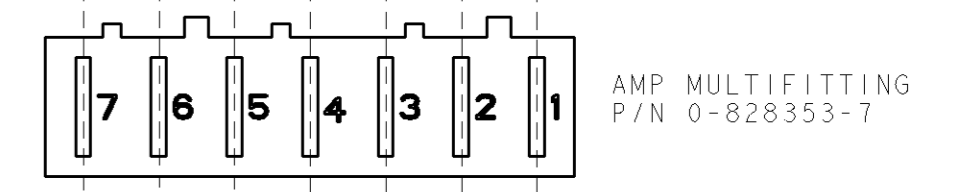
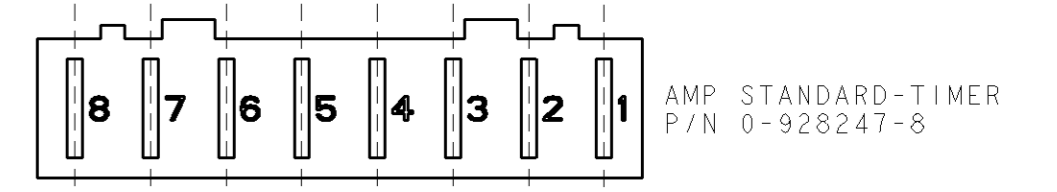
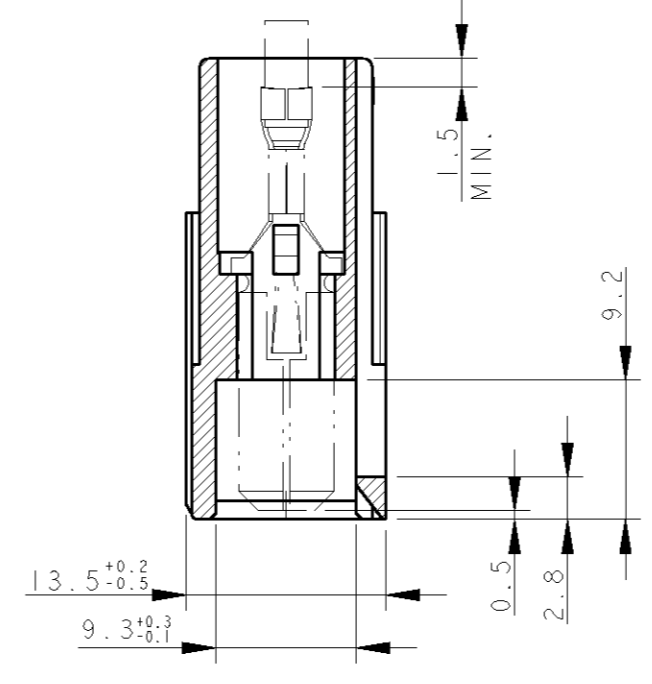
POLARIZATION KEYS SCHEME



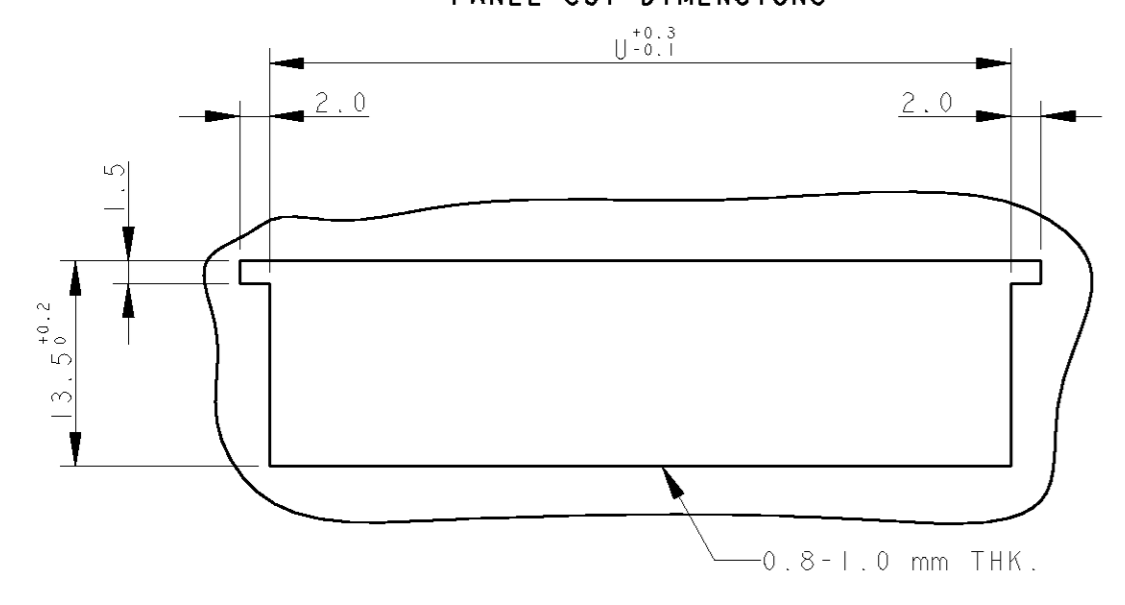
SECTION D-D



SECTION B-B



PANEL CUT DIMENSIONS



- 1 TYPICAL CAVITY SUITABLE FOR:
FASTIN-FASTON TAB CONTACTS 6.3 mm SRS:
P/N: 60294, 0.3-0.8 mm² WIRE RANGE
160691, 0.3-0.8 mm² WIRE RANGE
AMPLIVAR CONTACTS:
P/N: 141051, 0.1-0.5 mm² WIRE RANGE
142411, 0.3-1.6 mm² WIRE RANGE
MAX. INSULATION DIA. 2.8 mm.
MAX. INSULATION CRIMP WIDTH 3.3 mm.
- 2 TYCO TRADEMARK "LOGO" AND
TYCO ELECTRONICS "PART NUMBER"
OPTIONAL POSITION.
- 3 CIRCUIT IDENTIFICATION NUMBERS.
- 4 POLARIZATION KEYS DIMENSIONS AND POSITIONS
ARE ACCORDING TO "RAST 5" NORM
- 5 PA UNFILLED, UL 94-V2,
ACCORDING TO IEC 60335-1 NORM.
- 6 PA UNFILLED, UL 94-V2

POS.	U	W	X	Y	P/N	MATERIAL	COLOUR	REV.
12	69.0	69.0	55.0	60.0	-	-	-	-
11	64.0	64.0	50.0	55.0	-	-	-	-
10	59.0	59.0	45.0	50.0	-	-	-	-
9	54.0	54.0	40.0	45.0	-	-	-	-
8	49.0	49.0	35.0	40.0	5-1241969-8	SEE NOTE 5	NATUR	C
8	49.0	49.0	35.0	40.0	0-1241969-8	SEE NOTE 6	NATUR	C
6	39.0	39.0	25.0	30.0	-	-	-	-
5	34.0	34.0	20.0	25.2	-	-	-	-
4	29.0	29.0	15.0	20.2	-	-	-	-
3	24.0	24.0	10.0	15.2	-	-	-	-
2	19.0	19.0	5.0	10.2	-	-	-	-
					PARTS LIST			

THIS DRAWING IS A CONTROLLED DOCUMENT FOR TYCO ELECTRONICS CORPORATION IT IS SUBJECT TO CHANGE AND THE CONTROLLING ENGINEERING ORGANIZATION SHOULD BE CONTACTED FOR THE LATEST REVISION.		DWN H. Yaqali 18AUG2005 CHK G. Turco APVD - PRODUCT SPEC - APPLICATION SPEC - WEIGHT - CUSTOMER DRAWING	tyco Electronics tyco Electronics AMP Italia S.p.A. C.so F.lli Cervi, 15 COLLEGNO (TO)
DIMENSIONS: mm 	TOLERANCES UNLESS OTHERWISE SPECIFIED: 0 PLC ± 1 PLC ±0.2 2 PLC ± 3 PLC ± 4 PLC ± ANGLES ±° FINISH	NAME 2-12 POS. FASTIN-FASTON* Connectors TAB HOUSING, RAST 5 PANEL MOUNT VERSION	SIZE A2
MATERIAL SEE TABLE	DRAWING NO 1241969	RESTRICTED TO -	SCALE 1:2 SHEET 1 OF 1 REV C

单击下面可查看定价，库存，交付和生命周期等信息

[>>TE Connectivity\(泰科\)](#)