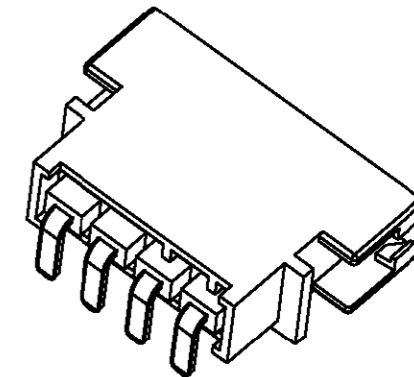
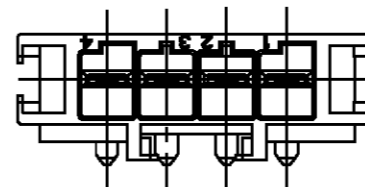
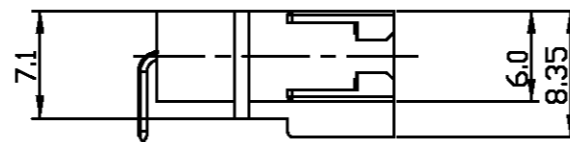
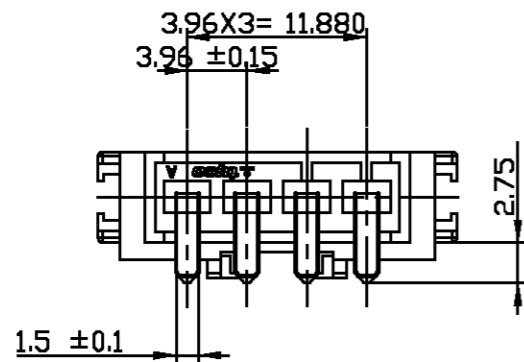
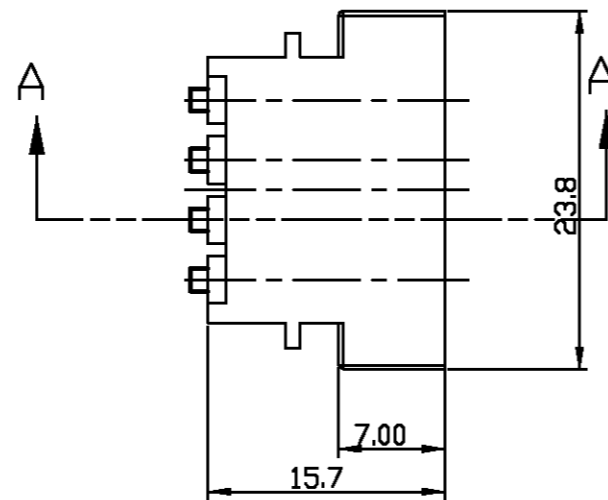


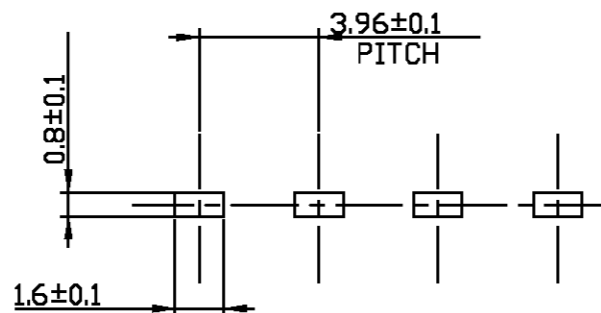
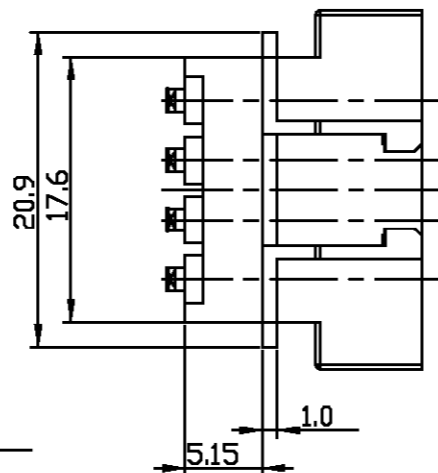
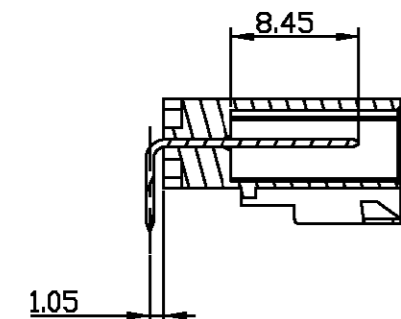
THIS DRAWING IS UNPUBLISHED. RELEASED FOR PUBLICATION

© COPYRIGHT BY TYCO ELECTRONICS CORPORATION. ALL RIGHTS RESERVED.

LOC	DIST	REVISIONS					
		P	LTR	DESCRIPTION	DATE	DWN	APVD
DS			A	RELEASED	AUG.10'06	BH	JK



SCALE 2:1



NOTES.
1.APPLICABLE CONN.: 1897007-X

1897005-1	CONTACT	BRASS	-
	HDR HSG	PA66	NATURAL
P/N	DESCRIPTION	MATERIAL	COLOR

DIMENSIONS: MM		TOLERANCES UNLESS OTHERWISE SPECIFIED:		DWN BH CHO		tyco AMP KOREA Electronics kyungsan,korea			
	0 PLC	±	±0.25	CHK	BW KANG	NAME HALL SENSOR 4P HDR ASS'Y			
	1 PLC	±		APVD	JK SONG				
	2 PLC	±		PRODUCT SPEC	108-61086				
	3 PLC	±		APPLICATION SPEC	-				
	4 PLC	±		WEIGHT	-				
MATERIAL		FINISH		CUSTOMER DRAWING		SIZE	CAGE CODE	DRAWING NO	RESTRICTED TO
SEE TABLE		-		-		A3	00779	©=1897005	-
				SCALE	2:1	SHEET	1 OF 1	REV	A

单击下面可查看定价，库存，交付和生命周期等信息

[>>TE Connectivity\(泰科\)](#)